

## Technical data sheet

### Connection cable

Part no.: 50108139

KB-ROD4-CP-10000

#### Contents

- Technical data
- Electrical connection

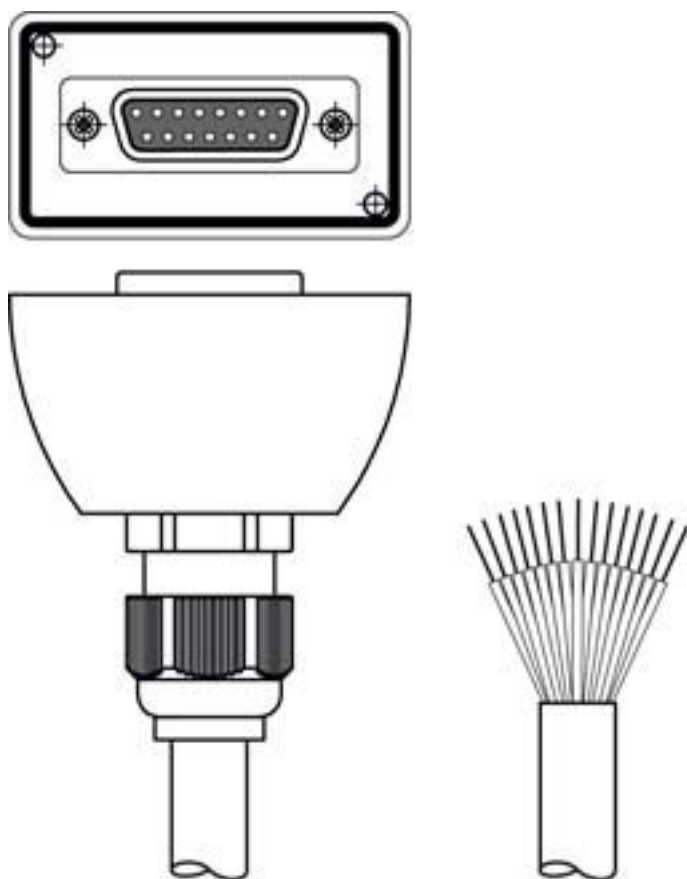


Figure can vary



## Technical data

### Basic data

Parameter memory	Yes
------------------	-----

### Electrical data

#### Performance data

Operating voltage	30 V AC/DC
-------------------	------------

### Connection

#### Connection 1

Type of connection	Sub-D
Type	Female
No. of pins	15 -pin
Version	Axial

#### Connection 2

Type of connection	Open end
--------------------	----------

#### Cable properties

Number of conductors	15 Piece(s)
Shielded	Yes
Cable design	Connection cable (open on one end)
Cable length	10,000 mm
Sheathing material	PVC
Suitability for drag chains	No

### Certifications

US patents	US 7,696,468 B
------------	----------------

### Classification

Customs tariff number	85444290
eCl@ss 5.1.4	27279201
eCl@ss 8.0	27279218
eCl@ss 9.0	27060311
eCl@ss 10.0	27060311
eCl@ss 11.0	27060311
ETIM 5.0	EC001855
ETIM 6.0	EC001855
ETIM 7.0	EC001855

## Electrical connection

### Connection 1

Type of connection	Sub-D
Type	Female
No. of pins	15 -pin
Version	Axial

### Connection 2

Type of connection	Open end
--------------------	----------