

Technical data sheet

Fastening

Part no.: 50121904

BT318B-OM

Contents

- Technical data
- Dimensioned drawings
- Accessories



Figure can vary

Technical data

Basic data

Suitable for	318 series sensors
--------------	--------------------

Mechanical data

Chemical designation, plastic mounting devices	Polyoxymethylene (POM)
--	------------------------

Design of mounting device	Mounting clamp
Type of fastening, at system	Through-hole mounting

Type of fastening, at device	Screw type
------------------------------	------------

Type of mounting device	Adjustable
	Swiveling
	Turning

Mounting device material	Plastic
--------------------------	---------

ITEM-compatible	No
-----------------	----

Classification

Customs tariff number	39269097
-----------------------	----------

eCl@ss 5.1.4	27279202
--------------	----------

eCl@ss 8.0	27279202
------------	----------

eCl@ss 9.0	27273701
------------	----------

eCl@ss 10.0	27273701
-------------	----------

eCl@ss 11.0	27273701
-------------	----------

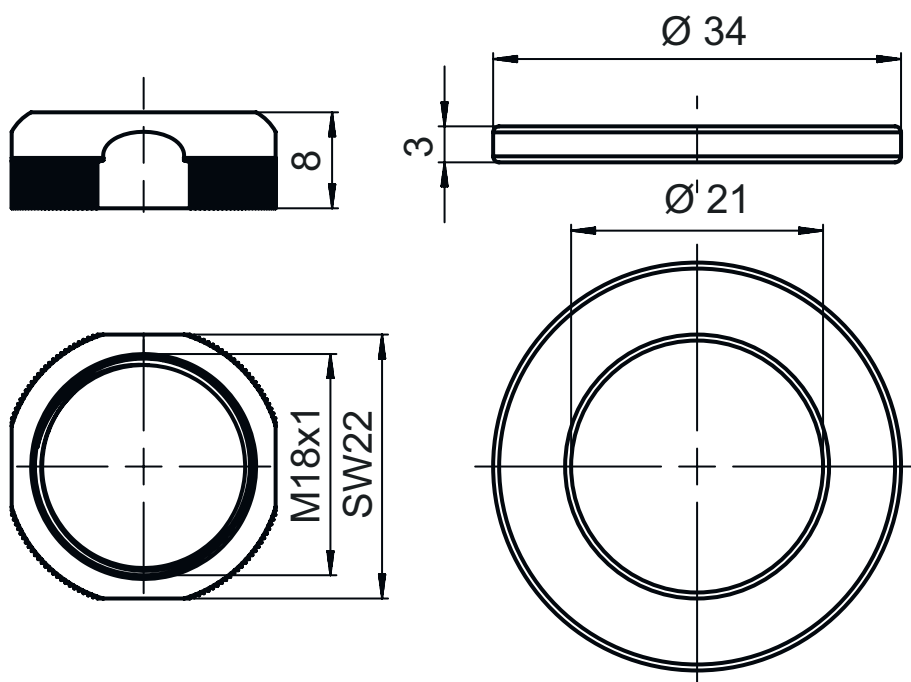
ETIM 5.0	EC002498
----------	----------

ETIM 6.0	EC003015
----------	----------


ETIM 7.0	EC003015
----------	----------

Dimensioned drawings

All dimensions in millimeters



Accessories**Mounting technology - Other**

	Part no.	Designation	Article	Description
	50117257	BT D21M	Mounting bracket	Diameter, inner: 21 mm Design of mounting device: Angle, L-shape Fastening, at system: Through-hole mounting Mounting bracket, at device: Screw type Type of mounting device: Adjustable Material: Metal

Note

↪ A list with all available accessories can be found on the Leuze website in the Download tab of the article detailed page.