

Technical data sheet Mounting bracket set

Part no.: 424421

BT-SB10

Contents

- Technical data
- Dimensioned drawings



Figure can vary

Technical data

Basic data

Suitable for	CML700i light curtains
	CSL 710 light curtains
	MLC 500, MLC 300 safety light curtains
	MLD 500, MLD 300 multiple light beam safety devices
	Single light beam safety devices MLD500

Mechanical data

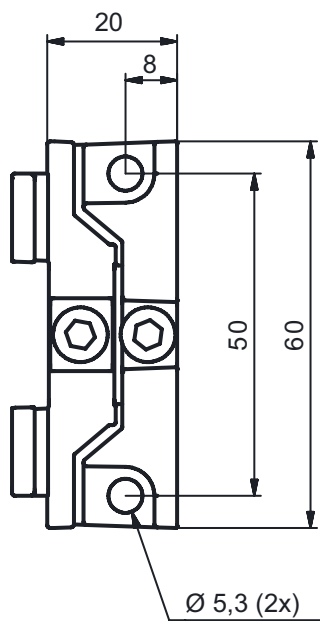
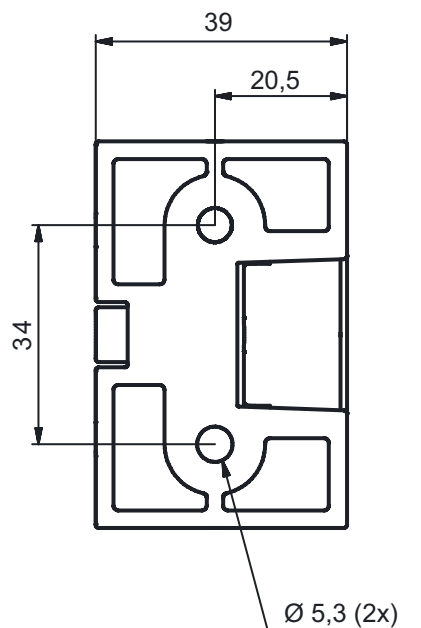
Design of mounting device	Mounting clamp
Type of fastening, at system	Through-hole mounting
Type of fastening, at device	Clampable
Type of mounting device	Swiveling
Swivel range	-8 ... 8 °
Mounting device material	Metal

Classification

Customs tariff number	79070000
eCl@ss 5.1.4	27279202
eCl@ss 8.0	27279202
eCl@ss 9.0	27273701
eCl@ss 10.0	27273701
eCl@ss 11.0	27273701
ETIM 5.0	EC002498
ETIM 6.0	EC003015
ETIM 7.0	EC003015

Dimensioned drawings

All dimensions in millimeters



Dimensioned drawings

Mounting variants

