

Technical data sheet

Transponder

Part no.: 50106413

TFM 05 1510.210

Contents

- Technical data
- Dimensioned drawings
- Notes
- Further information
- Accessories



Figure can vary



Technical data

Basic data

Series	TFM
Suitable for	RFM
Chip	I-CodeSLI
Working frequency	13.56 MHz

Electrical data

Performance data

Memory access	Read/Write
Memory size	112 B
Memory block	28 Piece(s)
Memory block size	4 B
Storage time	50 ms

Certifications

Standards applied	ISO 15693
-------------------	-----------

Mechanical data

Design	Disc
Thickness	2.5 mm
Outer diameter	50 mm
Inner diameter	5 mm
Housing material	Plastic
Plastic housing	PA 66
Net weight	4 g

Environmental data

Ambient temperature, operation	-25 ... 85 °C
Ambient temperature, storage	-40 ... 140 °C

Certifications

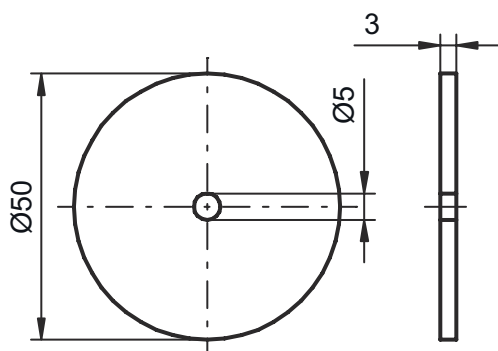
Degree of protection	IP 68
----------------------	-------

Classification

Customs tariff number	85235200
eCl@ss 5.1.4	27289200
eCl@ss 8.0	27289290
eCl@ss 9.0	27280402
eCl@ss 10.0	27280402
eCl@ss 11.0	27280402
ETIM 5.0	EC002498
ETIM 6.0	EC002996
ETIM 7.0	EC002996

Dimensioned drawings

All dimensions in millimeters



Notes



Observe intended use!




- ⌘ This product is not a safety sensor and is not intended as personnel protection.
- ⌘ The product may only be put into operation by competent persons.
- ⌘ Only use the product in accordance with its intended use.

Further information

- Under certain circumstances, metal in the reading field reduces the operating range considerably.

Accessories

Mounting technology - Other

	Part no.	Designation	Article	Description
	50107103	Spacer 50 HT	Spacer	Design, housing: Hollow cylinder Outer diameter: 50 mm Inner diameter: 5 mm Housing material: Plastic, PA 66

Note



A list with all available accessories can be found on the Leuze website in the Download tab of the article detailed page.