

DCR55

Stationary 2D-code reader

en 01-2017/12 50137586

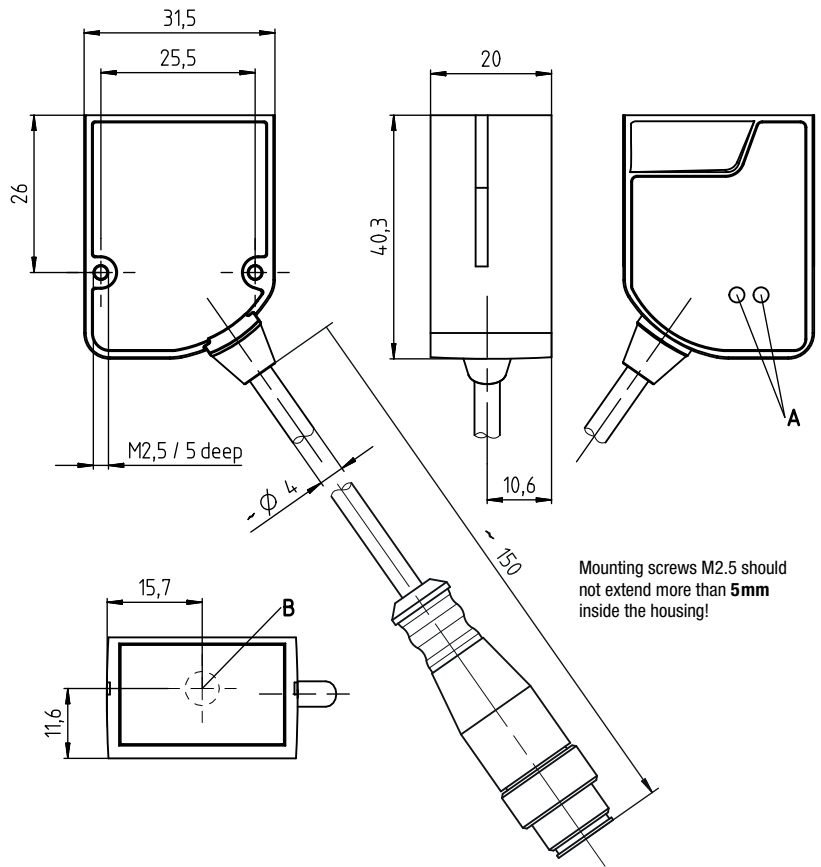


30 ... 425 mm



- CMOS Imager for all common 1D and 2D codes
- Very compact design
- Integrated decoder
- RS 232 or USB 2.0 interface
- Metal case
- Simple mounting and fastening

Dimensioned drawing



Mounting screws M2.5 should not extend more than **5mm** inside the housing!

- A** Status LEDs
- B** Center of optical axis

Electrical connection

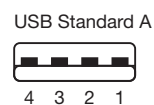
RS232 - cable

Wire color	Signal	Description	IN / OUT
Red	+5VDC	Power supply 5VDC	IN
Violet	GND	Power supply 0VDC / Ground	IN
Black	SW OUT	Switching output	OUT
Orange	SW IN	Switching input	IN
White	RS 232 RxD	Serial interface	IN
Green	RS 232 TxD	Serial interface	OUT

RS232 - M12 connector

5V DC +	1	WS/WH
SW IN	2	BR/BN
GND	3	GN/GN
SW OUT	4	GE/YE
NC	5	GR/GY
RS232 RxD	6	RS/PK
RS232 TxD	7	BL/BU
FE/Shield	8	RT/RD

USB



PIN	Signal
1	+ 5 V DC
2	Data-
3	Data+
4	GND

We reserve the right to make changes • PAL_DCR55_en_50137586.fm

Accessories:

(available separately)

- MA-CR Modular adapter unit (part no. 50128204)
- Connection cable, M12 socket straight, 8-pole A-coded, cable length 2m, shielded KD S-M12-8A-P1-020 (part no. 50135127)

Specifications

Optical data

Optical system	CMOS Imager, Rolling Shutter (1280x960)
Read range	30 ... 425mm
Resolution	1D codes: m = 0.190mm (7.5mil), distance dependent 2D codes: m = 0.127mm (5mil), distance dependent
Light source illumination	integrated LED (visible red light)
Light source target LED (aimer)	integrated LED (visible blue light)
Contrast	15% minimum

Code specifications

Code types	1D: BC412, Codabar, Code 11, Code 32, Code 39, Code 93, Code 128, IATA 2 of 5, Interleaved 2 of 5, GS1 DataBar, Hong Kong 2 of 5, Matrix 2 of 5, MSI Plessey, NEC 2 of 5, Pharmacode, Plessey, Straight 2 of 5, Telepen, Trioptic, UPC/EAN/JAN
	Stacked 1D: Codablock F, Code 49, GS1 Composite (CC-A/CC-B/CC-C), MicroPDF, PDF417
	2D: Aztec Code, Data Matrix, Han Xin, Micro QR Code, QR Code
Postal Codes:	Australian Post, Canada Post, Intelligent Mail, Japan Post, KIX Code, Korea Post, Planet, Postnet, UK Royal Mail, UPU ID-tags

Electrical data

Operating voltage U_B	4.75 ... 5.25VDC
Current consumption	max. 420mA

Indicators

LEDs	1 device status (PWR), 1 read status (GOOD READ)
------	---

Interface

Interface type	RS 232 or USB 2.0 (virtual COM, HID)
Baud rate RS232	300 ... 115.200Bd, configurable
Data formats RS232	configurable
Trigger	switching input (RS232 only, active/inactive = 0V/+5V or unwired) or Presentation Mode (Motion Control)
Switching output	RS232: NPN transistor output, max. 20mA (Good Read)

Mechanical data

Housing	metal, diecast aluminium
Weight	45g (without cable)
Dimensions (H x W x D)	20x31.5x40.3mm
Mounting	2 threaded holes M2.5, 5mm deep
Connection type	RS232: fixed cable, 2m long, 6 x 0.081 mm ² (6 x 28 AWG) or approx. 0.15m cable with M12 connector, 8-pole, A-coded USB: fixed cable, 1.8m long, with USB connector standard A

Environmental data

Ambient temperature (operation)	0°C ... +50°C
Ambient temperature (storage)	-20°C ... +60°C
Air humidity	10 ... 90% rel. humidity, non-condensing
Protection class	IP 54
Electromagnetic compatibility	EN 61000-6-4:2007 + A1:2011 EN 61000-6-2:2005 + AC:2005-09
Conformity	CE
Certifications	RoHs, UL 62368-1, CAN/CSA C22.2 No. 62368-1-14

Read ranges

Code type / resolution m	Typical reading distance [mm] ([inch])	
Code 39 / 0.190mm (7.5mil)	50 (2.0)	245 (9.6)
GS1 Databar / 0.267mm (10.5mil)	35 (1.4)	225 (8.9)
UPC / 0.330mm (13mil)	40 (1.5)	370 (14.6)
PDF417 / 0.147mm (5.8mil)	85 (3.3)	155 (6.1)
PDF417 / 0.170mm (6.7mil)	65 (2.6)	175 (6.9)
Data Matrix / 0.127mm (5mil)	75 (3.0)	90 (3.5)
Data Matrix / 0.160mm (6.3mil)	70 (2.8)	135 (5.3)
Data Matrix / 0.254mm (10mil)	50 (2.0)	205 (8.1)
Data Matrix / 0.528mm (20.8mil)	30 (1.2)	425 (16.7)

Order guide

CMOS imager for 1D and 2D codes with	Designation	Part No.
RS 232 interface, fixed cable, 2m long	DCR55M2/R2	50136772
RS 232 interface, 0.15m cable with M12 connector	DCR55M2/R2-150-M12.8	50136784
USB interface, fixed cable, 1.8m long	DCR55M2/UB-1800-S6	50136773

Remarks

Operate in accordance with intended use!

- ⚠ This product is not a safety sensor and is not intended as personnel protection.
- ⚠ The product may only be put into operation by competent persons.
- ⚠ Only use the product in accordance with the intended use.

● Features

Very small and light scan engine with integrated decoder for all common 1D and 2D codes.
Data transmission via configurable RS232 or USB 2.0 interface.

● Driver

USB driver for configuration of the DCR55 scanners:
Download
"LeAnalysisCollectionSetup" from www.leuze.com

● Reading field

