

Technical data sheet

Muting indicator

Part no.: 50135452

M7-V1-MW3-DS-C-T-M12-200

Contents

- Technical data
- Dimensioned drawings
- Electrical connection
- Notes



Figure can vary



Technical data

Basic data

Series	M7
Type of signaling	Optical

Optical data

Light source	White
--------------	-------

Electrical data

Life expectancy	> 100,000 h
-----------------	-------------

Performance data

Supply voltage U_B	24 V, AC/DC, 10 %
Current consumption, max.	58 mA

Connection

Number of connections	1 Piece(s)
-----------------------	------------

Connection 1

Function	Voltage supply
Type of connection	Cable with connector
Cable length	2,000 mm
Thread size	M12
Type	Male
Material	Metal
No. of pins	5 -pin
Encoding	A-coded

Mechanical data

Design	Cylindrical
Dimension (\varnothing x L)	70 mm x 200 mm
Housing material	Plastic
Plastic housing	PC
Housing color	Black Clear
Type of illuminant	LED/24V
Signal image	Continuous light
Lens color	Clear
Angle of radiation	360°

Environmental data

Ambient temperature, operation	-30 ... 60 °C
--------------------------------	---------------

Certifications

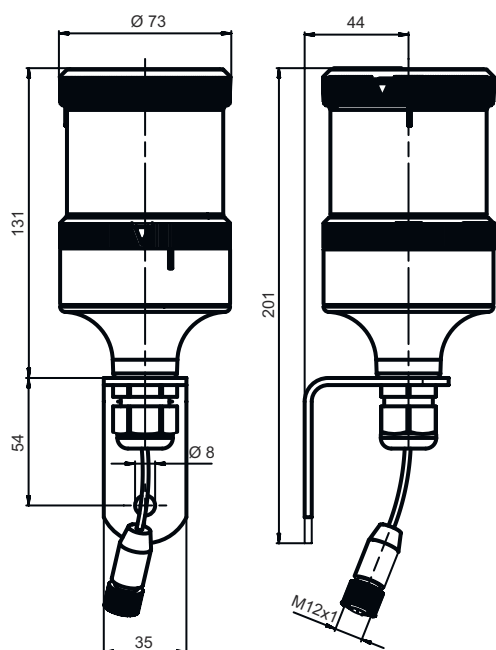
Degree of protection	IP 66
Certifications	c UL US CE

Classification

Customs tariff number	85318070
eCl@ss 5.1.4	27371230
eCl@ss 8.0	27371230
eCl@ss 9.0	27371220
eCl@ss 10.0	27371230
eCl@ss 11.0	27371230
ETIM 5.0	EC001042
ETIM 6.0	EC001042
ETIM 7.0	EC001042

Dimensioned drawings

All dimensions in millimeters





Electrical connection

Connection 1

Function	Voltage supply
Type of connection	Cable with connector
Cable length	2,000 mm
Cable color	Black
Thread size	M12
Type	Male
Material	Metal
No. of pins	5 -pin
Encoding	A-coded

Notes

 Observe intended use!	
	<ul style="list-style-type: none"> ⊘ This product is not a safety sensor and is not intended as personnel protection. ⊘ The product may only be put into operation by competent persons. ⊘ Only use the product in accordance with its intended use.