



BCL 604i Bar Code Reader



© 2015

Leuze electronic GmbH + Co. KG

In der Braike 1

D-73277 Owen / Germany

Phone: +49 7021 573-0

Fax: +49 7021 573-199

<http://www.leuze.com>

info@leuze.de

1	About this document	7
1.1	Used symbols and signal words	7
2	Safety	8
2.1	Intended use	8
2.2	Foreseeable misuse	8
2.3	Competent persons	8
2.4	Exemption of liability	9
2.5	Laser safety notices	9
2.5.1	Laser safety notices– laser class 2	9
3	Device description	12
3.1	Device overview	12
3.2	Performance characteristics	12
3.3	Device construction	14
3.4	Connection technology	15
3.5	Display elements	15
3.5.1	Structure of the control panel	15
3.5.2	Status display and operation	16
3.5.3	LED indicators	16
3.6	Operational controls	17
3.7	External parameter memory	18
4	Functions	19
4.1	autoReflAct	20
4.2	autoConfig	21
5	Reading techniques	22
5.1	Line scanner (single line)	22
5.2	Line scanner with oscillating mirror	22
5.3	Omnidirectional reading	23
6	Mounting	24
6.1	Device arrangement	24
6.1.1	Selecting a mounting location	24
6.1.2	Avoiding total reflection – Line scanner	24
6.1.3	Avoiding total reflection – oscillating-mirror scanner	25
6.1.4	Possible read angles between device and bar code	26
6.2	Installing the external parameter memory	26
7	Electrical connection	28
7.1	Overview	28
7.2	PWR – Voltage supply and switching inputs/outputs 3 and 4	29
7.3	SERVICE – USB interface (type A)	31
7.4	SW IN/OUT – Switching input/switching output	31
7.5	HOST / BUS IN	33
7.6	BUS OUT	33
7.7	PROFIBUS termination	34
7.8	Cable lengths and shielding	34
8	Menu description	35

8.1	The main menus	35
8.2	Parameter menu	35
8.3	Language selection menu	41
8.4	Service menu.....	41
8.5	Actions menu.....	41
8.6	Operation.....	42
9	Commissioning – Leuze electronic webConfig tool	45
9.1	Connecting the service USB interface	45
9.2	Installation	45
9.2.1	System requirements	45
9.2.2	Installing the USB driver	45
9.3	Starting the webConfig tool	45
9.4	Short description of the webConfig tool	46
9.5	Module overview in the Configuration menu	47
10	Starting up the device - Configuration	48
10.1	General information on the PROFIBUS implementation	48
10.1.1	Communication profile	48
10.1.2	Bus-access protocol	48
10.1.3	Device types	48
10.1.4	Expanded DP functions	49
10.1.5	Automatic baud rate detection	49
10.2	Measures to be performed prior to the initial commissioning	49
10.3	Setting the address	50
10.3.1	Setting the device address on the display	50
10.4	Commissioning via the PROFIBUS	51
10.4.1	General information	51
10.4.2	Preparing the control system for consistent data transmission	51
10.4.3	General information on the GSD file	51
10.4.4	Permanently defined parameters/device parameters	52
10.5	Overview of the project modules	55
10.6	Decoder modules	57
10.6.1	Modules 1-4 – Code table extensions 1 to 4	57
10.6.2	Module 5 – Code type features (symbology)	58
10.6.3	Module 7 – Code reconstruction technology	59
10.7	Control modules	60
10.7.1	Module 10 – Activations	60
10.7.2	Module 11 – Reading gate control	61
10.7.3	Module 12 – Multi-label	62
10.7.4	Module 13 – Fragmented read result	63
10.7.5	Module 14 – Interlinked read result	64
10.8	Result Format	64
10.8.1	Module 20 – Decoder state	64
10.8.2	Modules 21-27 – Decoding result	65
10.8.3	Module 30 – Data formatting	67
10.8.4	Module 31 – Reading gate number	67
10.8.5	Module 32 – Reading gate time	68
10.8.6	Module 33 – Code position	68
10.8.7	Module 34 – Reading reliability (equal scans)	69
10.8.8	Module 35 – Bar code length	69
10.8.9	Module 36 – Scans with information	69
10.8.10	Module 37 – Decoding quality	70
10.8.11	Module 38 – Code direction	70
10.8.12	Module 39 – Number of digits	70
10.8.13	Module 40 – Code type	71

10.8.14	Module 41 – Code position in the swivel range	71
10.9	Data Processing	72
10.9.1	Module 50 – Characteristics filter	72
10.9.2	Module 51 – Data filtering	73
10.10	Identifier	73
10.10.1	Module 52 – Segmentation according to the EAN process	73
10.10.2	Module 53 – Segmentation via fixed positions	74
10.10.3	Module 54 – Segmentation according to identifier and separator	76
10.10.4	Module 55 – String handling parameters	77
10.11	Device Functions	78
10.11.1	Module 60 – Device status	78
10.11.2	Module 61 – Laser control	79
10.11.3	Module 62 – Display	79
10.11.4	Module 63 – Alignment	80
10.11.5	Module 64 – Oscillating mirror	81
10.11.6	Module 65 – Deflection mirror	81
10.12	Switching inputs/ outputs SWIO 1 ... 4	82
10.12.1	Parameters for operating as an output	82
10.12.2	Parameters for operating as an input	83
10.12.3	Switch-on and switch-off functions for operation as an output	85
10.12.4	Input functions for operation as an input	85
10.12.5	Module 70 – Switching input/output SWIO1	86
10.12.6	Module 71 – Switching input/output SWIO2	87
10.12.7	Module 72 – Switching input/output SWIO3	88
10.12.8	Module 73 – Switching input/output SWIO4	90
10.12.9	Module 74 – SWIO status and control	91
10.13	Data output	92
10.13.1	Module 80 – Sorting	92
10.14	Reference code comparison	93
10.14.1	Module 81 – Reference code comparator 1	93
10.14.2	Module 82 – Reference code comparator 2	95
10.14.3	Module 83 – Reference code comparison pattern 1	96
10.14.4	Module 84 – Reference code comparison pattern 2	96
10.15	Special Functions	97
10.15.1	Module 90 – Status and control	97
10.15.2	Module 91 – AutoRefAct (automatic reflector activation)	98
10.15.3	Module 92 – AutoControl	98
10.16	Example configuration: Indirect activation via the PLC	99
10.16.1	Task	99
10.16.2	Procedure	100
10.17	Sample configuration: Direct activation via the switching input	100
10.17.1	Task	100
10.17.2	Procedure	101
11	Care, maintenance and disposal	103
11.1	Cleaning	103
11.2	Servicing	103
11.3	Disposing	103
12	Diagnostics and troubleshooting	104
12.1	General causes of errors	104
12.2	Interface errors	104
13	Service and support	105
13.1	What to do should servicing be required?	105

14	Technical data	106
14.1	General specifications	106
14.1.1	Line scanner	106
14.1.2	Oscillating-mirror scanner	107
14.2	Dimensioned drawings	109
14.3	Dimensioned drawings: Accessories	111
14.4	Reading field curves / optical data	112
14.5	Reading field curves	112
14.5.1	Medium Density (M) - optics	114
14.5.2	Low Density (F) - optics	115
15	Ordering information and accessories	117
15.1	Nomenclature	117
15.2	Type overview	117
15.3	Accessories	117
16	EC Declaration of Conformity	120
17	Appendix	121
17.1	ASCII character set	121
17.2	Bar code samples	125
17.2.1	Module 0.3	125
17.2.2	Module 0.5	126

1 About this document

1.1 Used symbols and signal words

Table 1.1: Warning symbols and signal words


	Symbol indicating dangers to persons
NOTICE	Signal word for property damage Indicates dangers that may result in property damage if the measures for danger avoidance are not followed.

Table 1.2: Other symbols



	Symbol for tips Text passages with this symbol provide you with further information.
	Symbols for action steps Text passages with this symbol instruct you to perform actions.

Table 1.3: Terms and abbreviations

BCL	Bar code reader
CRT	Code reconstruction technology

2 Safety

This sensor was developed, manufactured and tested in line with the applicable safety standards. It corresponds to the state of the art.


2.1 Intended use

The device is designed as a stationary high-speed scanner with integrated decoder for all common bar codes for automatic object detection.

Areas of application

The device is specially designed for the following areas of application:

- Object identification on fast-moving conveyor lines
- Omnidirectional reading


 CAUTION
<p>Comply with conditions and regulations!</p> <p>↳ Observe the locally applicable legal regulations and the rules of the employer's liability insurance association.</p>

2.2 Foreseeable misuse

Any use other than that defined under “Intended use” or which goes beyond that use is considered improper use.

In particular, use of the device is not permitted in the following cases:

- Rooms with explosive atmospheres
- Circuits relevant to safety
- For medicinal purposes

 CAUTION
<p>Do not modify or otherwise interfere with the device.</p> <p>↳ Do not carry out modifications or otherwise interfere with the device.</p> <p>The device must not be tampered with and must not be changed in any way.</p> <p>The device must not be opened. There are no user-serviceable parts inside.</p> <p>Repairs must only be performed by Leuze electronic GmbH + Co. KG.</p>

2.3 Competent persons

Connection, mounting, commissioning and adjustment of the device must only be carried out by competent persons.

Prerequisites for competent persons:

- They have a suitable technical education.
- They are familiar with the rules and regulations for occupational safety and safety at work.
- They are familiar with the technical description of the device.
- They have been instructed by the responsible person on the mounting and operation of the device.

Certified electricians

Electrical work must be carried out by a certified electrician.

Due to their technical training, knowledge and experience as well as their familiarity with relevant standards and regulations, certified electricians are able to perform work on electrical systems and independently detect possible dangers.

In Germany, certified electricians must fulfill the requirements of accident-prevention regulations BGV A3 (e.g. electrician foreman). In other countries, there are respective regulations that must be observed.


2.4 Exemption of liability


Leuze electronic GmbH + Co. KG is not liable in the following cases:

- The device is not being used properly.
- Reasonably foreseeable misuse is not taken into account.
- Mounting and electrical connection are not properly performed.
- Changes (e.g., constructional) are made to the device.

2.5 Laser safety notices

2.5.1 Laser safety notices– laser class 2

	ATTENTION, LASER RADIATION – LASERCLASS2
<p>Never look directly into the beam!</p> <p>The device fulfills the IEC 60825-1:2007 (EN 60825-1:2007) requirements for a product in laser class 2 as well as the U.S. 21 CFR 1040.10 regulations with deviations corresponding to “Laser Notice No. 50” from June 24th, 2007.</p> <ul style="list-style-type: none"> ↳ Never look directly into the laser beam or in the direction of reflecting laser beams. If you look into the beam path over a longer time period, there is a risk of injury to the retina. ↳ Do not point the laser beam of the device at persons! ↳ Interrupt the laser beam using a non-transparent, non-reflective object if the laser beam is accidentally directed towards a person. ↳ When mounting and aligning the device, avoid reflections of the laser beam off reflective surfaces! ↳ CAUTION! The use of operating or adjusting devices other than those specified here or carrying out of differing procedures may lead to dangerous exposure to radiation. ↳ Adhere to the applicable legal and local regulations regarding protection from laser beams. ↳ The device must not be tampered with and must not be changed in any way. There are no user-serviceable parts inside the device. Repairs must only be performed by Leuze electronic GmbH + Co. KG. 	

	CAUTION
<p>Affix laser information and warning signs!</p> <p>Laser information and warning signs attached to the device(see figure 2.1). Also included with the device are self-adhesive laser warning and laser information signs (stick-on labels) in multiple languages (see figure 2.3).</p> <ul style="list-style-type: none"> ↳ Affix the laser information sheet to the device in the language appropriate for the place of use. When using the device in the US, use the stick-on label with the “Complies with 21 CFR 1040.10” notice. ↳ Affix the laser information and warning signs near the device if no signs are attached to the device (e.g. because the device is too small) or if the attached laser information and warning signs are concealed due to the installation position. Affix the laser information and warning signs so that they are legible without exposing the reader to the laser radiation of the device or other optical radiation. 	

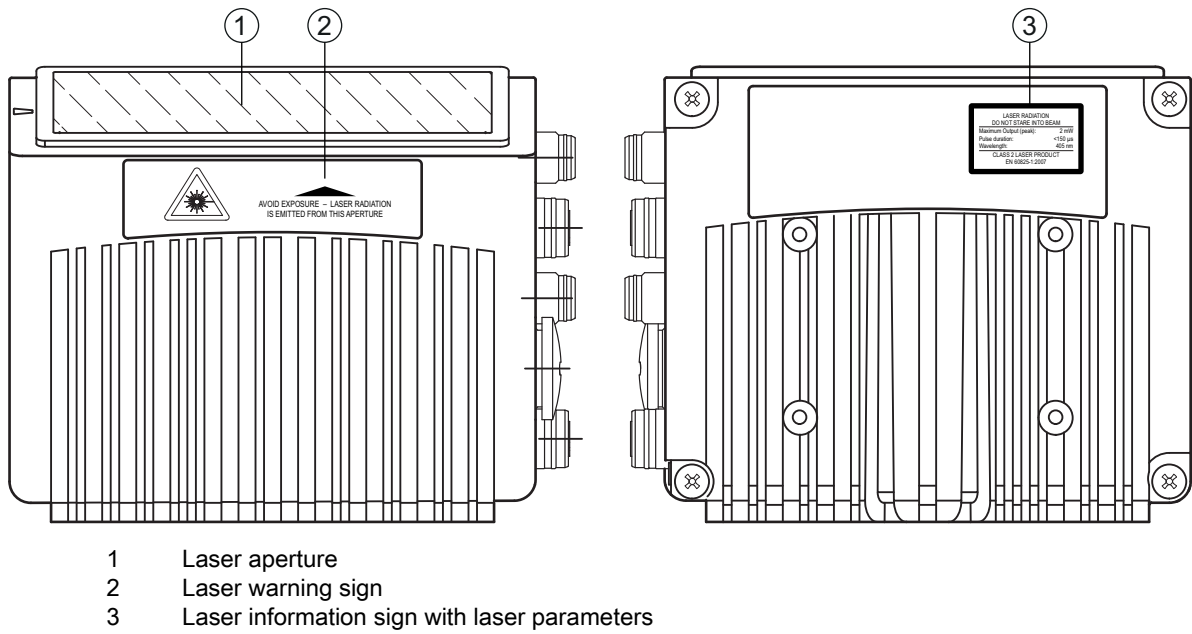


Figure 2.1: Laser aperture, laser warning and information signs - line scanner

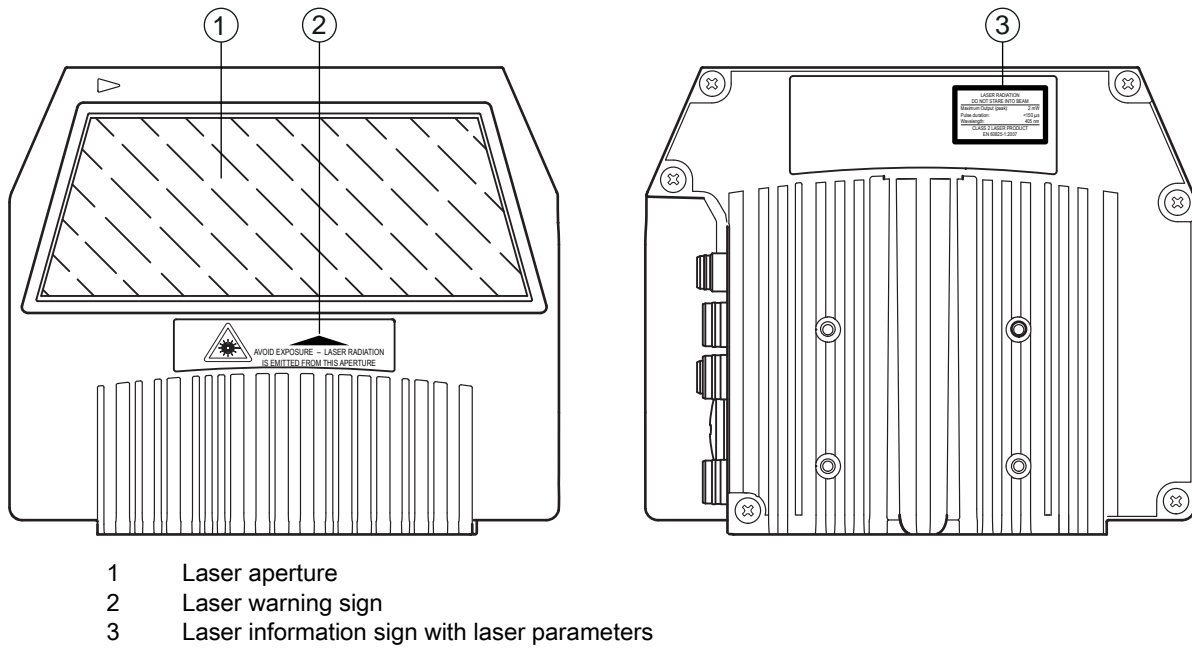


Figure 2.2: Laser aperture, laser warning and information signs - oscillating-mirror scanner



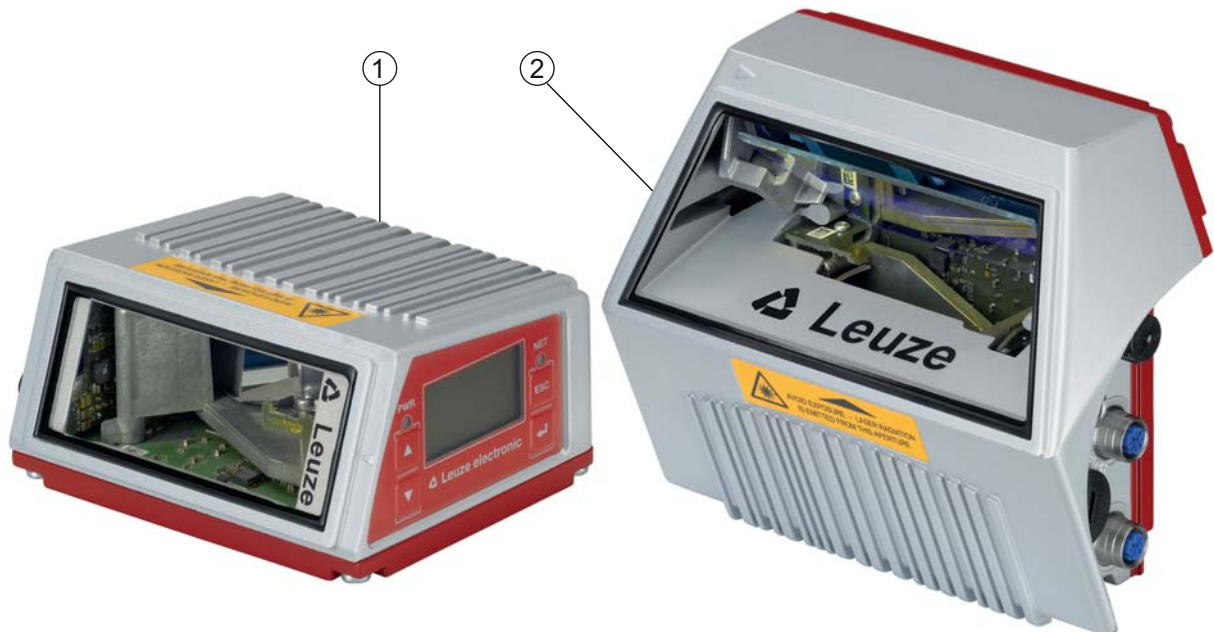
Figure 2.3: Laser warning and information signs – supplied stick-on labels

3 Device description

3.1 Device overview

Bar code readers of the BCL 600i series are high-speed scanners with integrated decoder for all commonly used bar codes, e.g. 2/5 Interleaved, Code 39, Code 128, EAN 8/13 etc., as well as codes from the GS1 DataBar family.

Bar code readers of the BCL 600i series are available in various optics models and as line scanners and oscillating mirrors.



- 1 Line scanner
- 2 Oscillating-mirror scanner

Figure 3.1: Line scanner and oscillating-mirror scanner

The extensive options for device configuration via display or software enable adaptation to a multitude of reading tasks. Due to the large reading distance combined with the great depth of field and a very compact construction, the device is ideally suited for package and pallet transportation systems. In general, the bar code readers of the BCL 600i series are designed for the conveyor and storage technology market.

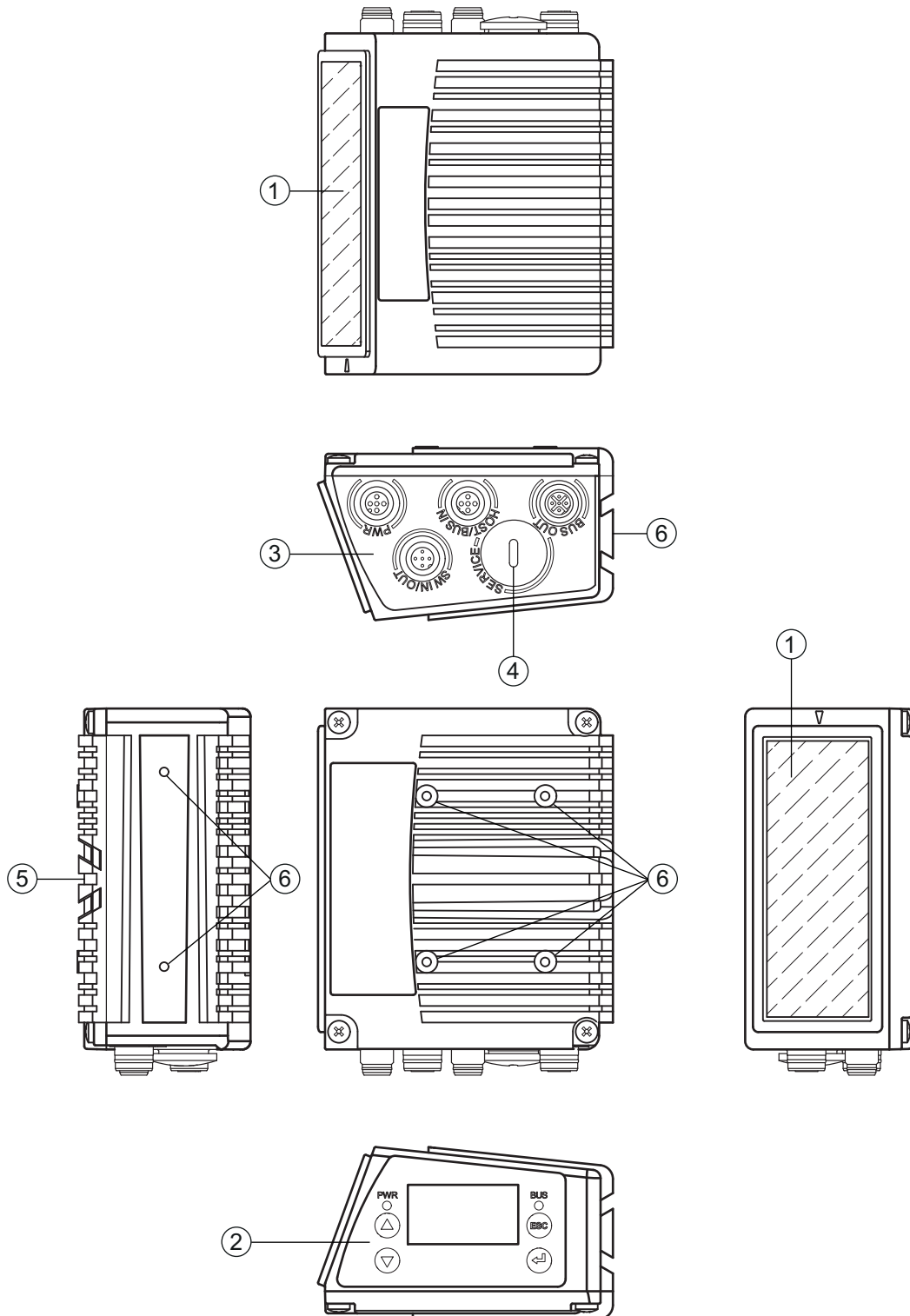
The interfaces (RS 232, RS 485 and RS 422) integrated in the various device models and the fieldbus systems (Profibus DP, PROFINET-IO, Ethernet TCP/IP / UDP and Ethernet/IP) of the BCL 600i series bar code readers offer optimum connection to the superior host system.

3.2 Performance characteristics

- Integrated fieldbus connectivity = i -> Plug-and-Play fieldbus coupling and easy networking
- Numerous interface variants facilitate connection to the superior systems
 - RS 232, RS 422 as well as with integrated multiNet plus master
 - RS 485 and multiNet plus slave
 - alternatively, various fieldbus systems, such as
 - PROFINET-IO
 - Ethernet TCP/IP
 - Ethernet /IP
 - Ethernet
 - PROFIBUS DP

- Integrated code reconstruction technology (CRT) enables the identification of soiled or damaged bar codes
- Maximum depth of field and reading distances from 400 mm to 1450 mm
- Large optical opening angle and, thus, large reading field width
- High scanning rate of 800 / 1000 scans/s for fast reading tasks
- Intuitive, backlit, multi-language display with user-friendly menu navigation
- Integrated USB 1.1 service interface
- Adjustment of all device parameters with a web browser
- Connection options for an external parameter memory
- Easy alignment- and diagnostics functions
- M12 connections with Ultra-Lock™ technology
- Four freely programmable switching inputs/outputs for the activation or signaling of states
- Automatic monitoring of the read quality with autoControl
- Automatic recognition and setting of the bar code type using autoConfig
- Reference code comparison
- Heavy-duty housing of degree of protection IP 65

3.3 Device construction



- 1 Reading window
- 2 Control panel with display, LEDs and buttons
- 3 M12 connection technology
- 4 USB interface
- 5 Dovetail mounting
- 6 M4 mounting thread

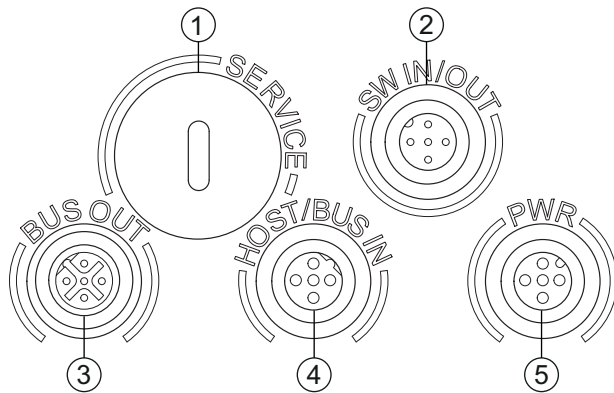
Figure 3.2: Device construction

3.4 Connection technology

The bar code readers are connected using variously coded M12 connectors. This ensures unique connection assignments.

The additional USB interface is used for configuring the device.

For the locations of the individual device connections, please refer to the device detail shown below.

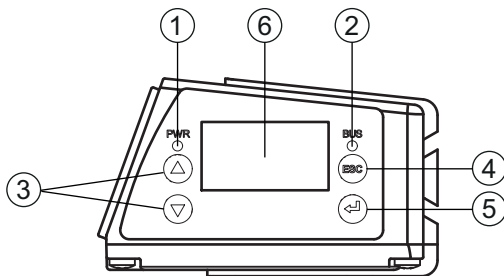


- 1 Service, USB socket, type A
- 2 SW In/Out, M12 socket (A-coded)
- 3 Bus Out, M12 socket (D-coded)
- 4 Host/Bus In, M12 socket (D-coded)
- 5 PWR, M12 plug (A-coded)

Figure 3.3: Location of the electrical connections

3.5 Display elements

3.5.1 Structure of the control panel



- 1 LED PWR
- 2 LED NET
- 3 Navigation buttons
- 4 Escape button
- 5 Enter button
- 6 Display

Figure 3.4: Structure of the control panel

3.5.2 Status display and operation

Indicators in the display

Table 3.1: Status displays of the switching inputs/outputs

IO1	Switching input or switching output 1 active (function dependent on set configuration). Default: Switching input with the "Reading gate activation" function
IO2	Switching input or switching output 2 active (function dependent on set configuration). Default: Input with the "Teach-in" function
IO3	Switching input or switching output 3 active (function dependent on set configuration). Default: Switching input with the "Reading gate activation" function
IO4	Switching input or switching output 4 active (function dependent on set configuration). Default: Switching output with the "No read" function
ATT	Warning (Attention)
ERR	Internal device error (Error) -> The device must be sent in for inspection

Bar graph

The read quality is described on a scale of 0 - 100 %. The quality is evaluated based on the "Equal Scans" of the read result configured in the bar code reader.

Table 3.2: Status display of the USB interface

USB	The device is connected to a PC via the USB interface.
MS	An external parameter memory is properly connected to the USB interface of the device.

Read result

The read bar code information is displayed.

3.5.3 LED indicators

PWR LED

Off	Device OFF <ul style="list-style-type: none"> No supply voltage
Flashes green	Device ok, initialization phase <ul style="list-style-type: none"> No bar code reading possible Voltage connected Self test running Initialization running
Green, continuous light	Device OK <ul style="list-style-type: none"> Bar code reading possible Self test successfully finished Device monitoring active




Orange, continuous light	<p>Service mode</p> <ul style="list-style-type: none"> • Bar code reading possible • Configuration via the USB service interface • Configuration via the display • No data on the host interface
Flashes red	<p>Device ok, warning set</p> <ul style="list-style-type: none"> • Bar code reading possible • Temporary operating fault
Red, continuous light	<p>Device error / parameter enable</p> <ul style="list-style-type: none"> • No bar code reading possible

NET LED

Off	<p>No supply voltage</p> <ul style="list-style-type: none"> • No communication possible • Profibus DP communication not initialized or inactive
Flashes green	<p>Initialization</p> <ul style="list-style-type: none"> • of the device, establishing communication
Green, continuous light	<p>Operation OK</p> <ul style="list-style-type: none"> • Network mode ok • Connection and communication to IO controller (PLC) established (data exchange)
Flashes red	<p>Communication error</p> <ul style="list-style-type: none"> • Parameterization or configuration failed (parameter failure) • IO error • No data exchange
Red, continuous light	<p>Network error</p> <ul style="list-style-type: none"> • No communication (protocol) to IO controller established (no data exchange)

3.6 Operational controls




Navigating within the menus

Use the navigation buttons   to move through the menu. Activate the desired selection with the enter button .

Press the escape button  to move up one menu level.

When one of the buttons is actuated, the display illumination is activated for 10min.

Setting values

Set the desired value with the navigation buttons   and the enter button .

An accidental incorrect entry can be corrected by selecting the left arrow button and then pressing the enter button.

Then use the navigation buttons to select **save** and save the set value by pressing the enter button.

Selecting options

Set the desired option with the navigation buttons   and the enter button .

3.7 External parameter memory

The optionally available external parameter memory – based on a USB memory stick (compatible with version 1.1) – is housed in an external hood with integrated connectors which cover the USB service interface when installed (IP 65).

The external parameter memory makes it easy and reduces the time needed to replace a device on site by providing a copy of the current parameter set of the device. This eliminates the need to configure the exchanged device manually.

The delivery contents of the external parameter memory include the hood with integrated connectors with unscrewable cover and the USB memory stick.



To mount, the cover of the service interface must be unscrewed. Then take the USB memory stick and plug it into the USB connection on the device. Then, take the connector hood of the USB memory stick and screw this over the plugged-in USB memory stick to the service interface to close the system and ensure degree of protection IP 65.

4 Functions

General information

The integrated fieldbus connectivity = i contained in the bar code readers of the BCL 600i series facilitates the use of identification systems which function without connection unit or gateways. The integrated fieldbus interface considerably simplifies handling. The Plug-and-Play concept enables easy networking and very simple commissioning: Directly connect the respective fieldbus and all configuration is performed with no additional software.

For decoding bar codes, the bar code readers of the BCL 600i series make available the proven CRT decoder with code reconstruction technology:

The proven code reconstruction technology (CRT) enables bar code readers of the BCL 600i series to read bar codes with a small bar height, as well as bar codes with a damaged or soiled print image.

With the aid of the CRT decoder, bar codes can also be read without problem in other demanding situations, such as with a large tilt angle (azimuth angle or even twist angle).



Figure 4.1: Possible bar code orientation

With the BCL 604i, configuration is generally performed with the aid of the GSD file.

The device needs a suitable activation to start a read process as soon as an object is in the reading field. This opens a time window (reading gate) in the device for the read process during which the bar code reader has time to detect and decode a bar code.

In the basic setting, triggering takes place through an external reading cycle signal. Alternative activation options include online commands via the host interface and the autoReflAct function. In the basic setting, triggering takes place through an external reading cycle signal or via the PROFIBUS. An alternative option for activation is the autoReflAct function.

In the basic setting, triggering takes place through an external reading cycle signal. Alternative activation options include online commands via the host interface and the autoReflAct function. Through the read operation, the device collects additional useful pieces of data for diagnosis which can also be transmitted to the host. The quality of the read operation can be inspected using the alignment mode which is integrated in the webConfig tool.

A multi-language display with buttons is used to operate the device as well as for visualization purposes. Two LEDs provide additional optical information on the current operating state of the device.

The four freely configurable switching inputs/outputs SWIO 1 ... SWIO 4 can be assigned various functions and control e.g. activation of the device or external devices, such as a PLC.

System, warning and error messages provide assistance in setup/troubleshooting during commissioning and read operation.

4.1 autoReflAct

autoReflAct stands for **automatic Reflector Activation** and permits an activation without additional sensors. This is achieved by directing the scanner with reduced scanning beam towards a reflector mounted behind the conveyor path. As long as the scanner is targeted at the reflector, the reading gate remains closed. If, however, the reflector is blocked by an object such as a container with a bar code label, the scanner activates the read procedure, and the label on the container is read. When the path from the scanner to the reflector has cleared, the read procedure has completed and the scanning beam is reduced and again directed onto the reflector. The reading gate is closed.



You will find a matching reflector in Accessories, and more are available on request.



Figure 4.2: Reflector arrangement for autoReflAct

The autoReflAct function uses the scanning beam to simulate a photoelectric sensor and thus permits an activation without additional sensors.

4.2 autoConfig

With the autoConfig function, the device offers an extremely simple and convenient configuration option to users who only want to read one code type (symbology) with one number of digits at a time.

After starting the autoConfig function via the display, switching input or from a superior control, it is sufficient to position a bar code label with the desired code type and number of digits in the reading field of the device.

Afterward, bar codes with the same code type and number of digits are recognized and decoded.



The settings made via display or webConfig configuration tool push the parameters set in the Profibus only temporarily into the background. They are overwritten during integration into the Profibus or when the parameter enable is deactivated!

Device settings for operating the device on the Profibus are managed and configured exclusively by the Profibus controller (PLC). Permanent changes must be carried out here!

For further information, see chapter 10 "Starting up the device - Configuration".

5 Reading techniques

5.1 Line scanner (single line)

A line (scan line) scans the label. Due to the opt. opening angle, the reading field width is dependent on the read distance. Through the movement of the object, the entire bar code is automatically transported through the scan line.

The integrated code reconstruction technology permits twisting of the bar code (tilt angle) within certain limits. These are dependent on the transport speed, the scanning rate of the scanner and the bar code properties.

Areas of application of the line scanner

The line scanner is used:

- when the bars of the bar code are printed in the conveying direction ('ladder arrangement').
- with bar codes having very short bar lengths.
- when the ladder code is turned out of the vertical position (tilt angle).
- when the reading distance is large.



Figure 5.1: Deflection principle for the line scanner

5.2 Line scanner with oscillating mirror

The oscillating mirror deflects the scan line additionally to both sides across the scan direction at a randomly adjustable oscillation frequency. In this way, the device can also scan larger areas or spaces for bar codes. The reading field height (and the scan line length useful for evaluation) depends on the reading distance due to the optical opening angle of the oscillating mirror.

Areas of application of the line scanner with oscillating mirror

For line scanners with oscillating mirror, oscillation frequency, start/stop position etc. are adjustable. It is used:

- when the position of the label is not fixed, e.g. on pallets – various labels can, thus, be detected at various positions.
- when the bars of the bar code are printed perpendicular to the conveying direction (“picket fence arrangement”).
- when reading stationary objects.
- when the bar code is turned out of the horizontal position.
- when the reading distance is large.
- when a large reading field (reading window) has to be covered.



Figure 5.2: Deflection principle for the line scanner with oscillating mirror add-on

5.3 Omnidirectional reading

In order to read arbitrarily oriented bar codes on an object, at least 2 bar code readers are necessary. If the bar code is not printed over-square, i.e. bar length > code length, bar code readers with integrated code reconstruction technology are necessary.

Figure 5.3: Principle arrangement for omnidirectional reading

6 Mounting

The bar code readers can be mounted in different ways:

- Using two M4x6 screws on the rear of the device or using four M4x6 screws on the bottom of the device (see figure 3.2).
- Using a BT 56 mounting device on the two fastening grooves (see figure 14.3).
- Using a BT 59 mounting device on the two fastening grooves (see figure 14.4).

6.1 Device arrangement

6.1.1 Selecting a mounting location

In order to select the right mounting location, several factors must be considered:

- Size, orientation, and position tolerance of the bar codes on the objects to be scanned.
- The reading field of the device in relation to the bar code module width.
- The resulting minimum and maximum reading distance from the respective reading field (see chapter 14.4 "Reading field curves / optical data").
- The permissible cable lengths between the device and the host system depending on which interface is used.
- The correct time for data output. The device should be positioned in such a way that, taking into consideration the time required for data processing and the conveyor belt speed, there is sufficient time to e.g. initiate sorting operations on the basis of the read data.
- The display and control panel should be very visible and accessible.
- For configuring and commissioning with the webConfig tool, the USB interface should be easily accessible.
- Maintaining the required environmental conditions (temperature, humidity).
- Possible soiling of the reading window due to liquids, abrasion by boxes, or packaging material residues.
- Lowest possible chance of damage to the device by mechanical collision or jammed parts.
- Possible extraneous light (no direct sunlight or sunlight reflected by the bar code).



With the line scanner, the beam exits the device parallel to the housing base; with the oscillating mirror, the beam exits perpendicular to the housing base. The housing base is the black surface.

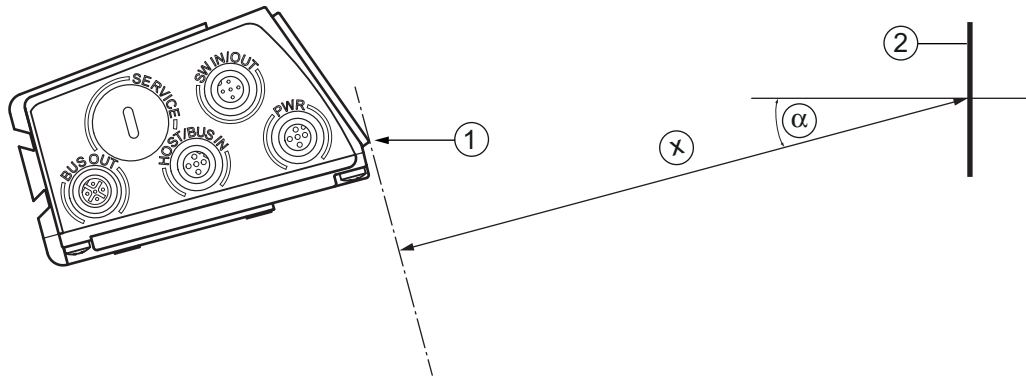
The best read results are obtained when:

- The device is mounted in such a way that the scanning beam is incident on the bar code at an angle of inclination greater than $\pm 10^\circ \dots 15^\circ$ to vertical.
- The reading distance lies in the middle area of the reading field.
- The bar code labels are of good print quality and have good contrast ratios.
- You do not use high-gloss labels.
- There is no direct sunlight.

6.1.2 Avoiding total reflection – Line scanner

The bar code label must be positioned at an angle of inclination greater than $\pm 10^\circ \dots 15^\circ$ from vertical in order to avoid total reflection of the laser beam (see figure 6.1)!

Total reflection occurs whenever the laser light of the bar code reader is directly incident on the surface of the bar code at an angle of 90° . The light directly reflected by the bar code may overload the bar code reader and thereby cause non-readings!



- 1 Zero position
- 2 Bar code
- x Distance acc. to reading field curves
- a $\pm 10 \dots 15^\circ$

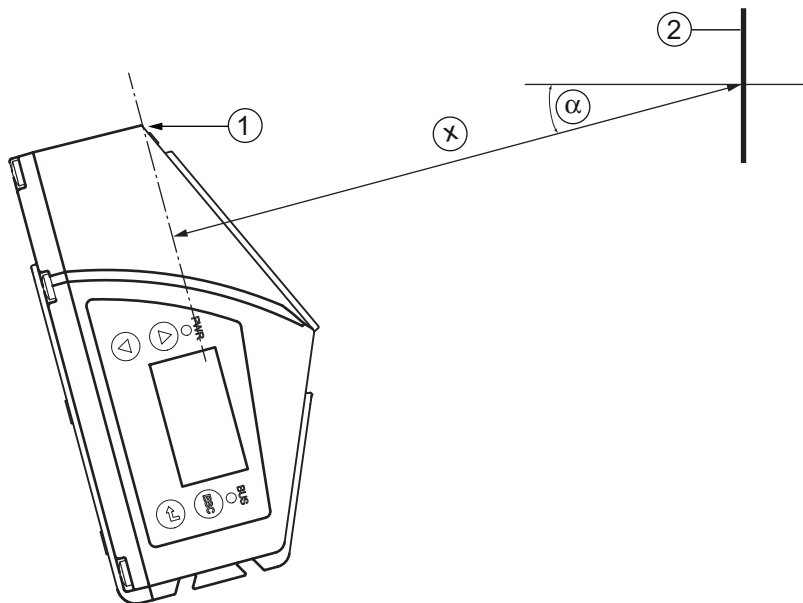
Figure 6.1: Total reflection – line scanner

6.1.3 Avoiding total reflection – oscillating-mirror scanner

For the device with oscillating mirror, the laser beam exits at an angle of 90° to vertical.

In addition, the swivel range of $\pm 20^\circ$ is to be taken into account.

This means that in order to be on the safe side and to avoid total reflection, the device with oscillating mirror must be inclined upward or downward $20^\circ \dots 30^\circ$!



- 1 Zero position
- 2 Bar code
- x Distance acc. to reading field curves
- a $\pm 25^\circ$

Figure 6.2: Total reflection – oscillating-mirror scanner

6.1.4 Possible read angles between device and bar code

The optimum alignment of the device is accomplished when the scan line scans the code bars almost at a right angle (90°). All read angles that are possible between the scan line and bar code must be taken account (see figure 6.3).



- a Azimuth angle (tilt)
 - b Inclination angle (pitch)
 - g Rotation angle (skew)
- In order to avoid total reflection, the skew g should be greater than 10°

Figure 6.3: Reading angle for the line scanner

6.2 Installing the external parameter memory

- ✚ Remove the cover of the USB connection on the device.
- ✚ Insert the USB memory stick into the USB connection and then cover it with the connector hood to ensure degree of protection IP 65.

The USB memory stick can be inserted regardless of whether or not the device is connected to supply voltage.

- After the USB memory stick has been inserted and supply voltage applied, the following message appears on the display.
Memory stick connected: Export internal configuration?

- ✚ Use the navigation buttons \uparrow \downarrow to select OK and activate with the enter button \rightarrow .

The configuration is now transferred to the external parameter memory and is from now on updated immediately when the configuration is changed via display or online commands.

- The display of MS under the device address indicates that the USB memory stick is correctly connected and functional.

Replacing a defective device

- ✚ Uninstall the defective device.
- ✚ Remove the external parameter memory from the defective device by unscrewing the protection hood.

- ↩ Mount the external parameter memory on the new device.
- ↩ Install and start up the new device.

The following message appears on the display again:

- Memory stick connected: Export internal configuration?

- ↩ Use the navigation buttons   to select Cancel and activate with the enter button .



Make sure you select Cancel. Otherwise, the configuration in the external parameter memory is lost!

The configuration is now imported from the external parameter memory and the device is immediately operational without any further configuration.

7 Electrical connection

CAUTION

- ⚡ Do not open the device yourself under any circumstances! There is otherwise a risk of uncontrolled emission of laser radiation from the device. The housing of the device contains no parts that need to be adjusted or maintained by the user.
- ⚡ Before connecting the device, be sure that the supply voltage agrees with the value printed on the name plate.
- ⚡ Connection of the device and cleaning must only be carried out by a qualified electrician.
- ⚡ Ensure that the functional earth (FE) is connected correctly. Unimpaired operation is only guaranteed when the functional earth is connected properly.
- ⚡ If faults cannot be corrected, the device should be removed from operation and protected against possible commissioning.

CAUTION

For UL applications, use is only permitted in Class 2 circuits in accordance with the NEC (National Electric Code). The bar code readers are designed in accordance with safety class III for supply by PELV (protective extra-low voltage with reliable disconnection).

CAUTION

Degree of protection IP 65 is achieved only if the connectors and caps are screwed into place!

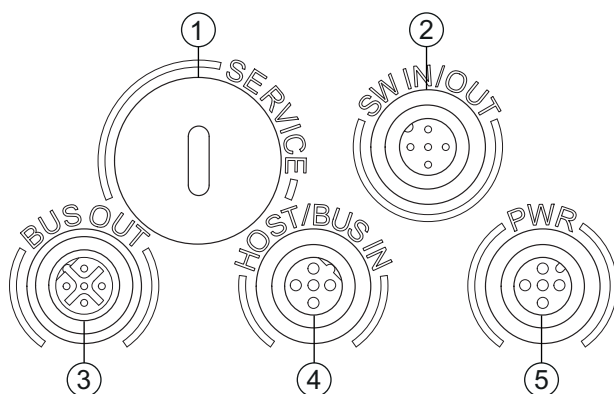
7.1 Overview

As a PROFIBUS participant, the device is equipped with four M12 plugs/sockets which are A- and B-coded.

The voltage supply (PWR) as well as the four freely configurable switching inputs/outputs (SW IN/OUT and PWR) are connected there.

The device is designed for use in PROFIBUS DP. An incoming DP IN - PROFIBUS DP is available as a HOST / BUS IN interface for connecting to the PLC. An outgoing DP OUT - PROFIBUS DP is present as another second physical BUS OUT interface for setting up the PROFIBUS DP network.

An USB connection is used as a SERVICE interface.



- 1 Service, USB socket, type A
- 2 SW In/Out, M12 socket (A-coded)
- 3 Bus Out, M12 socket (B-coded)
- 4 Host/Bus In, M12 socket (B-coded)
- 5 PWR, M12 plug (A-coded)

Figure 7.1: Connections of the device

Described in detail in the following are the individual connections and pin assignments.

7.2 PWR – Voltage supply and switching inputs/outputs 3 and 4

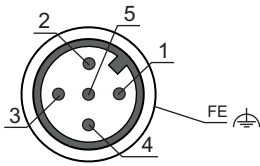


Figure 7.2: PWR, M12 plug (A-coded)

Table 7.1: Pin assignments - PWR

Pin	Name	Comment
1	VIN	Positive supply voltage +10 ... +30 V DC
2	SWIO_3	Configurable switching input / output 3
3	GND	Negative supply voltage 0 V DC
4	SWIO_4	Configurable switching input / output 4
5	FE	Functional earth
Thread	FE	Functional earth (housing)

Supply voltage

	CAUTION
For UL applications, use is only permitted in Class 2 circuits in accordance with the NEC (National Electric Code).	

	CAUTION
The BCL 604i bar code readers are designed in accordance with safety class III for supply by PELV (protective extra-low voltage with reliable disconnection).	

Connecting functional earth FE

⚡ Ensure that the functional earth (FE) is connected correctly. Unimpaired operation is only guaranteed when the functional earth is connected properly. All electrical disturbances (EMC couplings) are discharged via the functional earth connection.

Switching input/output

The device is equipped with four freely programmable, opto-decoupled switching inputs and outputs SWIO_1 ... SWIO_4.

The switching inputs can be used to activate various internal functions of the device (decoding, autoConfig, ...). The switching outputs can be used to signal the state of the device and to implement external functions independent of the superior control.

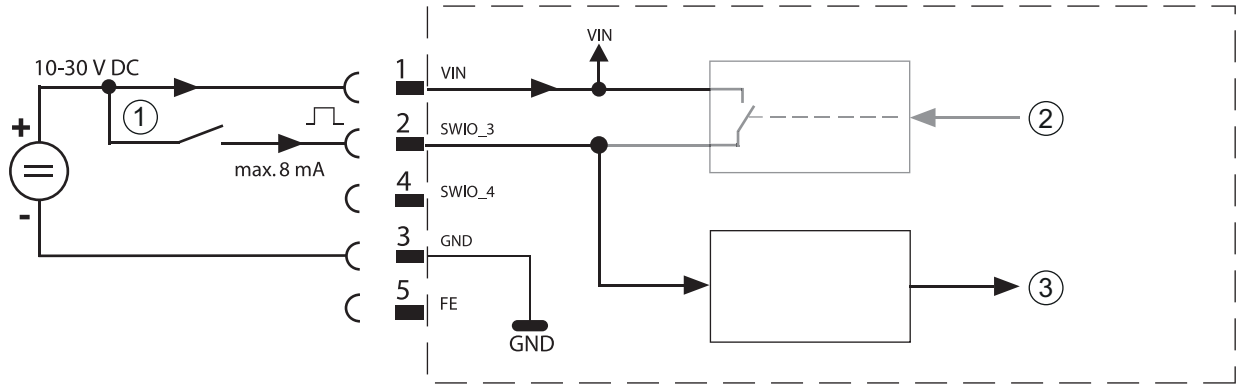
The two switching inputs/outputs SWIO_1 and SWIO_2 are located on the SW IN/OUT M12 socket (see chapter 7.4). The other two (SWIO_3 and SWIO_4) of the four freely configurable switching inputs/outputs are located on the PWR M12 plug.



In general, configuration of the bar code reader takes place on the PROFIBUS via the corresponding GSD file. Alternatively, you can temporarily set the respective function as input or output via the display or with the aid of the webConfig configuration tool for the purpose of testing the respective functionality. After reconnecting to the PROFIBUS or after deactivating parameter enabling, the parameter settings set by the PROFIBUS are again active!

The external wiring as switching input and switching output is described in the following. For the respective function assignment to the switching inputs/outputs see chapter 10.

Function as switching input



- 1 Switching input
- 2 Switching output from controller (deactivated)
- 3 Switching input to controller

Figure 7.3: Switching input connection diagram SWIO_3 and SWIO_4

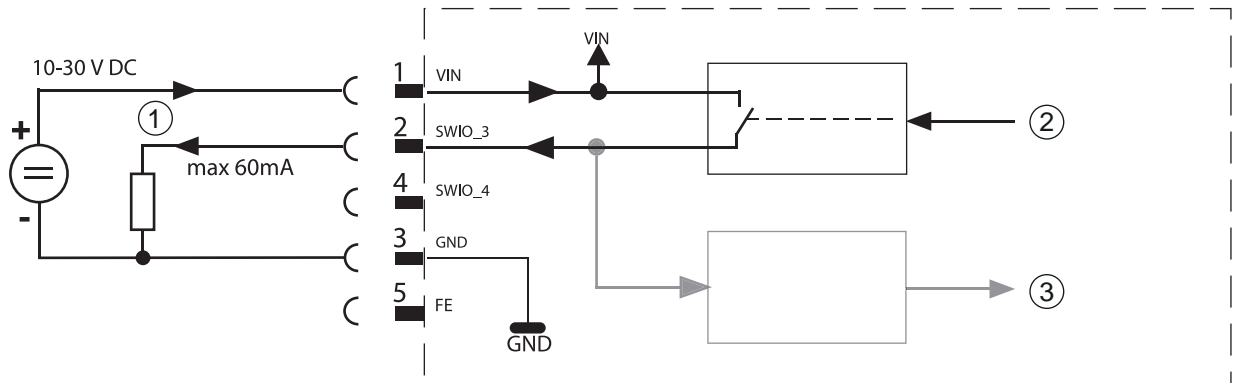
If you use a sensor with a standard M12 connector, please note the following:

⚠ Pins 2 and 4 must not be operated as switching outputs if sensors which function as inputs are also connected to these pins.

If, for example, the inverted sensor output is connected to pin 2, and pin 2 of the bar code reader is, at the same time, configured as an output (and not as an input), the switching output malfunctions.

⚠ CAUTION
The maximum input current must not exceed 8 mA!

Function as switching output



- 1 Switching output
- 2 Switching input from controller
- 3 Switching output to controller (deactivated)

Figure 7.4: Switching output connection diagram SWIO_3 / SWIO_4

NOTICE
Each configured switching output is short-circuit proof! Do not load the respective switching output of the device with more than 60 mA at +10 ... +30 V DC in normal operation!

i By default, the two switching inputs/outputs SWIO_3 and SWIO_4 are configured so that switching input SWIO_3 activates the reading gate and switching output SWIO_4 switches on “No Read”.

7.3 SERVICE – USB interface (type A)

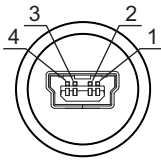


Figure 7.5: Service, USB, type A

Table 7.2: Pin assignments of SERVICE – USB interface

Pin	Name	Comment
1	VB	Positive supply voltage +5 V DC
2	D-	Data -
3	D+	Data -
4	GND	Ground

NOTICE

Maximum load of the +5 V DC supply voltage of the USB interface is 200 mA!

↪ Ensure adequate shielding.

The entire interconnection cable must absolutely be shielded acc. to the USB specifications. Cable length must not exceed 3 m.

↪ Use the Leuze-specific USB service cable (see chapter 15 "Ordering information and accessories") for the connection and use a service PC to configure.

NOTICE

IP 65 is achieved only if the connectors and caps are screwed into place.

7.4 SW IN/OUT – Switching input/switching output

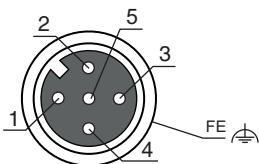


Figure 7.6: SW IN/OUT, M12 socket (A-coded)

Table 7.3: Pin assignment SW IN/OUT

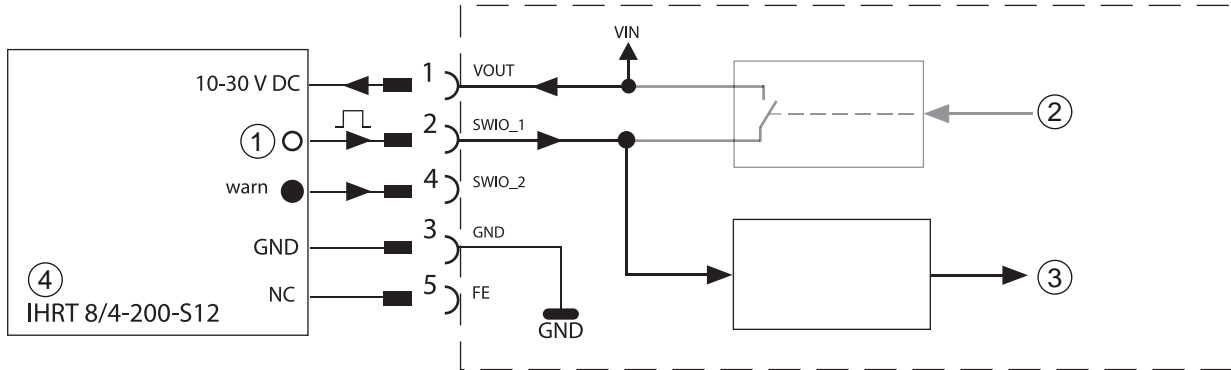
Pin	Name	Comment
1	VOUT	Voltage supply for sensors (VOUT identical to VIN at PWR IN)
2	SWIO_1	Configurable switching input / output 1
3	GND	GND for the sensors
4	SWIO_2	Configurable switching input / output 2
5	FE	Functional earth
Thread	FE	Functional earth (housing)

The device is equipped with four freely programmable, opto-decoupled switching inputs and outputs SWIO_1 ... SWIO_4.

The two switching inputs/outputs SWIO_1 and SWIO_2 are located on the SW IN/OUT M12 socket. The other two (SWIO_3 and SWIO_4) of the four freely configurable switching inputs/outputs are located on the PWR M12 plug (see chapter 7.4).

The external wiring as switching input and switching output is described in the following. For the respective function assignment to the switching inputs/outputs see chapter 10.

Function as switching input



- 1 Output
- 2 Switching output from controller (deactivated)
- 3 Switching input to controller
- 4 Reflection light scanner

Figure 7.7: Switching input connection diagram SWIO_1 and SWIO_2

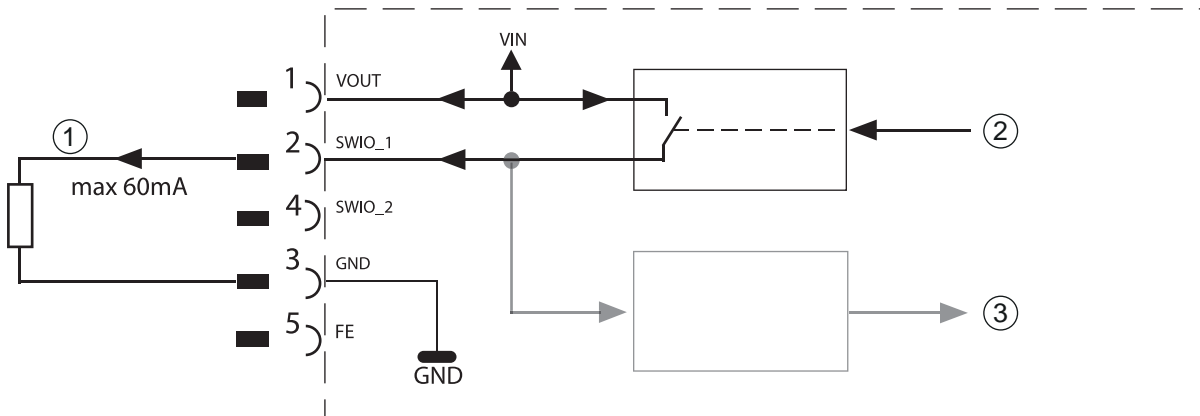
NOTICE

If you use a sensor with a standard M12 connector, please note the following: Pins 2 and 4 must not be operated as switching outputs if sensors which function as inputs are also connected to these pins. If, for example, the inverted sensor output is connected to pin 2, and pin 2 of the bar code reader is, at the same time, configured as an output (and not as an input), the switching output malfunctions.

NOTICE

The maximum input current must not exceed 8 mA!

Function as switching output



- 1 Switching output
- 2 Switching output from controller
- 3 Switching input to controller (deactivated)

Figure 7.8: Switching output connection diagram SWIO_1 / SWIO_2

NOTICE

Each configured switching output is short-circuit proof! Do not load the respective switching output of the device with more than 60 mA at +10 ... +30 V DC in normal operation!



By default, the two switching inputs/outputs SWIO_1 and SWIO_2 are configured so that they function as switching inputs. Switching input SWIO_1 activates the start reading gate function and switching input SWIO_2 activates the reference code teach-in function.

The functions of the individual switching inputs/outputs are programmed via the display or via configuration in the webConfig tool under the Switching input or Switching output heading (see chapter 10 "Starting up the device - Configuration").

7.5 HOST / BUS IN

The device makes an PROFIBUS DP IN interface available as host interface.

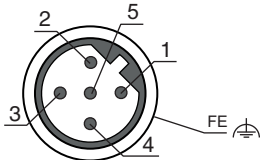


Figure 7.9: HOST/BUS IN – DP IN, M12 socket (B-coded)

Table 7.4: Pin assignment HOST / BUS IN

Pin	Name	Comment
1	N.C.	Not used
2	A (N)	Receive/transmit data A-line (N)
3	N.C.	Not used
4	B (P)	Receive/transmit data B-line (P)
5	FE	Functional earth
Thread	FE	Functional earth (housing)

NOTICE
Ensure adequate shielding. The entire interconnection cable must be shielded and earthed.

7.6 BUS OUT

To set up the PROFIBUS with additional participants, the device makes available another interface of type PROFIBUS DP OUT.

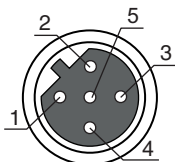


Figure 7.10: M12 socket (B-coded)

Table 7.5: Pin assignment BUS OUT

Pin	Name	Comment
1	VP	+5VDC for bus termination
2	A (N)	Receive/transmit data A-line (N)
3	GND 48 5	RS 485 ground reference for bus termination
4	B (P)	Receive/transmit data B-line (P)
5	FE	Functional earth / shield
Thread	FE	Functional earth (housing)

NOTICE
 Ensure adequate shielding. The entire interconnection cable must be shielded and earthed.

7.7 PROFIBUS termination

The last physical PROFIBUS participant must be terminated with a terminating resistor (see chapter 15 "Ordering information and accessories") on the BUS OUT socket.

7.8 Cable lengths and shielding

↳ Observe the following maximum cable lengths and shielding types:




Table 7.6: Cable lengths and shielding

Connection	Interface	Max. cable length	Shielding
BCL – service	USB	3 m	Shielding absolutely necessary acc. to USB specifications
BCL – host	PROFIBUS DP	Acc. to PNO specifications	Acc. to PNO specifications
BCL – power supply unit		30 m	Not necessary
Switching input		10 m	Not necessary
Switching output		10 m	Not necessary

8 Menu description

After voltage is applied to the bar code reader, a startup screen is displayed for several seconds. The display then shows the bar code reading window with all status information.

8.1 The main menus

Use the navigation buttons   to move through the menu. Activate the desired selection with the enter button .

Device information	This menu item contains detailed information on <ul style="list-style-type: none"> • Device type • Software version • Hardware version • Serial number
Network settings	<ul style="list-style-type: none"> • Display of the network settings
Bar code reading window	<ul style="list-style-type: none"> • Visualization of the read bar code information • Status overview of the switching inputs/outputs • Bar graphs for read quality of the current bar code <p>Further information see chapter "Indicators in the display".</p>
Parameter	<ul style="list-style-type: none"> • Configuration of the bar code reader <p>Further information see chapter 8.2 "Parameter menu".</p>
Language selection	<ul style="list-style-type: none"> • Selection of the display language <p>Further information see chapter 8.3 "Language selection menu".</p>
Service	<ul style="list-style-type: none"> • Scanner diagnosis and status messages <p>Further information see chapter 8.4 "Service menu".</p>
Actions	<ul style="list-style-type: none"> • Various functions for scanner configuration and manual operation <p>Further information see chapter 8.5 "Actions menu".</p>



A detailed description of the individual parameters can be found in the description of the Profibus GSD modules (see chapter 10.5 "Overview of the project modules").



Changes made via the display are overwritten!

Device settings for operating the device on the PROFIBUS are managed and configured exclusively by the PLC. If parameters are changed via the display during bus operation, the device is separated from the PROFIBUS at the moment parameter enabling is activated via the display. Parameters set by the PROFIBUS are moved to the background, and changes to parameters can be made via the display. When parameter enabling is exited, the device is automatically re-connected to the PROFIBUS. Upon connection to the PROFIBUS, the device receives all parameters from the PLC.

8.2 Parameter menu

Parameter handling

The Parameter handling submenu is used to lock and release the parameter input via the display and for resetting to default values.

Table 8.1: Parameter handling submenu

Level 3	Level 4	Level 5	Selection/configuration option Description	Standard
Parameter enable			OFF/ON The standard setting (OFF) prevents unintended parameter changes. If parameter enabling is activated (ON), parameters can be changed manually. As long as parameter enabling is activated, the device is disconnected from the PROFIBUS.	OFF
Default parameters			By pressing the enter button after selecting Parameters to default , all parameters are reset to their standard settings without any further security prompts. In this case, English is selected as the display language.	

Decoder table

In the Decoder table submenu, 4 different code type definitions can be stored. Bar codes that have been read can only be decoded if they correspond to one of the definitions stored here.

Table 8.2: Decoder table submenu

Level 3	Level 4	Level 5	Selection/configuration option Description	Standard
Max. no. of labels			Value between 0 and 64 The value set here specifies the maximum number of labels that should be detected for each reading gate.	1
Decoder 1	Symbology (Code type)		No code Code 2/5 Interleaved Code 39 Code 32 Code UPC Code EAN Code 128 EAN Addendum Codabar Code 93 GS1 DataBar Omnidirectional GS1 DataBar Limited GS1 DataBar Expanded If No code is configured, the current and all subsequent decoders are deactivated.	Code 2/5i
	Number of digits	Interval mode	OFF/ON With the ON setting, the values in digits 1 and 2 define a range of character numbers that are to be read.	OFF
		Digits 1	0 to 64 characters First decodable number of characters or lower range limit.	10
		Digits 2	0 to 64 characters Second decodable number of characters or upper range limit.	0
		Digits 3	0 to 64 characters Third decodable number of characters.	0
		Digits 4	0 to 64 characters Fourth decodable number of characters.	0
		Digits 5	0 to 64 characters Fifth decodable number of characters.	0
	Reading reliability		Value from 2 to 100 Number or scans required to reliably detect a label.	4
	Check digit method		Standard No check Depending on the symbology (code type) selected for the decoder, further calculation algorithms can be selected here. Check digit method used for the decoding of the bar code that has been read. If Standard is set, the check digit method intended for the respective code type is used.	Standard
	Check digit transmission		Standard Not standard Specifies whether the check digit is transmitted. Standard means that the transmission matches the standard intended for the respective code type.	Standard

Level 3	Level 4	Level 5	Selection/configuration option Description	Standard
Decoder 2	Symbology		As decoder 1	Code 39
	Number of digits	Interval mode	OFF/ON	ON
		Digits 1	0 to 64 characters	4
		Digits 2	0 to 64 characters	30
		Digits 3	0 to 64 characters	0
		Digits 4	0 to 64 characters	0
		Digits 5	0 to 64 characters	0
	Reading reliability		Value from 2 to 100	4
	Check digit method		As decoder 1	Standard
Check digit transmission		As decoder 1	Standard	
Decoder 3	Symbology		As decoder 1	Code 128
	Number of digits	Interval mode	OFF/ON	ON
		Digits 1	0 to 64 characters	4
		Digits 2	0 to 64 characters	63
		Digits 3	0 to 64 characters	0
		Digits 4	0 to 64 characters	0
		Digits 5	0 to 64 characters	0
	Reading reliability		Value from 2 to 100	4
	Check digit method		As decoder 1	Standard
Check digit transmission		As decoder 1	Standard	
Decoder 4	Symbology		As decoder 1	Code UPC
	Number of digits	Interval mode	OFF/ON	OFF
		Digits 1	0 to 64 characters	8
		Digits 2	0 to 64 characters	0
		Digits 3	0 to 64 characters	0
		Digits 4	0 to 64 characters	0
		Digits 5	0 to 64 characters	0
	Reading reliability		Value from 2 to 100	4
	Check digit method		As decoder 1	Standard
Check digit transmission		As decoder 1	Standard	

Digital SWIO

The Digital SWIO submenu is used to configure the 4 switching inputs/outputs of the device.

Table 8.3: Digital SWIO submenu

Level 3	Level 4	Level 5	Selection/configuration option Description	Standard
Sw. input/output 1	I/O mode		Input / Output / Passive Determines the function of switching input/output 1. In the case of passive, the connection is on 0 V if the Inverted parameter is set to OFF , and on +UB if the Inverted parameter is set to ON .	Input
	Switching input	Invert	OFF / ON OFF = activation of the switching input function upon high level at the switching input ON = activation of the switching input function upon low level at the switching input	OFF
		Debounce time	Value from 0 to 1000 Time in milliseconds for which the input signal must be present and stable.	5
		Start-up delay	Value from 0 to 65535 Time in milliseconds between the end of the debounce time and activation of the function configured below.	0
		Pulse duration	Value from 0 to 65535 Minimum activation time in milliseconds for the function configured below.	0
		Delay off time	Value from 0 to 65535 Time in milliseconds for which the function configured below remains activated after the switching input signal is deactivated and the pulse duration has expired.	0
		Function	No BCL600i function Reading gate start/stop Reading gate stop -Reading gate start Teach reference code Autoconfig start/stop The function set here is carried out after the switching input is activated.	Reading gate start/stop

Level 3	Level 4	Level 5	Selection/configuration option Description	Standard
	Switching output	Invert	OFF / ON OFF = activated switching output upon high level ON = activated switching output upon low level	OFF
		Signal delay	Value from 0 to 65535 Time in milliseconds between activation function and switching of the switching output.	0
		Pulse duration	Value from 0 to 65535 Switch-on time of the switching output in milliseconds. If the Pulse duration is set to 0, the switching output is switched on via the Activation function and switched off via the Deactivation function . If the Pulse duration is greater than 0, the Deactivation function has no effect.	400
		Activation function 1	No function Reading gate start Reading gate end Positive reference code comparison 1 Negative reference code comparison 1 Valid read result Invalid read result Device ready Device not ready Data transmission active Data transmission not active AutoCont. good quality AutoCont. bad quality Reflector detected Reflector not detected External event, pos. edge External event, neg. edge Device active Device standby No device error Device error Positive reference code comparison 2 Negative reference code comparison 2 The function set here specifies which event activates the switching output.	No function
		Deactivation function 1	See Activation function 1 for selection options The function set here specifies the event that deactivates the switching output.	No function
Sw. input/output 2	I/O mode		Input / Output / Passive	Output
	Switching input	Invert	OFF / ON	OFF
		Debounce time	Value from 0 to 1000	5
		Start-up delay	Value from 0 to 65535	0
		Pulse duration	Value from 0 to 65535	0
		Delay off time	Value from 0 to 65535	0
		Function	see switching input/output 1	No function
	Switching output	Invert	OFF / ON	OFF
		Signal delay	Value from 0 to 65535	0
		Pulse duration	Value from 0 to 65535	400
		Activation function 2	see switching input/output 1	Valid read result
		Deactivation function 2	see switching input/output 1	Reading gate start

Level 3	Level 4	Level 5	Selection/configuration option Description	Standard	
Sw. input/output 3	I/O mode		Input / Output / Passive	Input	
	Switching input	Invert	OFF / ON	OFF	
		Debounce time	Value from 0 to 1000	5	
		Start-up delay	Value from 0 to 65535	0	
		Pulse duration	Value from 0 to 65535	0	
		Delay off time	Value from 0 to 65535	0	
		Function	see switching input/output 1	Reading gate start/stop	
		Switching output	Invert	OFF / ON	OFF
	Signal delay		Value from 0 to 65535	0	
	Pulse duration		Value from 0 to 65535	400	
	Activation function 3		see switching input/output 1	No function	
	Deactivation function 3		see switching input/output 1	No function	
	Sw. input/output 4		I/O mode		Input / Output / Passive
		Switching input	Invert	OFF / ON	OFF
Debounce time			Value from 0 to 1000	5	
Start-up delay			Value from 0 to 65535	0	
Pulse duration			Value from 0 to 65535	0	
Delay off time			Value from 0 to 65535	0	
Function			see switching input/output 1	No function	
Switching output			Invert	OFF / ON	OFF
		Signal delay	Value from 0 to 65535	0	
		Pulse duration	Value from 0 to 65535	400	
		Activation function 4	see switching input/output 1	Invalid read result	
		Deactivation function 4	see switching input/output 1	Reading gate start	

PROFIBUS

The PROFIBUS address is set in the PROFIBUS submenu.



Note that the parameters described in the following are editable and may be overwritten by the dominant PLC data.

Table 8.4: PROFIBUS submenu

Level 3	Level 4	Level 5	Selection/configuration option Description	Standard
PROFIBUS address			Value from 0 to 126 The PROFIBUS permits an address range from 0 to 126. Address 126 must not be used for data communication. It may only be used temporarily for commissioning. The default address is 126. The address must be assigned separately for each bar code reader of type BCL 604i	126

8.3 Language selection menu

Currently, there are 5 display languages available:

- German
- English
- Spanish
- French
- Italian
- Chinese

The display language and the language of the webConfig user interface are synchronized. The setting in the display affects the webConfig tool and vice versa.



When operating the device on the PROFIBUS, the language configured in the GSD file is used in the display.

8.4 Service menu

Diagnostics

This menu item is used exclusively for service purposes by Leuze electronic.

Status messages

This menu item is used exclusively for service purposes by Leuze electronic.

8.5 Actions menu

Start decoding

Here, you can perform a single reading via the display.

↳ Activate the single reading with the enter button  and hold a bar code in the reading field of the device.


The laser beam is switched on and the following display appears:

zzzzzzzz

Once the bar code is detected, the laser beam is switched off again. The read result *zzzzzzzz* is shown directly in the display for about 1 s. After that, the Actions menu is displayed again.

Start alignment

The alignment function makes it easy to align the device by optically displaying the read quality.

↳ Activate the alignment function with the enter button  and hold a bar code in the reading field of the device.

At first, the laser beam is switched on continuously, enabling you to position the bar code securely in the reading field. Once the bar code is read, the laser beam is switched off briefly and the following display appears:

xx *zzzzzz*

xx Read quality in % (scans with info)

zzzzzz Contents of the decoded bar code

Once the bar code has been detected, the laser beam starts to flash.

The flash frequency provides visual information on the read quality. The faster the laser beam flashes, the higher the read quality.



In this mode, the bar code reader must reach at least 100 identical readings to obtain the result. The more readings are required, the lower the read quality.

The read quality is displayed via the bar graph.

Start auto-setup

The auto-setup function provides an easy option for configuring the code type and number of digits of Decoder 1.

Use the enter button to activate the auto-setup function and hold an unknown bar code in the reading beam of the device.

The following display appears:

xx yy zzzzzz

The following information is displayed:

xx	Code type of the detected code (sets the code type of Decoder 1)
01	2/5 Interleaved
02	Code 39
03	Code 32
06	UPC (A, E)
07	EAN
08	Code 128, EAN 128
10	EAN Addendum
11	Codabar
12	Code 93
13	GS 1 Databar Omnidirectional
14	GS 1 Databar Limited
15	GS 1 Databar Expanded
yy	Number of digits of the detected code (sets the number of digits of Decoder 1)
zzzzzz	Contents of the decoded label. A appears if the label was not correctly read.

Start teach-in

The teach-in function can be used to conveniently read reference code 1.

Use the enter button to activate the teach-in function and hold a bar code which contains the content that you wish to store as the reference code in the reading beam of the device.

The following display appears:

RC13xxzzzzzz

RC13	Means that ReferenceCode number 1 is stored in RAM. This is always output
xx	Defined code type (see auto-setup)
z	Defined code information (1 ... 63 characters)

8.6 Operation

Shown here is an example describing important operating procedures in detail.

Parameter enable

During normal operation parameters can only be viewed. If parameters need to be changed, the ON menu item in the Parameter enabling menu must be activated.



Use the navigation buttons (▲▼) to move through the menu. Activate the desired selection with the enter button (↵).

- ↵ In the Parameter menu, select **Parameter handling**.
- ↵ Press the enter button to enter the menu.
- ↵ Select the **Parameter enable** menu item.
- ↵ Press the enter button to enter the menu.
- ↵ Select the **ON** menu item.
- ↵ Press the enter button to enter the menu.
- ↵ The PWR LED lights up red. You can now set individual parameters via the display.
- ↵ Press the Escape button twice to return to the main menu.



If a password was stored, parameter enabling is not possible until this password is entered (see chapter 8.6 "Operation", Password for parameter enabling).



The device is deactivated on the PROFIBUS if parameter enabling is activated via the display. The device is reactivated on the PROFIBUS after parameter enabling is exited.



In the PROFIBUS network, configuration is performed exclusively via the PROFIBUS.

Parameters set via the display when operating the device on the PROFIBUS are overwritten by the parameters set in the GSD modules. For GSD modules which are not actively used on the PROFIBUS, the default settings of the bar code reader apply (see chapter 10.5 "Overview of the project modules"). Thus, the PROFIBUS presets values to all parameters.



If parameters are changed via the display during bus operation, the device is separated from the PROFIBUS at the moment parameter enabling is activated via the display. Parameters set by the PROFIBUS are moved to the background, and changes to parameters can be made via the display. When parameter enabling is exited, the device is automatically reconnected to the PROFIBUS. Upon connection to the PROFIBUS, the device receives all parameters from the PROFIBUS controller.

Changes made via the display are overwritten!

Device settings for operating the device on the PROFIBUS are managed and configured exclusively by the PROFIBUS controller.

Password for parameter enabling

The password query is deactivated by default. To protect against unwanted changes, the password query can be activated. The preset password is 0000 and can be changed as necessary. To switch on password protection, proceed as follows:

Setting the password



In order to enter the password, parameter enabling must be activated.

A selected password is saved with save.

If the password is not known, the master password 2301 can always be used to enable the device.



When operating the device on the PROFIBUS, the password entered in the display has no effect. The PROFIBUS overwrites the password with the default settings.

If a password is desired for PROFIBUS operation, it must be configured via module 62 (see chapter 10.11.3 "Module 62 – Display").

Network configuration

For information on configuring PROFIBUS see chapter 10 "Starting up the device - Configuration".

9 Commissioning – Leuze electronic webConfig tool

With the **Leuze webConfig tool**, an operating-system independent, web-technology based, graphical user interface is available for configuring bar code readers of the BCL 600i series.

Through the use of HTTP as communication protocol and by using only standard technologies on the client side (HTML, JavaScript and AJAX), which are supported by all commonly used, modern browsers (e.g. Mozilla Firefox beginning with Version 2 or Internet Explorer beginning with Version 7.0), it is possible to operate the Leuze webConfig tool on any internet-ready PC.

9.1 Connecting the service USB interface

The connection to the SERVICE USB interface of the device is established via the PC-side USB interface using a special USB cable with 2 type A/A plugs.

9.2 Installation

9.2.1 System requirements

Operating system:

Windows 2000

Windows XP (Home Edition, Professional)

Windows Vista

Windows 7

Windows 8

Computer:

PC with USB interface version 1.1 or higher

Graphics card:

min. 1024 x 768 pixels or higher resolution

Required disk capacity:

approx. 10 MB



It is recommended to update the operating system regularly and to install the current Windows service packs.

9.2.2 Installing the USB driver

In order for the device to be automatically detected by the connected PC, the USB driver must be installed once on your PC. To do this, you must have administrator privileges.

Please proceed according to the following steps.

☞ Start your PC with administrator privileges and log on.

☞ Load the CD included in the delivery contents of your device in the CD drive and start the setup.exe program.

☞ Alternatively, you can also download the setup program from the internet at www.leuze.com.

☞ Follow the instructions provided by the setup program.

Upon successful installation of the USB driver, an icon automatically appears on the desktop.

To check: In the Windows device manager, a device called “Leuze electronic, USB Remote NDIS Network Device” appears under the “Network adapter” device class following successful USB registration.



If the installation failed, contact your network administrator: The settings of the firewall used may need to be adjusted.

9.3 Starting the webConfig tool

To start the webConfig tool, click the icon located on the desktop. Make certain that the device is connected to the PC via the USB interface and that voltage is connected.

Or alternatively: Open a browser on your PC and enter the following address: 192.168.61.100. This is the default Leuze service address for communication with bar code readers of the BCL 600i series. In both cases, the following start page appears on your PC.

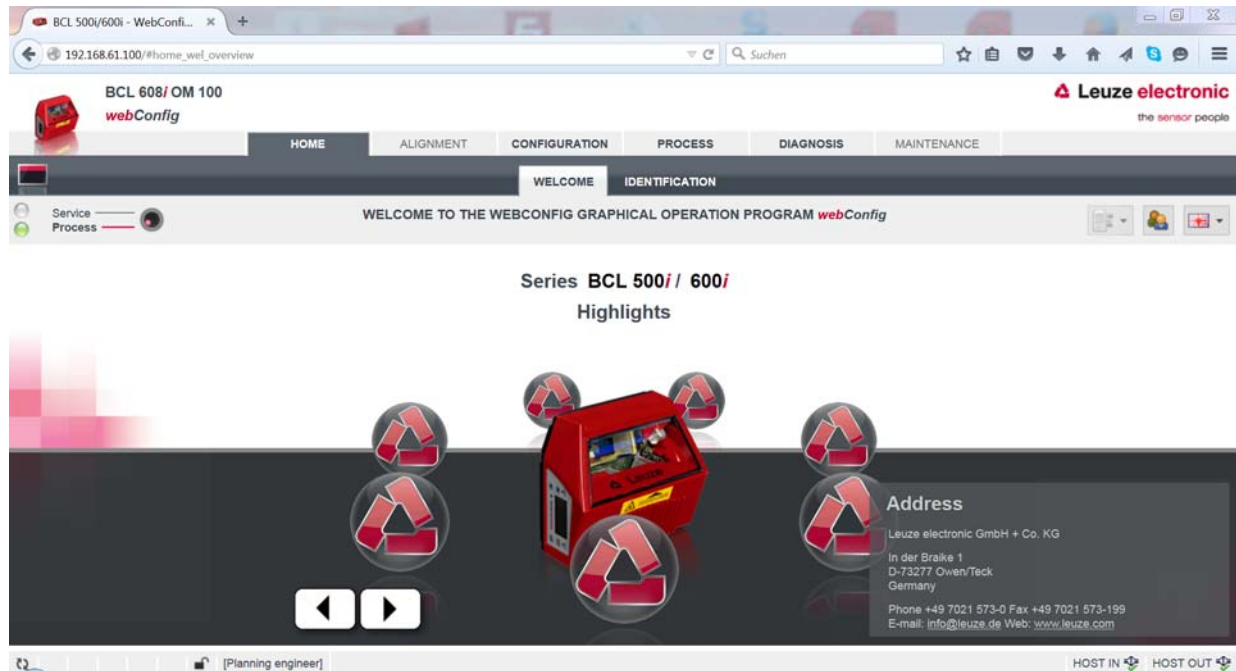


Figure 9.1: The start page of the webConfig tool



The webConfig tool is completely contained in the firmware of the device. Depending on firmware version, the start page may vary from that shown above.

The individual parameters are – where useful – graphically displayed in order to better illustrate the meaning of the what are often perceived as abstract parameters.

The result is an easy-to-use and practically-oriented user interface!

9.4 Short description of the webConfig tool

The webConfig tool has five main menus:

- Home
With information on the connected device as well as on installation. This information corresponds to the information in this handbook.
- Alignment
For manually starting read processes and for aligning the bar code reader. The results of the read processes are displayed immediately. As a result, this menu item can be used to determine the optimum installation location.
- Configuration
For adjusting decoding, for data formatting and output, switching inputs/outputs, communication parameters and interfaces, etc. ...
- Diagnosis
For event logging of warnings and errors.
- Maintenance
For updating the firmware.

The user interface of the webConfig tool is largely self-explanatory.

9.5 Module overview in the Configuration menu

The adjustable parameters of the device are clustered in modules in the Configuration menu.

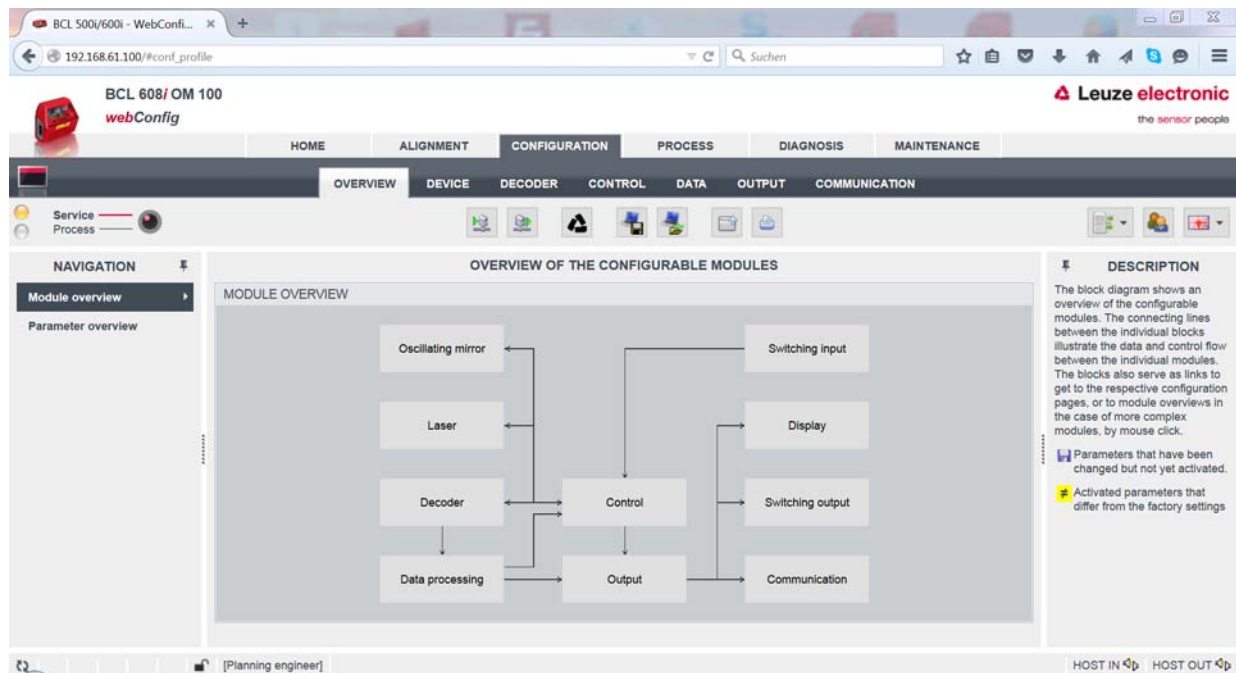


Figure 9.2: Module overview in the webConfig tool



The webConfig tool is completely contained in the firmware of the device. Depending on firmware version, the module overview may vary from that shown above.

The individual modules and their relationships to one another are graphically displayed in the module overview. The display is context sensitive, i.e. click a module to directly access the corresponding submenu. An overview of the modules:

- Decoder
Definition of code types, code-type features and number of digits of the labels that are to be decoded
- Data processing
Filtering and processing of the decoded data
- Output
Sorting of the processed data and comparison with reference codes
- Communication
Formatting of the data for output via the communication interfaces
- Control
Activation/deactivation of decoding
- Switching input
Activation/deactivation of read processes
- Switching output
Definition of events which activate/deactivate the switching output
- Display
Formatting of the data for output on the display
- Oscillating mirror (optional)
Setting oscillating mirror parameters

10 Starting up the device - Configuration

 **ATTENTION, LASER RADIATION – LASERCLASS2**

Follow the safety notices (see chapter 2.5.1)!

10.1 General information on the PROFIBUS implementation

10.1.1 Communication profile

The communication profile defines how participants serially transmit their data via the transmission medium. The device supports the communication profile for automation systems and decentral periphery -> PROFIBUS DP.

DP communication profile

The PROFIBUS DP communication profile is designed for efficient data exchange on the field level. Data exchange with the decentral devices occurs primarily cyclically. The necessary communication functions are defined in the DP base functions. The DP optionally offers acyclic communication services as well. These are used for configuring, operating, observing and alarm handling.

In order to be able to perform data exchange, services are defined which PROFIBUS DP differentiates between on the basis of the data access points transmitted in the telegram header.

The profile of the device is based on the PROFIBUS profile for identification systems.

10.1.2 Bus-access protocol

The PROFIBUS communication profiles (DP,FMS) use a uniform bus-access process. It is implemented by layer 2 of the OSI model. The bus-access control (MAC) defines the process for specifying the point in time at which a network device can transmit data. It must ensure that no more than one participant has permission to transmit at any given time. The PROFIBUS bus-access process includes the token-passing process and the master-slave process.

Table 10.1: PROFIBUS bus-access processes

Process	Description	BCL 604i
Token-passing process	With this process, the bus-access permission is distributed by means of a token. The participant obtains permission to transmit with the token. The token wanders between the master devices in the ring in a permanently defined time frame. This type of bus access is used for communication between the masters.	No
Master-slave process	Various slave devices are assigned to a master. The master can address the slaves which are assigned to it and fetch messages from them. The master always has the initiative.	Yes

The two processes can also be mixed in order to create a multi-master system. The device functions both in a mono-master system as well as in a multi-master system.



In 2007, the PROFIBUS DP was extended by the DPV2 specification. The specification will then also permit slave-slave communication. The device does not support this type of communication.

10.1.3 Device types

With the PROFIBUS DP, there are two types of master and one type of slave:

Table 10.2: PROFIBUS DP master and slave types

Device type	Description	BCL 604i
Class 1 master (DPM1)	Class 1 masters are defined for the user-data communication. (e.g. PLC, PC)	
Class 2 master (DPM2)	Class 2 masters are defined for commissioning purposes. Additional services facilitate easier configuration as well as device diagnosis.	
Slave	The slave is a peripheral device which makes available input data for the control and receives output data from the control.	X



The device is defined as a slave in device master file (GSD file) of the BCL 604i!

10.1.4 Expanded DP functions

The PROFIBUS standard has been expanded (DPV1) and, in addition to the cyclic services, also offers acyclic services. These services operate in parallel with the cyclic user-data communication. Masters and slaves can use additional READ and WRITE functions as well as ALARM functions. This is intended especially for operation with an engineering tool (DP-master class 2, DPM2) in order to change parameters and read out status information during normal operation.

The acyclic services operate with lower priority. The functions are different for the various master classes.

Table 10.3: Services for DPVM1 class 1 and slaves

Function	Slave SAP	Description	BCL 604i
MSAC1_Read	SAP51	Read datablock at slave	Yes ^{a)}
MSAC1_Write	SAP51	Write datablock at slave	Yes ^{b)}
MSAC1_Alarm_Acknowledge	SAP50	Alarm acknowledge from master to slave	No
MSAC2_Read	51	Read datablock at slave	No
MSAC2_Write	51	Write datablock at slave	No
MSAC2_Initiate	49	Establish connection between DPM2 and slave	No
MSAC2_Abort	0 ... 48	Establish connection between DPM2 and slave	No
MSAC1_Data_Transport	0 ... 48	Write data to slave and read data from slave in a service cycle	No

a) For I&M functionality

b) For I&M functionality



All expanded services are not implemented for the first PROFIBUS profile of the device.

10.1.5 Automatic baud rate detection

The PROFIBUS implementation of the device features automatic baud rate detection. The device uses this function and offers no possibility for manual or permanent adjustment. The following baud rates are supported:

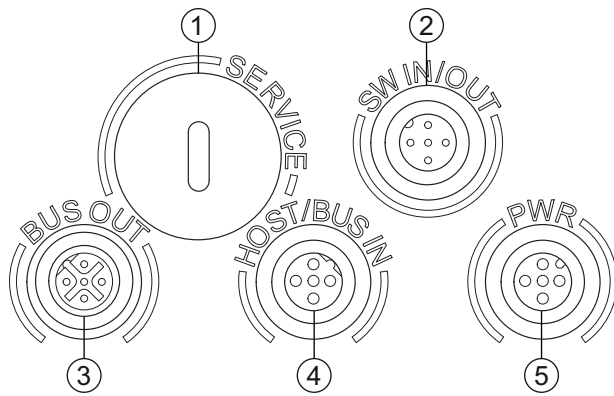
Table 10.4: Baud rates

Baud rate kbit/s	9.6	19.2	45.45	93.75	187.5	500	1500	3000	6000	12000
------------------	-----	------	-------	-------	-------	-----	------	------	------	-------

Automatic baud rate detection is indicated in the device master file of the device: Auto_Baud_supp = 1

10.2 Measures to be performed prior to the initial commissioning

- ↳ Before commissioning, familiarize yourself with the operation and configuration of the device.
- ↳ Before connecting the supply voltage, recheck all connections and ensure that they have been properly made.



- 1 Service, USB socket, type A
- 2 SW In/Out, M12 socket (A-coded)
- 3 Bus Out, M12 socket (D-coded)
- 4 Host/Bus In, M12 socket (D-coded)
- 5 PWR, M12 plug (A-coded)

Figure 10.1: Connections of the device

⚡ Check the applied voltage. It must be in the range between +10V ... 30 V DC.

Connecting functional earth FE

⚡ Ensure that the functional earth (FE) is connected correctly.

<p>NOTICE</p> <p>Unimpaired operation is only guaranteed when the functional earth is connected properly. All electrical disturbances (EMC couplings) are discharged via the functional earth connection.</p>
--

10.3 Setting the address

10.3.1 Setting the device address on the display

The device display has an important function for setting the PROFIBUS address. This is where the PROFIBUS address is set, i.e. the respective station number of the network device.

i The address can only be set via the display if parameter enabling is active (see chapter 8.6).

The set address must be ≥ 0 and < 126 . Each network device is thereby automatically informed that it is a slave on the PROFIBUS with its specific address and that it is initialized and queried by the PLC.

The PROFIBUS permits an address range from 0 to 126. Address 126 must not be used for data communication. It may only be used temporarily for commissioning. The default address is 126.

The address must be assigned separately for each bar code reader of type BCL 604i, which can be done by entering on the display or using the webConfig tool.

i The device does not allow address assignment via PROFIBUS!

In order to set the address via the display, proceed as follows:

i Use the navigation buttons to move through the menu. Activate the desired selection with the enter button .

⚡ In the main menu, select the **Parameter menu**.

⚡ Select the **PROFIBUS** menu item.

⚡ Press the enter button to enter the menu.

- ↵ Select the **PROFIBUS address** menu item.
- ↵ Press the enter button to enter the menu.
- ↵ Set the desired **PROFIBUS address**.
- ↵ Select the **Save** menu item.
- ↵ Press the enter button in order to save the set **PROFIBUS address**.
After saving the **PROFIBUS address**, the device performs a restart and subsequently displays the bar code reader menu.
- ↵ Check the address you have set at the top right of the display.



Permissible values for the PROFIBUS address are 0 ... 125. Make sure that you assign a different PROFIBUS address for each PROFIBUS participant

All other parameters required for the reading task, such as setting the code type and number of digits, etc., are set using the engineering tool of the PLC with the aid of the various available modules (see chapter 10.4).

10.4 Commissioning via the PROFIBUS

10.4.1 General information

The device is designed as a PROFIBUS slave device. The functionality of the device is defined via parameter sets which are clustered in modules. The modules are included in a GSD file, which is supplied as an integral part of the device. By using a user-specific configuration tool, such as, e.g., Simatic Manager for the programmable logic control by Siemens, the required modules are integrated into a project during commissioning and its settings and parameters are adjusted accordingly. These modules are provided by the GSD file.



Reception of the input data and sending of the output data are described from the perspective of the control (IO controller).

10.4.2 Preparing the control system for consistent data transmission

During programming the control system must be prepared for consistent data transmission. This varies from control system to control system. The following possibilities are available for the Siemens control systems.

S7

The specific function blocks SFC 14 for input data and SFC 15 for output data must be integrated in the program. These are standard function blocks and are used to facilitate consistent data transmission.

10.4.3 General information on the GSD file

You can find the GSD file for the respective device model at www.leuze.com.

All data in modules required for operating the device is described in this file. These are input and output data and device parameters for the functioning of the device and the definition of the control and status bits.

If parameters are changed, e.g., in the project tool, these changes are stored on the PLC side in the project, not in the GSD file. The GSD file is a certified and integral part of the device and must not be changed manually. The file is not changed by the system either.

The functionality of the device is defined via parameter sets. The parameters and their functions are structured in the GSD file using modules. A user-specific configuration tool is used during PLC program creation to integrate the required modules and configure them appropriately for their respective use. During operation of the device on the PROFIBUS, all parameters are set to default values. If these parameters are not changed by the user, the device functions with the default settings delivered by Leuze electronic.

For the default settings of the device, please refer to the following module descriptions.



Please note that the set data is overwritten by the PLC!

Some controls make available a so-called “universal module”. This module must not be activated for the device!

From the perspective of the device, a distinction is made between PROFIBUS parameters and internal parameters. PROFIBUS parameters are all parameters that can be changed via the PROFIBUS and are described in the following modules. Internal parameters, on the other hand, can only be changed via a service interface and retain their value even following a PROFIBUS configuration.

During the configuration phase, the device receives a parameter telegram from the master. Before this is evaluated and the respective parameter values are set, all PROFIBUS parameters are reset to default values. This ensures that the parameters of modules that are not selected are set to the default values.



This does not affect modules 1-4 for the code table extension. By default, all but the first code table entry are locked. If “no code” is selected here, all subsequent code tables are deactivated (see chapter 10.6.1 "Modules 1-4 – Code table extensions 1 to 4").

10.4.4 Permanently defined parameters/device parameters

On the PROFIBUS, parameters may be stored in modules or may be defined permanently in a PROFIBUS participant.

The permanently defined parameters are called “common” parameters or device-specific parameters, depending on the configuration tool.

These parameters must always be present. They are defined outside of the modules and are permanently anchored in the telegram header.

Hilscher master controller

The fixed parameters for Slave Configuration -> Parameter Data -> Common are set in SyCon. The module parameters are set under Slave Configuration -> Parameter Data -> Module.

Simatic S7 Controller

In Simatic Manager, the permanently defined parameters are set via object properties of the device. The module parameters are set via the module list of the selected device. By selecting the project properties of a module, the respective parameters may be set if required.

The following list contains the parameters that are permanently defined in the device but are configurable. These parameters always exist and are available independent of the modules.

Table 10.5: “Common” parameters

Parameter	Description	Addr.	Data type	Value range	Default	Unit
Profile number	Number of the activated profile. For devices: constant with value 0.	0	Byte	0 ... 255	0	-
Code type 1	Released code type; no code means that all subsequent code tables are also deactivated. The valid number of digits also depends on the code type.	1.0 ... 1.5	BitArea	0: No code 1: 2/5 Interleaved 2: Code39 3: Code32 6: UPC, UPCE 7: EAN8, EAN13 8: Code128 10: EAN Addendum 11: Codabar 12: Code93 13: RSS-14 14: RSS Limited 15: RSS Expanded	0	-
Number-of-digits mode	Specifies how the subsequent numbers of digits are to be interpreted.	2.6	Bit	0: Enumeration 1: Range	0	-
Digits 1	Decodable number of digits; in the case of a range, this number defines the lower limit. ^{a)}	2.0 ... 2.5	UNSIGNED8	0 ... 63	1	-
Digits 2	Decodable number of digits; in the case of a range, this number defines the upper limit.	3	UNSIGNED8	0 ... 63	0	-
Digits 3	Decodable number of digits in the enumeration mode.	4	UNSIGNED8	0 ... 63	0	-

Parameter	Description	Addr.	Data type	Value range	Default	Unit
Digits 4	Decodable number of digits in the enumeration mode.	5	UNSIGNED8	0 ... 63	0	-
Digits 5	Decodable number of digits in the enumeration mode.	6	UNSIGNED8	0 ... 63	0	-
Reading reliability	Min. reading reliability to be achieved in order to output a read code.	7	UNSIGNED8	1 ... 100	4	-
Check digit procedure	Used check digit procedure.	8.0 ... 8.6	BitArea	0: Standard check digit evaluation 1: No check digit verification 2: MOD10 Weight 3 3: MOD10 Weight 2 4: MOD10 Weight 4_9 5: MOD11 Cont 6: MOD43 7: MOD16	0	-
Check digit output	Turns the check digit output on or off.	8.7	Bit	Check digit output 0: Standard 1: Not standard	0	-
Code type 2	See code type 1	9.0 ... 9.5	BitArea	See code type 1	0	-
Number-of-digits mode 2	Specifies how the subsequent numbers of digits are to be interpreted.	10.6	Bit	0: Enumeration 1: Range	0	-
Digits 2.1	Decodable number of digits; in the case of a range, this number defines the lower limit.	10.0 ... 10.5	UNSIGNED8	0 ... 63	0	-
Digits 2.2	Decodable number of digits; in the case of a range, this number defines the upper limit.	11	UNSIGNED8	0 ... 63	0	-
Digits 2.3	Decodable number of digits in the enumeration mode.	12	UNSIGNED8	0 ... 63	0	-
Digits 2.4	Decodable number of digits in the enumeration mode.	13	UNSIGNED8	0 ... 63	0	-
Digits 2.5	Decodable number of digits in the enumeration mode.	14	UNSIGNED8	0 ... 63	0	-
Reading reliability 2	Min. reading reliability to be achieved in order to output a read code.	15	UNSIGNED8	1 ... 100	4	-
Check digit procedure 2	Used check digit procedure.	16.0... 16.6	BitArea	0: Standard check digit evaluation 1: No check digit verification 2: MOD10 Weight 3 3: MOD10 Weight 2 4: MOD10 Weight 4_9 5: MOD11 Cont 6: MOD43 7: MOD16	0	-
Check digit output 2	Turns the check digit output on or off	16.7	Bit	Check digit output 0: Standard 1: Not standard	0	-
Code type 3	See code type 1	17.0 ... 17.5	BitArea	See code type 1	0	-
Number-of-digits mode 3	Specifies how the subsequent numbers of digits are to be interpreted.	18.6	Bit	0: Enumeration 1: Range	0	-
Digits 3.1	Decodable number of digits; in the case of a range, this number defines the lower limit.	18.0 ... 18.5	UNSIGNED8	0 ... 63	0	-
Digits 3.2	Decodable number of digits; in the case of a range, this number defines the upper limit.	19	UNSIGNED8	0 ... 63	0	-
Digits 3.3	Decodable number of digits in the enumeration mode.	20	UNSIGNED8	0 ... 63	0	-
Digits 3.4	Decodable number of digits in the enumeration mode.	21	UNSIGNED8	0 ... 63	0	-
Digits 3.5	Decodable number of digits in the enumeration mode.	22	UNSIGNED8	0 ... 63	0	-

Parameter	Description	Addr.	Data type	Value range	Default	Unit
Reading reliability 3	Min. reading reliability to be achieved in order to output a read code.	23	UNSIGNED8	1 ... 100	4	-
Check digit procedure 3	Used check digit procedure.	24.0... 24.6	BitArea	0: Standard check digit evaluation 1: No check digit verification 2: MOD10 Weight 3 3: MOD10 Weight 2 4: MOD10 Weight 4_9 5: MOD11 Cont 6: MOD43 7: MOD16	0	-
Check digit output 3	Turns the check digit output on or off	24.7	Bit	Check digit output 0: Standard 1: Not standard	0	-
Code type 4	See code type 1	25.0 ... 25.5	BitArea	See code type 1	0	-
Number-of-digits mode 4	Specifies how the subsequent numbers of digits are to be interpreted.	26.6	Bit	0: Enumeration 1: Range	0	-
Digits 4.1	Decodable number of digits; in the case of a range, this number defines the lower limit.	26.0 ... 26.5	UNSIGNED8	0 ... 63	0	-
Digits 4.2	Decodable number of digits; in the case of a range, this number defines the upper limit.	27	UNSIGNED8	0 ... 63	0	-
Digits 4.3	Decodable number of digits in the enumeration mode.	28	UNSIGNED8	0 ... 63	0	-
Digits 4.4	Decodable number of digits in the enumeration mode.	29	UNSIGNED8	0 ... 63	0	-
Digits 4.5	Decodable number of digits in the enumeration mode.	30	UNSIGNED8	0 ... 63	0	-
Reading reliability 4	Min. reading reliability to be achieved in order to output a read code.	31	UNSIGNED8	1 ... 100	4	-
Check digit procedure 4	Used check digit procedure.	32.0... 32.6	BitArea	0: Standard check digit evaluation 1: No check digit verification 2: MOD10 Weight 3 3: MOD10 Weight 2 4: MOD10 Weight 4_9 5: MOD11 Cont 6: MOD43 7: MOD16	0	-
Check digit output 4	Turns the check digit output on or off	32.7	Bit	Check digit output 0: Standard 1: Not standard	0	-

a) Specifying a 0 for the number of digits means that this entry is ignored for the device.

Parameter length

33 bytes

Input data

None

Output data

None

Notice on number of digits

If 0 is specified in a field for the number of digits, the corresponding parameter is ignored by the device firmware.

Example:

For a code table entry x, the two code lengths 10 and 12 are to be enabled. For this purpose, the following number of digit entries are necessary:

- Number of digits mode x = 0 (enumeration)
 - Number of digits x.1 = 10
 - Number of digits x.2 = 12
 - Number of digits x.3 = 0
 - Number of digits x.4 = 0
 - Number of digits x.5 = 0

10.5 Overview of the project modules

In the current version, a total of 56 modules are available for use. A device module (see chapter 10.4.4 "Permanently defined parameters/device parameters") is used for basic configuration of the device and is permanently integrated into the project. Further modules may be included into the project according to requirements and application.

The modules fall into the following categories:

- Parameter module for the configuration of the device.
- Status or control modules that influence the input/output data.
- Modules that may include both parameters and control or status information.

A PROFIBUS module defines the existence and meaning of the input and output data. In addition, it defines the necessary parameters. The arrangement of the data within a module is defined.

The composition of the input/output data is defined via the module list.

The device interprets the incoming output data and triggers the appropriate reactions in the device. The interpreter for processing the data is adapted to the module structure during initialization.

The same applies for the input data. Using the module list and the defined module properties, the input data string is formatted and referenced to the internal data.

During cyclic operation, the input data is then passed on to the master.



The modules can be grouped together in any order in the engineering tool. The device offers 56 different modules. Each of these modules may only be selected once; otherwise, the device ignores the configuration. The device checks its max. permissible number of modules. In addition, it checks the max. permissible total length (244 bytes each) of the input and output data over all selected modules. The specific limits of the individual modules of the device are declared in the GSD file.

The following module overview shows the characteristics of the individual modules:


Table 10.6: Module overview

Module	Description	Module identifier	Parameter ^{a)}	Outp. data	Inp. data
Decoder					
Code table extension 1	Extension of the existing code table	1	8	0	0
Code table extension 2	Extension of the existing code table	2	8	0	0
Code table extension 3	Extension of the existing code table	3	8	0	0
Code table extension 4	Extension of the existing code table	4	8	0	0
Code type properties	The module permits changing the muted zones as well as the line-gap ratios	5	6	0	0
Code reconstruction technology	Support of code reconstruction technology	7	3	0	0
Control					
Activations	Control bits for activation of the standard reading operation	10	1	0	1
Reading gate control	Extended control of the reading gate	11	6	0	0
Multi-label	Output of several bar codes per reading gate	12	2	1	0

Module	Description	Module identifier	Parameter ^{a)}	Outp. data	Inp. data
Fragmented read result	Transmission of the read results in the fragmented mode	13	1	2	0
Interlinked read result	Interlinking of the individual read results within one reading gate	14	1	0	0
Result Format					
Decoder state	Status display - decoding	20	0	1	0
Decoding result 1	Bar code information 4 bytes max.	21	0	6	0
Decoding result 2	Bar code information 8 bytes max.	22	0	10	0
Decoding result 3	Bar code information 12 bytes max.	23	0	14	0
Decoding result 4	Bar code information 16 bytes max.	24	0	18	0
Decoding result 5	Bar code information 20 bytes max.	25	0	22	0
Decoding result 6	Bar code information 24 bytes max.	26	0	26	0
Decoding result 7	Bar code information 28 bytes max.	27	0	30	0
Data formatting	Specification for formatting the data output	30	23	0	0
Reading gate number	Number of the reading gate since system start-up	31	0	2	0
Number of scans per reading gate	Number of scans per reading gate	32	0	2	0
Code position	Relative position of the bar code label in the scanning beam	33	0	2	0
Reading reliability	Calculated reading reliability for the transmitted bar code	34	0	2	0
Scans per bar code	Number of scans between the first and the last time of detecting the bar code	35	0	2	0
Scans with information	Number of scans with processed information	36	0	2	0
Decoding quality	Quality of the read result	37	0	1	0
Code direction	Orientation of the bar code	38	0	1	0
Number of digits	Number of digits in the bar code	39	0	1	0
Code type	Bar code type	40	0	1	0
Code position in the swivel range	Code position in the swivel range of an oscillating mirror device	41	0	2	0
Data Processing					
Characteristics filter	Configuration of the characteristics filter	50	TBD	TBD	TBD
Data filtering	Configuration of the data filtering	51	60	0	0
Segmentation acc. to the EAN process	Activation and configuration of the segmentation acc. to the EAN process	52	27	0	0
Segmentation via fixed positions	Activation and configuration of the segmentation via fixed positions	53	37	0	0
Segmentation acc. to identifier and separator	Activation and configuration of the segmentation acc. to identifier and separator	54	29	0	0
String handling parameter	Definition of placeholder characters for bar code segmentation, filtering, completion and reference code processing	55	3	0	0
Device-Functions					
Device status	Display of the device status as well as control bits for reset and standby	60	0	1	1
Laser control	Switch-on and switch-off positions of the laser	61	4	0	0

Module	Description	Module identifier	Parameter ^{a)}	Outp. data	Inp. data
Display	Display parameter settings	62	3	0	0
Alignment	Alignment mode	63	0	1	1
Oscillating mirror	Configuration of the oscillating mirror	64	6	0	0
Deflection mirror	Deflection mirror parameter settings	65	2	0	0
Switching inputs/outputs SWIO					
Switching input/output SWIO1	Parameter settings SWIO1	70	23	0	0
Switching input/output SWIO2	Parameter settings SWIO2	71	23	0	0
Switching input/output SWIO3	Parameter settings SWIO3	72	23	0	0
Switching input/output SWIO4	Parameter settings SWIO4	73	23	0	0
SWIO status and control	Handling of switching input and switching output signals	74	0	2	2
Data output					
Sorting	Sorting support	80	3	0	0
Reference code comparator 1	Definition of the operation mode of reference code comparator 1	81	8	0	0
Reference code comparator 2	Definition of the operation mode of reference code comparator 2	82	8	0	0
Reference code comparison pattern 1	Definition of the 1st comparison pattern	83	31	0	0
Reference code comparison pattern 2	Definition of the 2nd comparison pattern	84	31	0	0
Special Functions					
Status and control	Grouping of multiple status and control bits	90	0	1	0
AutoReflAct	Automatic reflector activation	91	2	0	0
AutoControl	Automatic monitoring of the reading properties	92	3	1	0

a) The number of parameter bytes does not include the constant module number, which is always transmitted in addition.

 For the standard case, at least module 10 (activation) and one of modules 21 ... 27 (decoding result 1 ... 7) should be integrated.

10.6 Decoder modules

10.6.1 Modules 1-4 – Code table extensions 1 to 4

Description

The modules extend the code type tables of the device parameters and permit the additional definition of further 4 code types together with the respective number of digits.

Parameter

Table 10.7: Parameters for modules 1-4

Parameter	Description	Rel. Addr.	Data type	Value range	Default	Unit
Code type	Released code type; no code means that all subsequent code tables are also deactivated. The valid number of digits also depends on the code type.	0.0 ... 0.5	BitArea	0: No code 1: 2/5 Interleaved 2: Code39 3: Code32 6: UPC, UPCE 7: EAN8, EAN13 8: Code128 10: EAN Addendum 11: Codabar 12: Code93 13: RSS-14 14: RSS Limited 15: RSS Expanded	0	-
Number-of-digits mode	Interpretation of the number of digits.	1.6	Bit	0: Enumeration 1: Range	0	-
Digits 1 ^{a)}	Decodable number of digits; in the case of a range, this number defines the lower limit.	1.0 ... 1.5	UNSIGNED8	0 ... 63	0	-
Digits 2	Decodable number of digits; in the case of a range, this number defines the upper limit.	2	UNSIGNED8	0 ... 63	0	-
Digits 3	Decodable number of digits in the enumeration mode.	3	UNSIGNED8	0 ... 63	0	-
Digits 4	Decodable number of digits in the enumeration mode.	4	UNSIGNED8	0 ... 63	0	-
Digits 5	Decodable number of digits in the enumeration mode.	5	UNSIGNED8	0 ... 63	0	-
Reading reliability	Min. reading reliability to be achieved in order to output a read code.	6	UNSIGNED8	1 ... 100	4	-
Check digit procedure	Used check digit procedure.	7.0 ... 7.6	BitArea	0: Standard check digit evaluation 1: No check digit verification 2: MOD10 Weight 3 3: MOD10 Weight 2 4: MOD10 Weight 4_9 5: MOD11 Cont 6: MOD43 7: MOD16	0	-
Check digit output	Turns the check digit output on or off. Standard means that the check digit is transmitted according to the applicable standard for the selected code type. If no check digit transmission is intended for the selected code type, then "Standard" means that the check digit is not transmitted and "Not Standard" means that the check digit is transmitted anyway.	7.7	Bit	Check digit output 0: Standard 1: Not standard	0	-

a) Refer to the notice on the number of digits (see chapter 10.4.4 "Permanently defined parameters/device parameters").

Parameter length

8 bytes

Input data

None

Output data

None

10.6.2 Module 5 – Code type features (symbology)

Description

The module defines extended features for various code types.

Parameter

Table 10.8: Parameters for module 5

Parameter	Description	Addr.	Data type	Value range	Default	Unit
Maximum width deviation	Max. permitted width deviation of a character in percent of the directly adjacent character.	0	UNSIGNED8	0 ... 100	15	%
Code 39 max. element ratio	Permissible ratio between maximum and minimum element of Code 39.	1	UNSIGNED8	0 ... 255	8	-
Code 39 character gap	Permissible ratio for the gap between two characters for Code 39.	2	UNSIGNED8	0 ... 255	3	-
Codabar max. element ratio	Permissible ratio between maximum and minimum element of the Codabar code.	3	UNSIGNED8	0 ... 255	8	-
Codabar character gap	Permissible ratio for the gap between two characters for the Codabar code.	4	UNSIGNED8	0 ... 255	3	-
Codabar Monarch Mode	The decoding of a Monarch bar code as Codabar bar code can be switched on or off.	5.0	Bit	0: Off 1: On	0	-
Codabar start/stop character	Switches the transmission of a start and stop character for the Codabar code on and off.	5.1	Bit	0: Off 1: On	0	-
UPC-E extension	Switches the extension of a UPC-E code to a UPC-A result on and off.	5.4	Bit	0: Off 1: On	0	-
Code 128: activate EAN header	Switches the output of the EAN header on and off.	5.5	Bit	0: Off 1: On	0	-
Code 39 conversion	Defines the conversion method used for Code 39.	5.6 ... 5.7	BitArea	0: Standard (usual conversion method) 1: Standard ASCII (combination of standard method and ASCII method) 2: ASCII (This conversion method uses the entire ASCII character set)	0	-

Parameter length

6 byte

Input data

None

Output data

None

10.6.3 Module 7 – Code reconstruction technology

Description

Module for supporting the code reconstruction technology.

Parameter

Table 10.9: Parameters for module 7

Parameter	Description	Addr.	Data type	Value range	Default	Unit
Maximum width ratio	The maximum width ratio is used to determine the light zones. The light zones identify the beginning or end of patterns.	0	UNSIGNED8	0 ... 255	13	-
Minimum number of elements	A pattern must have at least this minimum number of duo-elements, i.e. no patterns which have fewer duo-elements.	1 ... 2	UNSIGNED16	2 ... 400	6	-
Code fragment mode	This parameter can be used to switch CRT mode on and off.	3.0	Bit	0: Switched off 1: Switched on	1	-
Processing end at end of label	If this parameter is set, a decoded bar code is only completely decoded after the scanning beam has exited the entire bar code.	3.2	Bit	0: Switched off 1: Switched on	0	-

Parameter length

4 byte

Input data

None

Output data

None

Processing end at end of label:

If this parameter is set, a decoded bar code is only completely decoded after the scanning beam has exited the entire bar code. This mode is useful if the quality of the bar code is to be assessed, since more scans are now available for the quality evaluation of the bar code.

This parameter should be set if the AutoControl function is activated (see chapter 10.15.3 "Module 92 – AutoControl"). If the parameter is not set, the bar code is immediately detected and processed further as soon as all necessary bar code elements are available.

10.7 Control modules

10.7.1 Module 10 – Activations

Description

The module defines the control signals for the reading operation of the bar code reader. It is possible to select between standard reading operation and handshake operation.

In handshake operation, the controller must acknowledge the data reception via the ACK bit before the new data is written into the input area.

After acknowledging the last decoding result, the input data is reset (filled with zeros).

Parameter

Table 10.10: Parameters for module 10

Parameter	Description	Addr.	Data type	Value range	Default	Unit
Mode	The parameter defines the mode in which the activation module is operated.	0	UNSIGNED8	0: Without ACK ^{a)} 1: With ACK ^{b)}	0	-

a) corresponds to BCL34 module 18

b) corresponds to BCL34 module 19

Parameter length

1 byte

Input data

None

Output data

Table 10.11: Output data for module 10

Output data	Description	Addr.	Data type	Value range	Init value	Unit
Reading gate	Signal for activating the reading gate	0.0	Bit	1 -> 0: Reading gate off 0 -> 1: Reading gate active	0	-
	Free	0.1	Bit		0	-
	Free	0.2	Bit		0	-
	Free	0.3	Bit		0	-
Data acknowledgement	This control bit signals that the transmitted data have been processed by the master. Only relevant in handshake mode (with ACK).	0.4	Bit	0 -> 1: Data has been processed by the master 1 -> 0: Data has been processed by the master	0	-

Output data	Description	Addr.	Data type	Value range	Init value	Unit
Data reset	Deletes decoding results that may have been stored and resets the input data of all modules.	0.5	Bit	0 -> 1: Data reset	0	-
	Free	0.6	Bit			
	Free	0.7	Bit			

Output data length

1 byte consistent



If several bar codes are decoded in sequence without the acknowledge mode having been activated, the input data of the result modules are overwritten with the respective most recently read decoding result. If a data loss in the control is to be avoided in such a case, mode 1 (with Ack) should be activated. If multiple decoding results occur within one reading gate, it is possible - dependent on the cycle time - that only the last decoding result is visible on the bus. In this case, the acknowledge mode **MUST** be used. There is otherwise a risk of data loss. Multiple, individual decoding results may occur within one reading gate if module 12 – Multi-label (see chapter 10.7.3) or one of the identifier modules (see chapter 10.10) is used.

Data reset behavior:

If the data reset control bit is activated, the following actions are carried out:

1. Deletion of decoding results that may still be stored.
2. Reset of module 13 - fragmented read result (see chapter 10.7.4), i.e., even a partially transmitted read result is deleted.
3. Deletion of the input data areas of all modules. Exception: The input data of module 60 - device status (see chapter 10.11.1) is not deleted. For the status byte of decoding result modules 20 ... 27 (see chapter 10.8.2), the two toggle bytes and the reading gate status remain unchanged.

10.7.2 Module 11 – Reading gate control

Description

With the module, the reading gate control of the bar code reader can be adapted to the application. With different parameters from the bar code reader, a time-controlled reading gate may be created. In addition, it defines the internal criteria for the reading gate end and the completeness inspection.

Parameter

Table 10.12: Parameters for module 11

Parameter	Description	Addr.	Data type	Value range	Default	Unit
Automatic reading gate repeat	The parameter defines the automatic repeat of reading gates.	0	Byte	0: No 1: Yes	0	-
Reading gate end mode/completeness mode	This parameter can be used to configure the completeness inspection.	1	Byte	0: Independent of decoding, i.e., the reading gate is not terminated prematurely. 1: Dependent on decoding, i.e., the reading gate is terminated if the configured number of bar codes to be decoded has been reached. ^{a)} 2: DigitRef table-dependent, i.e., the reading gate is terminated if each bar code stored in the code type table has been decoded. ^{b)} 3: Ident list dependent, i.e., the reading gate is terminated if each identifier stored in a list could be segmented via a respective bar code segmentation. ^{c)} 4: Reference code comparison, i.e., the reading gate is terminated if a positive reference code comparison has taken place. ^{d)}	1	-
Restart delay	The parameter specifies a time after which a reading gate is restarted. The device generates its own periodic reading gate. The configured time is active only if the automatic reading gate repeat is switched on.	2	UNSIGNED16	0 ... 65535	0	ms
Max. reading gate time when scanning	The parameter switches off the reading gate after the set time has elapsed, thus limiting the reading gate to the set period.	4	UNSIGNED16	1 ... 65535 0: Reading gate deactivation is switched off.	0	ms

a) see chapter 10.7.2 "Module 11 – Reading gate control"

b) Corresponds to the settings made via the device module (see chapter 10.4.4, see chapter 10.6.1).

c) see chapter 10.10, modules 52-54, identifier filter string

d) see chapter 10.14.3, see chapter 10.14.4

Parameter length

6 byte

Input data

None

Output data

None

10.7.3 Module 12 – Multi-label

Description

The module permits the definition of multiple bar codes with a different number of digits and/or code types in the reading gate and provides the necessary input data.

Parameter

Table 10.13: Parameters for module 12

Parameter	Description	Addr.	Data type	Value range	Default	Unit
Minimum number of bar codes	Minimum number of different bar codes scanned for per reading gate.	0	UNSIGNED8	0 ... 64	1	-
Maximum number of bar codes	Maximum number of different bar codes scanned for per reading gate. Only if this number of bar codes has been reached, the reading gate is terminated prematurely. ^{a)}	1	UNSIGNED8	0 ... 64	1	-

a) see chapter 10.7.2, Parameters "Reading gate termination mode"

Parameter length

2 bytes

Input data

Table 10.14: Input data for module 12

Input data	Description	Addr.	Data type	Value range	Init value	Unit
Number of decoding results	Number of decoding results which have not been fetched.	0	UNSIGNED8	0 ... 255	0	-

Input data length

1 byte

Output data

None

This module is used to set the maximum and minimum number of bar codes which are to be decoded within a reading gate.

If parameter "Minimum number of bar codes" = 0, it is not taken into account at the decoder controller. If it is not equal to 0, this means that the bar code reader expects a number of labels within the set range.

If the number of decoded bar codes is within the set limits, no additional "No Reads" are output.



When using this module, the ACK mode should be activated (see chapter 10.7.1 "Module 10 – Activations", "Mode" parameter). Otherwise there is a risk of losing decoding results if the control is not fast enough.

10.7.4 Module 13 – Fragmented read result

Description

The module defines the transfer of fragmented read results. To occupy few i/o-data, the read results may be split into several fragments with this module. The fragments can then be transmitted one after another with a handshake.

Parameter

Table 10.15: Parameters for module 13

Parameter	Description	Addr.	Data type	Value range	Default	Unit
Fragment length	The parameter defines the maximum length of the bar code information per fragment.	0	UNSIGNED8	1 ... 28	0	-

Parameter length

1 byte

Input data

Table 10.16: Input data for module 13

Input data	Description	Addr.	Data type	Value range	Init value	Unit
Fragment number	Current fragment number	0.0 ... 0.3	Bitarea	0 ... 15	0	-
Remaining fragments	Number of fragments which still have to be read for a complete result.	0.4 ... 0.7	Bitarea	0 ... 15	0	-
Fragment size	Fragment length, always corresponds to the configured fragment length, except for the last fragment.	1	UNSIGNED8	0 ... 28	0	-

Input data length

2 byte consistent

Output data

None

10.7.5 Module 14 – Interlinked read result

Description

This module is used to switch to a mode in which all decoding results within one reading gate are combined into a single read result.

Parameter

Table 10.17: Parameters for module 14

Parameter	Description	Addr.	Data type	Value range	Default	Unit
Separator character	This parameter is used to define a delimiter that is inserted between two individual decoding results.	0	UNSIGNED8	1 ... 255 0: No delimiter is used.	;	-

Parameter length

1 byte

Input data

None

Output data

None



An interlinked read result also requires module 12 – Multi-label. In this mode, the additional information transmitted in modules 31ff relates to the last decoding result in the chain.

10.8 Result Format

In the following various modules for the output of decoding results are listed. They have the same structure but different output lengths. The PROFIBUS module concept does not cater for modules of variable data length.



Modules 20 ... 27 are, thus, to be regarded as alternatives and should not be used in parallel. Modules 30 ... 40, on the other hand, can be combined freely with the decoding result modules.

10.8.1 Module 20 – Decoder state

Description

The module indicates the state of the decoding and of the automatic decoder configuration.

Parameter

None

Input data

Table 10.18: Input data for module 20

Input data	Description	Addr.	Data type	Value range	Init value	Unit
Reading gate state	The signal indicates the current state of the reading gate ^{a)} .	0.0	Bit	0: Off 1: On	0	-
New result	The signal indicates whether a new decoding has occurred.	0.1	Bit	0: No 1: Yes	0	-
Result state	The signal indicates whether the bar code has been read successfully.	0.2	Bit	0: Successful reading 1: NOREAD	0	-
Further results in the buffer	The signal indicates whether further results are in the buffer.	0.3	Bit	0: No 1: Yes	0	-
Buffer overflow	The signal indicates that result buffers are occupied and the decoder rejects data.	0.4	Bit	0: No 1: Yes	0	-
New decoding	Toggle bit indicates whether decoding has occurred.	0.5	Bit	0->1: New result 1->0: New result	0	-
Result state	Toggle bit indicates that the bar code has not been read.	0.6	Bit	0->1: NOREAD 1->0: NOREAD	0	-
Waiting for acknowledgement	This signal represents the internal state of the control.	0.7	Bit	0: Base state 1: Control waiting for acknowledgement from the PROFIBUS master	0	-

a) Attention: This does not necessarily correspond to the state at the time the bar code is scanned

Input data length

1 byte

Output data

None

Remarks

The following bits are constantly updated, i.e. they are updated immediately after the respective event occurs:

Reading gate state

- Further results in the buffer
- Buffer overflow
- Waiting for acknowledgement

All other flags refer to the currently output decoding result.

If the input data is reset to the init. value, the following bits are deleted (see chapter 10.8.3 "Module 30 – Data formatting"):

- New result
- Result state

All others remain unchanged.

Data reset behavior:

Upon data reset the input data is deleted, except for the reading gate status and the two toggle bits (see chapter 10.7.1 "Module 10 – Activations").

10.8.2 Modules 21-27 – Decoding result

Description

The module defines the transfer of the actually decoded read results. The data is transmitted consistently over the entire range.

Parameter

None

Input data

Table 10.19: Input data for modules 21 ... 27

Module no.	Input data	Description	Addr.	Data type	Value range	Init value	Unit
21 ... 27	Reading gate state	The signal indicates the current state of the reading gate. ^{a)}	0.0	Bit	0: Off 1: On	0	-
21 ... 27	New result	Signal indicates whether a new decoding result is present.	0.1	Bit	0: No 1: Yes	0	-
21 ... 27	Result state	Signal indicates whether the bar code has been read successfully.	0.2	Bit	0: Successful reading 1: NOREAD	0	-
21 ... 27	Further results in the buffer	Signal indicates whether further results are in the buffer.	0.3	Bit	0: No 1: Yes	0	-
21 ... 27	Buffer overflow	Signal indicates that result buffers are occupied and the decoder rejects data.	0.4	Bit	0: No 1: Yes	0	-
21 ... 27	New result	Toggle bit, indicates that a new decoding result is present.	0.5	Bit	0->1: New result 1->0: New result	0	-
21 ... 27	Result state	Toggle bit indicates that the bar code has not been read.	0.6	Bit	0->1: NOREAD 1->0: NOREAD	0	-
21 ... 27	Waiting for acknowledgement	This signal represents the internal state of the control.	0.7	Bit	0: Base state 1: Control waiting for acknowledgement from the PROFIBUS master	0	-
21 ... 27	Bar code data length	Data length of the actual bar code information. ^{b)}	1	UNSIGNED8	0-48	0	-
21	Data	Bar code information with a length of consistently 4 bytes.	2..	4x UNSIGNED8	0-FFh	0	-
22	Data	Bar code information with a length of consistently 8 bytes.	2..	8x UNSIGNED8	0-FFh	0	-
23	Data	Bar code information with a length of consistently 12 bytes.	2..	12x UNSIGNED8	0-FFh	0	-
24	Data	Bar code information with a length of consistently 16 bytes.	2..	16x UNSIGNED8	0-FFh	0	-
25	Data	Bar code information with a length of consistently 20 bytes.	2..	20x UNSIGNED8	0-FFh	0	-
26	Data	Bar code information with a length of consistently 24 bytes.	2..	24x UNSIGNED8	0-FFh	0	-
27	Data	Bar code information with a length of consistently 28 bytes.	2..	28x UNSIGNED8	0-FFh	0	-

a) Attention: This does not necessarily correspond to the state at the time the bar code is scanned

b) If the bar code information (bar code and, possibly, other items such as the check sum) fits in the selected module width, this value reflects the length of the transmitted data. A value larger than the module width indicates a loss of information caused by a module width which has been selected too small.

Input data

2 bytes consistently + 4..28 bytes of bar code information depending on the module

Output data

None

Remarks

The remarks for module 20 – decoder state, apply in an analogous manner. In addition, all bytes beginning with address 1 are reset to the init. value.



Shortening decoding results that are too long: If the bar code information (bar code possibly including supplementary information such as the check sum) does not fit in the selected module width, the decoding results are shortened. This shortening is either from the left or the right depending on the setting in module 30 – Data formatting.

Shortening is indicated by the passed bar code data length.

10.8.3 Module 30 – Data formatting

Description

The module defines the output string for the case that the device could not read a bar code. In addition, the initialization of the data fields and the definition of unused data ranges may be set.

Parameter

Table 10.20: Parameters for module 30

Parameter	Description	Addr.	Data type	Value range	Default	Unit
Text in the case of misreading	The parameter defines the output characters if no bar code could be read.	0	STRING 20 characters null terminated	1 ... 20 bytes of ASCII characters	63 („?“)	-
Decoding result at reading gate start	The parameter defines the state of the data at the start of the reading gate.	20.5	Bit	0: Input data remain on the old value 1: Input data is reset to the init value	0	-
Data alignment	The parameter defines the alignment of the data in the result field ^{a)}	21.1	Bit	0: Left-justified 1: Right-justified	0	-
Fill mode	The parameter defines the fill mode for the unoccupied data ranges	21.4 ... 21.7	Bitarea	0: No fill up 3: Fill up to the transmission length	3	-
Fill character	The parameter defines the character which is used for filling up the data ranges.	22	UNSIGNED8	0 ... FFh	0	-

a) and thus also controls possible shortening of a decoding result that is too large.

Parameter length

23 byte

Input data

None

Output data

None

Comment

The "decoding result at reading gate start" parameter is only taken into account if the "Without ACK" mode is set (see chapter 10.7.1 "Module 10 – Activations").

10.8.4 Module 31 – Reading gate number

Description

The module defines input data for the communication of the number of reading gates since system start.

Parameter

None

Input data

Table 10.21: Input data for module 31

Input data	Description	Addr.	Data type	Value range	Init value	Unit
Reading gate number	The device transmits the current reading gate number. The reading gate number is initialized with the system start and is then incremented continuously. At 65535, an overflow occurs and the counter starts afresh from 0.	0 ... 1	UNSIGNED16	0 ... 65535	0	-

Input data length

2 byte consistent

Output data

None

10.8.5 Module 32 – Reading gate time

Description

This module returns the time between opening and closing of the last reading gate.

Parameter

None

Input data

Table 10.22: Input data for module 32

Input data	Description	Addr.	Data type	Value range	Init value	Unit
Opening duration of the reading gate	Opening duration of the last reading gate in ms.	0 ... 1	UNSIGNED16	0 ... 65535 If the range is exceeded, the value remains at 65535	0	ms

Input data length

2 byte consistent

Output data

None

10.8.6 Module 33 – Code position

Description

The module defines input data for the communication of the relative bar code position in the laser beam.

Parameter

None

Input data

Table 10.23: Input data for module 33

Input data	Description	Addr.	Data type	Value range	Init value	Unit
Code position	Relative position of the bar code in the scanner beam. The position is normalized to the zero position (middle position). Specified in 1/10 degrees.	0 ... 1	SIGNED16	±450	0	1/10 degree

Input data length

2 byte consistent

Output data

None

10.8.7 Module 34 – Reading reliability (equal scans)

Description

The module defines the input data for the communication of the calculated reading reliability. The value refers to the currently output bar code.

Parameter

None

Input data

Table 10.24: Input data for module 34

Input data	Description	Addr.	Data type	Value range	Init value	Unit
Reading reliability (Equal scans)	Calculated reading reliability for the transmitted bar code.	0 ... 1	UNSIGNED16	0 ... 65535	0	-

Input data length

2 byte consistent

Output data

None

10.8.8 Module 35 – Bar code length

Description

The module defines the input data for the communication of the length of the currently output bar code.

Parameter

None

Input data

Table 10.25: Input data for module 35

Input data	Description	Addr.	Data type	Value range	Init value	Unit
Bar code length	Length/duration of the currently output bar code, beginning with the code position specified in module 35 in 1/10 degrees.	0 ... 1	UNSIGNED16	1 ... 900	1	1/10 degree

Input data length

2 byte consistent

Output data

None

10.8.9 Module 36 – Scans with information

Description

The module defines input data for the communication of the calculated number of scans which provided information contributing to the result of the bar code.

Parameter

None

Input data

Table 10.26: Input data for module 36

Input data	Description	Addr.	Data type	Value range	Init value	Unit
Scans with information per bar code	See above	0 ... 1	UNSIGNED16	0 ... 65535	0	-

Input data length

2 byte consistent

Output data

None

10.8.10 Module 37 – Decoding quality

Description

The module defines input data for the communication of the calculated decoding quality of the currently transmitted bar code.

Parameter

None

Input data

Table 10.27: Input data for module 37

Input data	Description	Addr.	Data type	Value range	Init value	Unit
Decoding quality	Decoding quality of the transmitted bar code	0	UNSIGNED8	0 ... 100	0	1%

Input data length

1 byte consistent

Output data

None

10.8.11 Module 38 – Code direction

Description

The module defines input data for the communication of the detected code direction of the currently transmitted bar code.

Parameter

None

Input data

Table 10.28: Input data for module 38

Input data	Description	Addr.	Data type	Value range	Init value	Unit
Code direction	Code direction of the transmitted bar code	0	UNSIGNED8	0: Normal 1: Inverted 2: Unknown	0	-

Input data length

1 byte

Output data

None

Comment:

A decoding result of type "No Read" has as code direction the value 2 = unknown!

10.8.12 Module 39 – Number of digits

Description

The module defines input data for the communication of the number of digits of the currently transmitted bar code.

Parameter

None

Input data

Table 10.29: Input data for module 39

Input data	Description	Addr.	Data type	Value range	Init value	Unit
Number of digits	Number of digits of the transmitted bar code	0	UNSIGNED8	0 ... 48	0	-

Input data length

1 byte

Output data

None

10.8.13 Module 40 – Code type

Description

The module defines the input data for the communication of the code type of the currently transmitted bar code.

Parameter

None

Input data

Table 10.30: Input data for module 40

Input data	Description	Addr.	Data type	Value range	Init value	Unit
Code type	Code type of the transmitted bar code	0	UNSIGNED8	0: No code 1: 2/5 Interleaved 2: Code39 6: UPC, UPCE 7: EAN8, EAN13 8: Code128, EAN128 10: EAN Addendum 11: Codabar 12: Code93 13: RSS-14 14: RSS Limited 15: RSS Expanded	0	-

Input data length

1 byte

Output data

None

10.8.14 Module 41 – Code position in the swivel range

Description

The module defines input data for the communication of the relative bar code position in the swivel range of an oscillating mirror device.

Parameter

None

Input data

Table 10.31: Input data for module 41

Input data	Description	Addr.	Data type	Value range	Init value	Unit
Position in the swivel range	Relative position of the bar code in the swivel range. The position is normalized to the zero position (middle position). Specified in 1/10 degrees.	0 ... 1	SIGNED16	-200 ... +200	0	1/10°

Input data length

2 bytes

Output data

None

10.9 Data Processing

10.9.1 Module 50 – Characteristics filter

Description

Configuration of the characteristics filter. This filter can be used to set how bar codes with identical content are handled and what criteria are to be taken into account in determining the likeness.

Parameter

Table 10.32: Parameters for module 50

Parameter	Description	Addr.	Data type	Value range	Default	Unit
Handling of identical bar code information	Determines how bar codes with the same content are to be managed	0	UNSIGNED8	0: All bar codes are stored and output. 1: Only non-identical bar code contents are output. 2: Two identical bar codes arranged in T-shape are treated as a single bar code.	1	-
Comparison parameter - code type	If this criterion has been activated, the bar code type is used to determine whether the bar codes are identical.	1.0	Bit	0: deactivated 1: activated	1	-
Comparison parameter - bar code content	If this criterion has been activated, the bar code content is used to determine whether the bar codes are identical.	1.1	Bit	0: deactivated 1: activated	1	-
Comparison parameter - bar code direction	If this criterion has been activated, the bar code direction is used to determine whether the bar codes are identical.	1.2	Bit	0: deactivated 1: activated	1	-
Comparison parameter - scan position	If this parameter is not equal to 0, the bar code position in the scanning beam is used to determine whether identical bar codes have already been decoded. In this case, a +/- bandwidth in degrees must be specified, within which the same bar code is permitted to be in the scanning beam.	2 ... 3	UNSIGNED16	0 ... 450	0	1/10 degree
Comparison parameter - oscillating mirror position	If this parameter is not equal to 0, the bar code position in the swivel range of the oscillating mirror is used to determine whether identical bar codes have already been decoded. A +/- bandwidth in degrees must then be specified, within which the same bar code is permitted to be in the oscillating mirror swivel range.	4 ... 5	UNSIGNED16	0 ... 200	0	1/10 degree
Comparison parameter - scanning time info	If this parameter is not equal to 0, the decoding time (time at which the bar code was decoded) is used to determine whether identical bar codes have already been detected. Here, a difference time specified in milliseconds ensures that identical bar codes may only occur within this time.	6 ... 7	UNSIGNED16	0 ... 65535	0	ms

Parameter length

8 byte

Input data

None

Output data

None

All comparison criteria are AND linked; this means all active comparisons must be fulfilled before the just-decoded bar code can be identified as already decoded and then deleted.

10.9.2 Module 51 – Data filtering

Description

Configuration of the data filter.

Parameter

Table 10.33: Parameters for module 51

Parameter	Description	Addr.	Data type	Value range	Default	Unit
Bar code filter string 1	Filter expression 1	0	STRING 30 characters null terminated	1 ... 30 bytes of ASCII characters	\00	-
Bar code filter string 2	Filter expression 2	30	STRING 30 characters null terminated	1 ... 30 bytes of ASCII characters	\00	-

Parameter length

60 byte

Input data

None

Output data

None

Filter string

The filter string is used to define passthrough filters for bar codes.

An arbitrary number of '?' are permitted as placeholders for an arbitrary character at exactly this position. Also permitted are '*' as placeholders for a character sequence of arbitrary length, and an 'x' if the character at the respective position is to be deleted.

10.10 Identifier

The following modules can be used to specify the segmentation process to be used when extracting identifiers from the bar code data.

When a module is configured, the associated segmentation process is activated. If none of the modules is configured, no segmentation takes place.

Therefore, the modules can only be used one at a time and not simultaneously.



When using one of the following modules, multiple results may occur within a reading gate.

If there are multiple results, acknowledge mode must be used; data may otherwise be lost (see chapter 10.7.1 "Module 10 – Activations", "Mode" parameter and the additional notices)!

10.10.1 Module 52 – Segmentation according to the EAN process

Description

The module activates the segmentation according to the EAN process. The parameters specify the identifiers to searched for and the output mode.

Parameter

Table 10.34: Parameters for module 52

Parameter	Description	Addr.	Data type	Value range	Default	Unit
Identifier list						
Identifier 1	The identifier string is used for the identifier list and the filtering according to the segmentation.	0	STRING 5 characters null terminated	1 ... 5 bytes of ASCII characters	**	-
Identifier 2	See identifier 1.	5	STRING 5 characters null terminated	1 ... 5 bytes of ASCII characters	\0	-
Identifier 3	See identifier 1.	10	STRING 5 characters null terminated	1 ... 5 bytes of ASCII characters	\0	-
Identifier 4	See identifier 1.	15	STRING 5 characters null terminated	1 ... 5 bytes of ASCII characters	\0	-
Identifier 5	See identifier 1.	20	STRING 5 characters null terminated	1 ... 5 bytes of ASCII characters	\0	-
Identifier output						
Output with identifier	If this switch is not set, the output of the identifiers is suppressed. Only the data values that belong to the identifiers are displayed in this case.	25.0	Bit	0: Output of the identifiers is suppressed. 1: Identifiers are output.	1	-
Output delimiter	This delimiter, if not equal to 0, is inserted between the identifier and the associated data value in the output.	26	UNSIGNED8	0 ... 127	0	-

Parameter length

27 byte

Input data

None

Output data

None

Identifier string n (n = 1 ... 5)

The identifier string defines both the identifier list for the segmentation and the passthrough filter for the subsequent filtering.

The string may contain wildcards. That is, an arbitrary number of '?' are permitted as placeholders for an arbitrary character at exactly that position.

Also permitted are '*' as placeholders for a character sequence of arbitrary length, and an 'x' if the character at the respective position is to be deleted. There are a total of 5 identifier strings.

An identifier with less than 5 characters must be null terminated. However, if the identifier string consists of exactly 5 characters, it does not have to be null terminated.

10.10.2 Module 53 – Segmentation via fixed positions

Description

The module activates the segmentation via fixed positions. The parameters specify the identifiers to be searched for, the output mode, and the positions.

Parameter

Table 10.35: Parameters for module 53

Parameter	Description	Addr.	Data type	Value range	Default	Unit
Identifier list						
Identifier 1	The identifier string is used for the identifier list and the filtering according to the segmentation.	0	STRING 5 characters null terminated	1 ... 5 bytes of ASCII characters	**	-
Identifier 2	See identifier 1.	5	STRING 5 characters null terminated	1 ... 5 bytes of ASCII characters	\0	-
Identifier 3	See identifier 1.	10	STRING 5 characters null terminated	1 ... 5 bytes of ASCII characters	\0	-
Identifier 4	See identifier 1.	15	STRING 5 characters null terminated	1 ... 5 bytes of ASCII characters	\0	-
Identifier 5	See identifier 1.	20	STRING 5 characters null terminated	1 ... 5 bytes of ASCII characters	\0	-
Identifier output						
Output with identifier	If this switch is not set, the output of the identifiers is suppressed. Only the data values that belong to the identifiers are displayed in this case.	25.0	Bit	0: Output of the identifiers is suppressed. 1: Identifiers are output.	1	-
Output delimiter	This delimiter, if not equal to 0, is inserted between the identifier and the associated data value in the output.	26	UNSIGNED8	0 ... 127	0	-
Fixed positions						
Start position of the 1st identifier	Specifies the position of the first character of the first identifier in the data string of the bar code. The first character in the bar code has position 1. If the parameter is = 0, it is deactivated.	27	UNSIGNED8	0 ... 127	0	-
Start position of the 1st data value	Specifies the position of the first character of the first data value in the data string of the bar code. The first character in the bar code has position 1. If the parameter is = 0, it is deactivated.	28	UNSIGNED8	0 ... 127	0	-
Start position of the 2nd identifier	Specifies the position of the first character of the second identifier in the data string of the bar code. The first character in the bar code has position 1. If the parameter is = 0, it is deactivated.	29	UNSIGNED8	0 ... 127	0	-
Start position of the 2nd data value	Specifies the position of the first character of the second data value in the data string of the bar code. The first character in the bar code has position 1. If the parameter is = 0, it is deactivated.	30	UNSIGNED8	0 ... 127	0	-
Start position of the 3rd identifier	Specifies the position of the first character of the third identifier in the data string of the bar code. The first character in the bar code has position 1. If the parameter is = 0, it is deactivated.	31	UNSIGNED8	0 ... 127	0	-
Start position of the 3rd data value	Specifies the position of the first character of the third data value in the data string of the bar code. The first character in the bar code has position 1. If the parameter is = 0, it is deactivated.	32	UNSIGNED8	0 ... 127	0	-

Parameter	Description	Addr.	Data type	Value range	Default	Unit
Start position of the 4th identifier	Specifies the position of the first character of the fourth identifier in the data string of the bar code. The first character in the bar code has position 1. If the parameter is = 0, it is deactivated.	33	UNSIGNED8	0 ... 127	0	-
Start position of the 4th data value	Specifies the position of the first character of the fourth data value in the data string of the bar code. The first character in the bar code has position 1. If the parameter is = 0, it is deactivated.	34	UNSIGNED8	0 ... 127	0	-
Start position of the 5th identifier	Specifies the position of the first character of the fifth identifier in the data string of the bar code. The first character in the bar code has position 1. If the parameter is = 0, it is deactivated.	35	UNSIGNED8	0 ... 127	0	-
Start position of the 5th data value	Specifies the position of the first character of the fifth data value in the data string of the bar code. The first character in the bar code has position 1. If the parameter is = 0, it is deactivated.	36	UNSIGNED8	0 ... 127	0	-

Parameter length

37 byte

Input data

None

Output data

None

Identifier string n (n = 1 ... 5)

The identifier string defines both the identifier list for the segmentation and the passthrough filter for the subsequent filtering.

The string may contain wildcards. That is, an arbitrary number of '?' are permitted as placeholders for an arbitrary character at exactly that position.

Also permitted are '*' as placeholders for a character sequence of arbitrary length, and an 'x' if the character at the respective position is to be deleted. There are a total of 5 identifier strings.

An identifier with less than 5 characters must be null terminated. However, if the identifier string consists of exactly 5 characters, it does not have to be null terminated.

10.10.3 Module 54 – Segmentation according to identifier and separator

Description

This module activates the segmentation according to identifier and separator. The parameters specify the identifiers to be searched for, the output mode, and the parameters for the identifier/separator algorithm.

Parameter

Table 10.36: Parameters for module 54

Parameter	Description	Addr.	Data type	Value range	Default	Unit
Identifier list						
Identifier 1	The identifier string is used for the identifier list and the filtering according to the segmentation.	0	STRING 5 characters null terminated	1 ... 5 bytes of ASCII characters	**	-
Identifier 2	See identifier 1.	5	STRING 5 characters null terminated	1 ... 5 bytes of ASCII characters	\0	-
Identifier 3	See identifier 1.	10	STRING 5 characters null terminated	1 ... 5 bytes of ASCII characters	\0	-

Parameter	Description	Addr.	Data type	Value range	Default	Unit
Identifier 4	See identifier 1.	15	STRING 5 characters null terminated	1 ... 5 bytes of ASCII characters	\0	-
Identifier 5	See identifier 1.	20	STRING 5 characters null terminated	1 ... 5 bytes of ASCII characters	\0	-
Identifier output						
Output with identifier	If this switch is not set, the output of the identifiers is suppressed. Only the data values that belong to the identifiers are displayed in this case.	25.0	Bit	0: Output of the identifiers is suppressed. 1: Identifiers are output.	1	-
Output delimiter	This delimiter, if not equal to 0, is inserted between the identifier and the associated data value in the output.	26	UNSIGNED8	0 ... 127	0	-
Segmentation acc. to identifier and separator						
Identifier length	Fixed length of all identifiers in the segmentation process. After this length, the text of the identifier ends and the associated data value starts. The end of the data value is determined by the separator.	27	UNSIGNED8	0 ... 255	0	-
Delimiter in the identifier/separator algorithm	The separator terminates the data value that follows its identifier directly after the identifier length. After the separator, the next identifier starts.	28	UNSIGNED8	0 ... 127	0	-

Parameter length

29 byte

Input data

None

Output data

None

Identifier string n (n = 1 ... 5)

The identifier string defines both the identifier list for the segmentation and the passthrough filter for the subsequent filtering.

The string may contain wildcards. That is, an arbitrary number of '?' are permitted as placeholders for an arbitrary character at exactly that position.

Also permitted are '*' as placeholders for a character sequence of arbitrary length, and an 'x' if the character at the respective position is to be deleted. There are a total of 5 identifier strings.

An identifier with less than 5 characters must be null terminated. However, if the identifier string consists of exactly 5 characters, it does not have to be null terminated.

10.10.4 Module 55 – String handling parameters

Description

This module is used to configure placeholder characters for the bar code segmentation, filtering, termination, and reference code processing.

Parameter

Table 10.37: Parameters for module 55

Parameter	Description	Addr.	Data type	Value range	Default	Unit
Wildcard character	This parameter is similar to the "don't care character" parameter. The difference between this and the "don't care character" is that all subsequent characters, and not only one character at a certain position, are disregarded until a character pattern is found in the string that follows the wildcard character pattern. This character has the same behavior as the wildcard character for the DIR command in the command line interpreter under Windows.	0	UNSIGNED8	32 ... 127	'**'	-
Don't care character	Placeholder character. Characters at the position of the placeholder character are ignored in a comparison. This permits certain areas to be masked.	1	UNSIGNED8	32 ... 127	'?'	-
Delete character	Delete character for bar code and identifier filtering (characters at the position of the delete character are deleted in a comparison. This permits certain areas to be deleted).	2	UNSIGNED8	32 ... 127	'x'	-

Parameter length

3 byte

Input data

None

Output data

None

10.11 Device Functions

10.11.1 Module 60 – Device status

Description

The module contains the display of the device status as well as control bits for triggering a reset or putting the device into standby mode.

Parameter

None

Input data

Table 10.38: Input data for module 60

Input data	Description	Addr.	Data type	Value range	Init value	Unit
Device status	This byte represents the device status	0	UNSIGNED8	0: Device is ready 1: Initialization 10: Standby 11: Service 12: Diagnosis 13: Parameter enabled 0x80: Error 0x81: Warning	0	-

Input data length

1 byte

Output data

Table 10.39: Input data for module 60

Output data	Description	Addr.	Data type	Value range	Init value	Unit
System reset	The control bit triggers a system reset ^{a)} if the level changes from 0 to 1	0.6	Bit	0: Run 0 -> 1: Reset	0	-
Standby	Activates the standby function	0.7	Bit	0: Standby off 1: Standby on	0	-

a) Analogous to command H, activation of this bit triggers a restart of all electronics, incl. a restart of the PROFIBUS stack.

NOTICE
Analogous to command H, activation of the system reset bit triggers a restart of all electronics, incl. a restart of the PROFINET-IO stack. I.e. the device restarts.

Output data length

1 byte



When resetting the data the input data of this module is not deleted (see chapter 10.7.1 "Module 10 – Activations").

10.11.2 Module 61 – Laser control

Description

This module defines the switch-on and switch-off position of the laser.

Parameter

Table 10.40: Parameters for module 61

Parameter	Description	Addr.	Data type	Value range	Default	Unit
Laser start position	This parameter defines the switch-on position of the laser in 1/10° increments within the visible range of the laser. The center of the reading field corresponds to the 0° position.	0 ... 1	UNSIGNED16	-450 ... +450	-450	1/10°
Laser stop position	This parameter defines the switch-off position of the laser in 1/10° increments within the visible range of the laser.	2 ... 3	UNSIGNED16	-450 ... +450	+450	1/10°

Parameter length

4 byte

Input data

None

Output data

None

10.11.3 Module 62 – Display

Description

Set in this module are general parameters and parameters related to operation and the display.

Parameter

Table 10.41: Parameters for module 62

Parameter	Description	Addr.	Data type	Value range	Default	Unit
Language selection	Language selection for the display. A language which was selected via the display is overwritten by this parameter.	0.0 ... 0.2	Bit	1: English 2: German 3: Italian 4: French 5: Spanish	0	-
Display illumination	Off after 10 min., or permanently on.	0.3	Bit	0: Off after 10 min. 1: Permanently on	0	-
Display contrast	Contrast setting of the display. The contrast changes under extreme ambient temperature and can be adjusted with this parameter.	0.4 ... 0.5	Bit	0: Light 1: Medium 2: Strong	1	-
Password protection	Password protection on/off	0.7	Bit	0: OFF 1: ON	0	-
Password	Password specification. Password is only active if password protection is on.	1 ... 2	UNSIGNED16	0000 ... 9999	0000	-

Parameter length

3 byte

Input data

None

Output data

None



This module overwrites the local display settings. Following activation of this module, the language selection, the setting for password protection and the specified password set in this module take effect.

10.11.4 Module 63 – Alignment

Description

The module defines input and output data for the alignment mode of the device. The alignment mode is used for easy alignment of the device with the bar code. Using the transmitted decoding quality as a percentage, the optimum alignment can be easily selected. This module should not be used in connection with module 81 (AutoReflAct) as this may cause malfunctions.

Parameter

None

Input data

Table 10.42: Input data for module 63

Input data	Description	Addr.	Data type	Value range	Init value	Unit
Decoding quality	Transmits the current decoding quality of the bar code located in the scanning beam	0	Byte	0 ... 100	0	Percentage

Input data length

1 byte

Output data

Table 10.43: Output data for module 63

Output data	Description	Addr.	Data type	Value range	Init value	Unit
Alignment mode	Signal activates and deactivates the alignment mode for optimum alignment of the device with the bar code	0.0	Bit	0 -> 1: On 1 -> 0: Off	0	-

Output data length

1 byte

10.11.5 Module 64 – Oscillating mirror

Description

Module for supporting the oscillating mirror.

Parameter

Table 10.44: Parameters for module 64

Parameter	Description	Addr.	Data type	Value range	Default	Unit
Oscillation mode	This parameter defines the mode in which the oscillating mirror operates.	0	UNSIGNED8	0: Single oscillation 1: Double oscillation 2: Continuous oscillation 3: Continuous oscillation, oscillating mirror moves to the start position at the end of the reading gate.	2	-
Start position	Start position (opening angle) relative to the zero position of the swivel range.	1 ... 2	SIGNED16	-200 ... +200	200	1/10°
Stop position	Stop position (opening angle) relative to the zero position of the swivel range.	3 ... 4	SIGNED16	-200 ... +200	-200	1/10°
Oscillation frequency	Common value for forward and backward motion	5	UNSIGNED8	15 ... 116	48	°/s

Parameter length

6 byte

Input data

None

Output data

None

10.11.6 Module 65 – Deflection mirror

Description

Module for supporting the deflection mirror.

Parameter

Table 10.45: Parameters for module 65

Parameter	Description	Addr.	Data type	Value range	Default	Unit
Deflection angle	Lateral beam exit in degrees relative to the zero position	0 ... 1	SIGNED16	-100 ... +100	0	1/10°

Parameter length

2 bytes

Input data

None

Output data

None

10.12 Switching inputs/ outputs SWIO 1 ... 4

These modules define the mode of operation of the 4 digital switching inputs and outputs (I/Os). They are separated into individual modules for configuring the individual I/Os and a shared module for signaling the status and controlling all I/Os.

10.12.1 Parameters for operating as an output

Start-up delay

With this setting, the output pulse can be delayed by the specified time (in ms).

Switch-on time

Defines the switch-on time period for the switching input. Any activated switch-off function then no longer has any function.

A value of 0 causes the output to be set statically; this means that the selected input function(s) activate the output, and the selected switch-off function(s) deactivate it again.

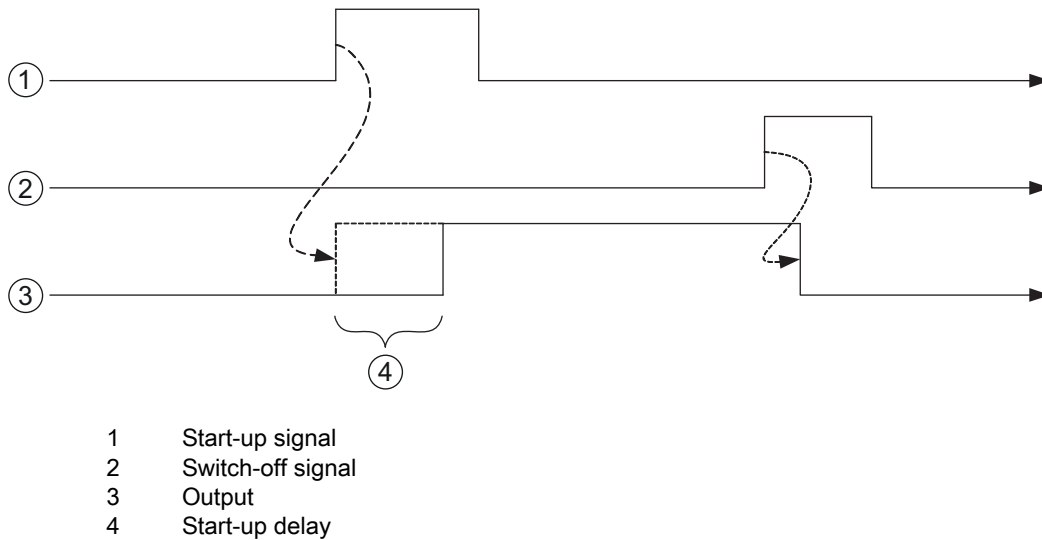


Figure 10.2: Example 1: Start-up delay > 0 and switch-on time = 0

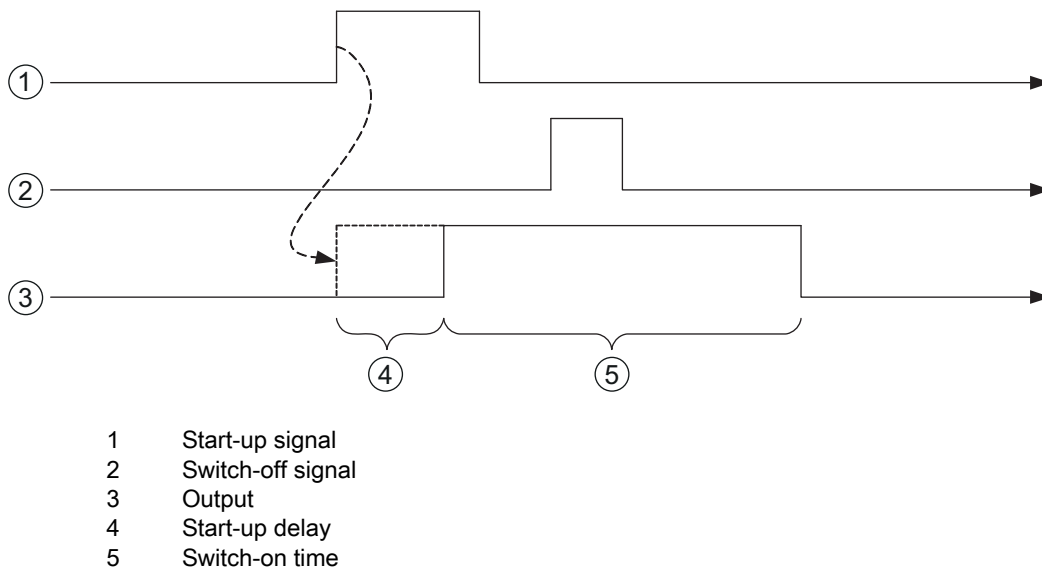
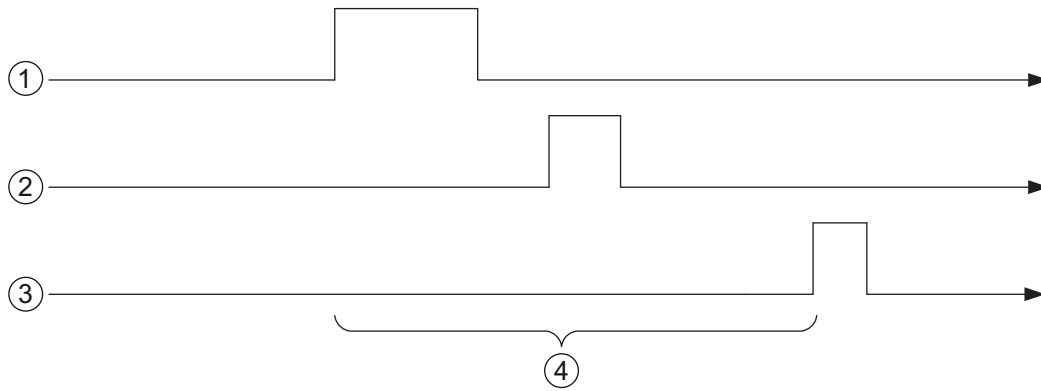


Figure 10.3: Example 2: Start-up delay > 0 and switch-on time > 0

In example 2, the activation duration of the output is only dependent on the selected switch-on time; the switch-off signal has no effect.



- 1 Start-up signal
- 2 Switch-off signal
- 3 Output
- 4 Start-up delay

Figure 10.4: Example 3: Start-up delay >0 Switch-off signal prior to lapsing of the start-up delay

If the output is again deactivated via the switch-off signal before the start-up delay lapses, only a brief pulse appears at the output following the start-up delay.

Comparison functionality

If, for example, the switching output is to be activated after four invalid read results, the comparative value is set to 4 and the switch-on function is configured to “invalid read result”.

The comparison mode parameter can be used to define whether the switching output is activated only once in the case that the event counter and comparative value fulfill the “parity” condition, or if it is activated multiple times, on each successive event after the “parity” condition is met.

The event counter can always be reset with the I/O data in the I/O status and control module; furthermore, the reset mode parameter enables automatic resetting upon reaching the comparative value. Automatic resetting upon reaching the comparative value always results in the switching output being switched once independent of the comparison mode parameter.

The standard switch-off function at reading gate start is rather unsuited for this module since it causes the event counter to be reset on each reading gate start. Suitable as switch-off function for this example is the valid read result function; otherwise, all switch-off functions are deactivated.

10.12.2 Parameters for operating as an input

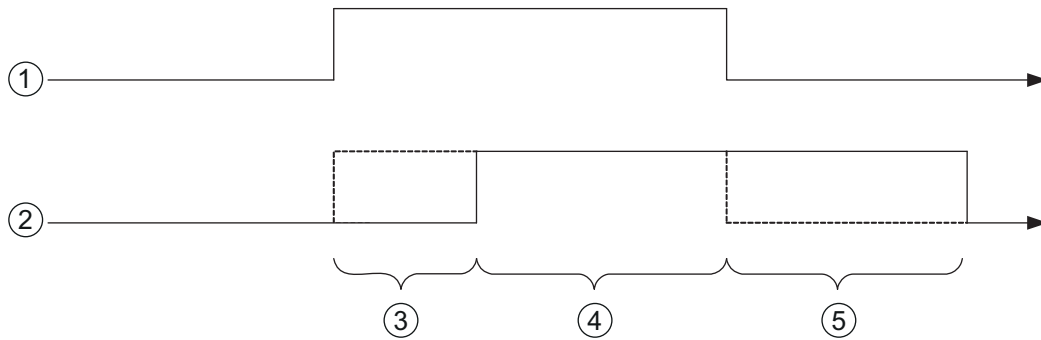
Debounce time

Parameter for setting the software debounce time for the switching input. The definition of a debounce time extends the signal transition time accordingly.

If the value of this parameter = 0, no debouncing takes place; otherwise, the configured value represents the duration in milliseconds for which the input signal must be present and stable.

Start-up delay td_on

If the value of this parameter = 0, no start-up delay occurs for the activation of the input function; otherwise, the configured value represents the time in milliseconds by which the input signal is delayed.

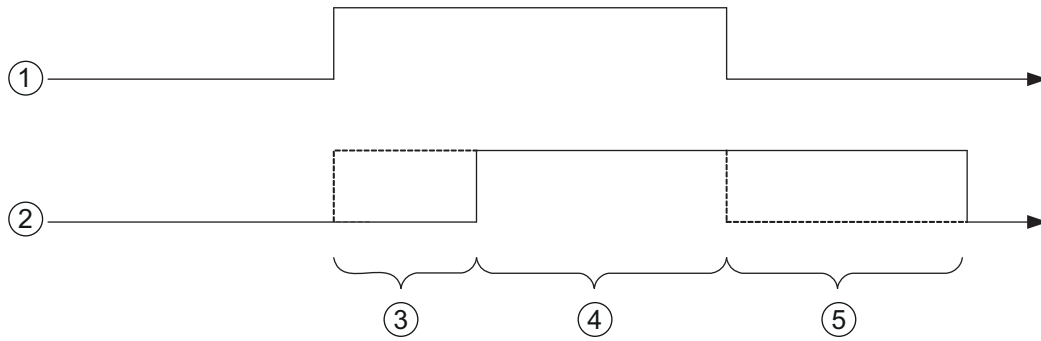


- 1 Start-up signal
- 2 Switch-off signal
- 3 Start-up delay td_{on}
- 4 Switch-on time ton
- 5 Switch-off delay td_{off}

Figure 10.5: Start-up delay in input mode

Switch-on time ton

This parameter specifies the min. activation duration for the selected input function in ms. The actual activation duration is calculated from the switch-on time as well as the switch-off delay.

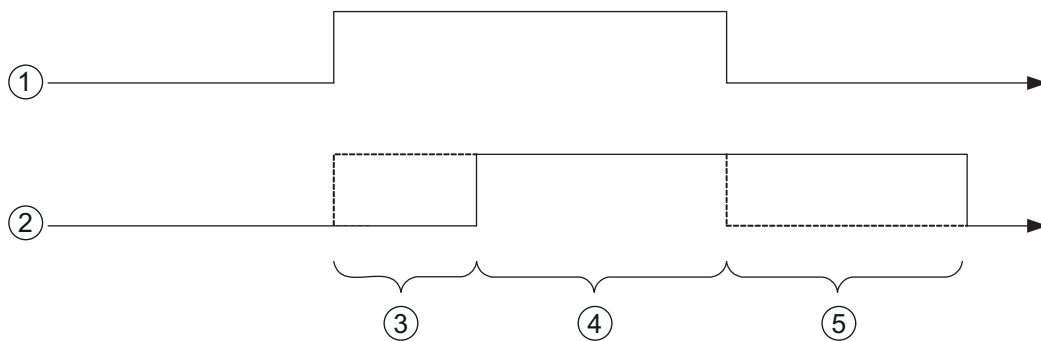


- 1 Start-up signal
- 2 Switch-off signal
- 3 Start-up delay td_{on}
- 4 Switch-on time ton
- 5 Switch-off delay td_{off}

Figure 10.6: Switch-on time in input mode

Switch-off delay td_{off}

This parameter specifies the duration of the switch-off delay in ms.



- 1 Start-up signal
- 2 Switch-off signal
- 3 Start-up delay td_{on}
- 4 Switch-on time ton
- 5 Switch-off delay td_{off}

Figure 10.7: Switch-off delay in input mode

10.12.3 Switch-on and switch-off functions for operation as an output

The following options are available for switch-on and switch-off functions in the “output” operating mode:

Table 10.46: Switch-on/switch-off functions

Name	Value	Comments
No function	0	No functionality
Reading gate start	1	
Reading gate end	2	
Positive reference code comparison 1	3	
Negative reference code comparison 1	4	
Valid read result	5	
Invalid read result	6	
Device ready	7	The device is in a ready state.
Device not ready	8	The device is not yet ready (motor and laser are being activated).
Data transmission active	9	
Data transmission not active	10	
AutoControl good quality	13	
AutoControl bad quality	14	
Reflector detected	15	
Reflector not detected	16	
External event, pos. edge	17	In the PROFIBUS case, the external event is generated with the aid of module 74 – “I/O status and control”, see chapter 10.12.9 “Module 74 – SWIO status and control”
External event, neg. edge	18	See above
Device active	19	Decoding is currently being performed.
Device in standby mode	20	Motor and laser inactive.
No device error	21	No error was detected
Device error	22	Device is in an error state.
Positive reference code comparison 2	23	
Negative reference code comparison 2	24	

10.12.4 Input functions for operation as an input

Table 10.47: Input functions

Name	Value	Comments
No function	0	No functionality
Activation of the reading gate	1	
Reading gate deactivation only	2	
Reading gate activation only	3	
Reference bar code teach-in	4	
Start/stop autoconfiguration mode	5	

10.12.5 Module 70 – Switching input/output SWIO1

Parameter

Table 10.48: Parameters for module 70 – Input/Output 1

Parameter	Description	Addr.	Data type	Value range	Default	Unit
Function	This parameter defines whether I/O 1 functions as an input or as an output.	0.0	Bit	0: Input 1: Output	0	-
Mode of operation for configuration as an output						
DC bias level	The parameter defines the DC bias level of the switching output and, thus, simultaneously whether the output is low-active (0) or high-active (1).	0.1	Bit	0: LOW (0V) 1: HIGH (+Ub)	0	-
Reserved	Free	0.2 ... 0.7				
Start-up delay	With this parameter, the output pulse may be delayed by a set time period.	1	UNSIGNED16	0 ... 65535	0	ms
Switch-on time	The parameter defines the switch-on time period for the switching output. If the value is 0, the signal is static.	3	UNSIGNED16	0 ... 1300	400	ms
Switch-on function 1	This parameter specifies an event which can set the switching output.	5	UNSIGNED8	see table 10.46	0	-
Switch-on function 2	This parameter specifies an event which can set the switching output. Switch-on function 1 and switch-on function 2 are OR linked.	6	UNSIGNED8	see table 10.46	0	-
Switch-off function 1	This parameter specifies an event which can reset the switching output.	7	UNSIGNED8	see table 10.46	0	-
Switch-off function 2	This parameter specifies an event which can reset the switching output. Switch-off function 1 and switch-off function 2 are OR linked.	8	UNSIGNED8	see table 10.46	0	-
Comparative value (Event Counter)	If the number of activation events of the selected switch-on function reaches this comparative value, the switching output is activated. A deactivation event of the selected switch-off function resets the counter.	9	UNSIGNED16	0..65535	0	-
Compare mode (Event Counter)	Specifies whether the switching output switches only on parity (once) or also in the event of greater or equal to (multiple times) after the comparative value is reached.	11	UNSIGNED8	0: SWOUT switches once 1: SWOUT switches several times	0	-
Reset mode (Event Counter)	Specifies whether the counter (Event Counter) is reset only by the reset bit and the selected switch-off function, or if the counter should be automatically reset after the comparative value is reached.	12	UNSIGNED8	0: Reset bit and switch-off funct. 1: Comparative value reached	0	
Mode of operation for configuration as an input						
Inversion	The parameter defines the logic of the incident signal. In case of an inversion, an external HIGH level is interpreted internally as a LOW level.	13.1	Bit	0: Normal 1: Inverted	0	-
Reserved	Free	13.2 ... 13.7				
Debounce time	The parameter defines a debounce time which is implemented in software.	14	UNSIGNED16	0 ... 1000	5	ms
Start-up delay	The parameter influences the timing during switch-on.	16	UNSIGNED16	0 ... 65535	0	ms

Parameter	Description	Addr.	Data type	Value range	Default	Unit
Minimum switch-on time	The parameter defines a minimum time period before the signal is reset.	18	UNSIGNED16	0 ... 65535	0	ms
Delay off time	The parameter defines a time delay for the signal during switch-off.	20	UNSIGNED16	0 ... 65535	0	ms
Input function	The parameter specifies the function which is to be activated or deactivated by a change of state in the signal.	22	UNSIGNED8	see table 10.47	1	-

Parameter length

23 byte

Input data

None

Output data

None

Comment

The DC bias level also defines whether the output is low-active (0) or high-active (1).

Switching on an I/O configured as an output means switching to the active state; switching off, on the other hand, results in switching to the inactive or idle state.

10.12.6 Module 71 – Switching input/output SWIO2

Parameter

Table 10.49: Parameters for module 71 – Input/Output 2

Parameter	Description	Addr.	Data type	Value range	Default	Unit
Function	This parameter defines whether I/O 2 functions as an input or as an output.	0.0	Bit	0: Input 1: Output	1	-
Mode of operation for configuration as an output						
DC bias level	The parameter defines the DC bias level of the switching output and, thus, simultaneously whether the output is low-active (0) or high-active (1).	0.1	Bit	0: LOW (0V) 1: HIGH (+Ub)	0	-
Reserved	Free	0.2 ... 0.7				
Start-up delay	With this parameter, the output pulse may be delayed by a set time period.	1	UNSIGNED16	0 ... 65535	0	ms
Switch-on time	The parameter defines the switch-on time period for the switching output. If the value is 0, the signal is static.	3	UNSIGNED16	0 ... 1300	400	ms
Switch-on function 1	This parameter specifies an event which can set the switching output.	5	UNSIGNED8	see table 10.46	5	-
Switch-on function 2	This parameter specifies an event which can set the switching output. Switch-on function 1 and switch-on function 2 are OR linked.	6	UNSIGNED8	see table 10.46	0	-
Switch-off function 1	This parameter specifies an event which can reset the switching output.	7	UNSIGNED8	see table 10.46	1	-
Switch-off function 2	This parameter specifies an event which can reset the switching output. Switch-off function 1 and switch-off function 2 are OR linked.	8	UNSIGNED8	see table 10.46	0	-
Comparative value (Event Counter)	If the number of activation events of the selected switch-on function reaches this comparative value, the switching output is activated. A deactivation event of the selected switch-off function resets the counter.	9	UNSIGNED16	0..65535	0	-

Parameter	Description	Addr.	Data type	Value range	Default	Unit
Compare mode (Event Counter)	Specifies whether the switching output switches only on parity (once) or also in the event of greater or equal to (multiple times) after the comparative value is reached.	11	UNSIGNED8	0: SWOUT switches once 1: SWOUT switches several times	0	-
Reset mode (Event Counter)	Specifies whether the counter (Event Counter) is reset only by the reset bit and the selected switch-off function, or if the counter should be automatically reset after the comparative value is reached.	12	UNSIGNED8	0: Reset bit and switch-off funct. 1: Comparative value reached	0	-
Mode of operation for configuration as an input						
Inversion	The parameter defines the logic of the incident signal. In case of an inversion, an external HIGH level is interpreted internally as a LOW level.	13.1	Bit	0: Normal 1: Inverted	0	-
Reserved	Free	13.2 ... 13.7				
Debounce time	The parameter defines a debounce time which is implemented in software.	14	UNSIGNED16	0 ... 1000	5	ms
Start-up delay	The parameter influences the timing during switch-on.	16	UNSIGNED16	0 ... 65535	0	ms
Minimum switch-on time	The parameter defines a minimum time period before the signal is reset.	18	UNSIGNED16	0 ... 65535	0	ms
Delay off time	The parameter defines a time delay for the signal during switch-off.	20	UNSIGNED16	0 ... 65535	0	ms
Input function	The parameter specifies the function which is to be activated or deactivated by a change of state in the signal.	22	UNSIGNED8	see table 10.47	0	-

Parameter length

23 byte

Input data

None

Output data

None

Comment

The DC bias level also defines whether the output is low-active (0) or high-active (1).

Switching on an I/O configured as an output means switching to the active state; switching off, on the other hand, results in switching to the inactive or idle state.

10.12.7 Module 72 – Switching input/output SWIO3

Parameter

Table 10.50: Parameters for module 72 – Input/Output 3

Parameter	Description	Addr.	Data type	Value range	Default	Unit
Function	This parameter defines whether I/O 3 functions as an input or as an output.	0.0	Bit	0: Input 1: Output	0	-
Mode of operation for configuration as an output						
DC bias level	The parameter defines the DC bias level of the switching output and, thus, simultaneously whether the output is low-active (0) or high-active (1).	0.1	Bit	0: LOW (0V) 1: HIGH (+Ub)	0	-
Reserved	Free	0.2 ... 0.7				
Start-up delay	With this parameter, the output pulse may be delayed by a set time period.	1	UNSIGNED16	0 ... 65535	0	ms

Parameter	Description	Addr.	Data type	Value range	Default	Unit
Switch-on time	The parameter defines the switch-on time period for the switching output. If the value is 0, the signal is static.	3	UNSIGNED16	0 ... 1300	400	ms
Switch-on function 1	This parameter specifies an event which can set the switching output.	5	UNSIGNED8	see table 10.46	0	-
Switch-on function 2	This parameter specifies an event which can set the switching output. Switch-on function 1 and switch-on function 2 are OR linked.	6	UNSIGNED8	see table 10.46	0	-
Switch-off function 1	This parameter specifies an event which can reset the switching output.	7	UNSIGNED8	see table 10.46	0	-
Switch-off function 2	This parameter specifies an event which can reset the switching output. Switch-off function 1 and switch-off function 2 are OR linked.	8	UNSIGNED8	see table 10.46	0	-
Comparative value (Event Counter)	If the number of activation events of the selected switch-on function reaches this comparative value, the switching output is activated. A deactivation event of the selected switch-off function resets the counter.	9	UNSIGNED16	0..65535	0	-
Compare mode (Event Counter)	Specifies whether the switching output switches only on parity (once) or also in the event of greater or equal to (multiple times) after the comparative value is reached.	11	UNSIGNED8	0: SWOUT switches once 1: SWOUT switches several times	0	-
Reset mode (Event Counter)	Specifies whether the counter (Event Counter) is reset only by the reset bit and the selected switch-off function, or if the counter should be automatically reset after the comparative value is reached.	12	UNSIGNED8	0: Reset bit and switch-off funct. 1: Comparative value reached	0	-
Mode of operation for configuration as an input						
Inversion	The parameter defines the logic of the incident signal. In case of an inversion, an external HIGH level is interpreted internally as a LOW level.	13.1	Bit	0: Normal 1: Inverted	0	-
Reserved	Free	13.2 ... 13.7				
Debounce time	The parameter defines a debounce time which is implemented in software.	14	UNSIGNED16	0 ... 1000	5	ms
Start-up delay	The parameter influences the timing during switch-on.	16	UNSIGNED16	0 ... 65535	0	ms
Minimum switch-on time	The parameter defines a minimum time period before the signal is reset.	18	UNSIGNED16	0 ... 65535	0	ms
Delay off time	The parameter defines a time delay for the signal during switch-off.	20	UNSIGNED16	0 ... 65535	0	ms
Input function	The parameter specifies the function which is to be activated or deactivated by a change of state in the signal.	22	UNSIGNED8	see table 10.47	2	-

Parameter length

23 byte

Input data

None

Output data

None

Comment

The DC bias level also defines whether the output is low-active (0) or high-active (1).

Switching on an I/O configured as an output means switching to the active state; switching off, on the other hand, results in switching to the inactive or idle state.

10.12.8 Module 73 – Switching input/output SWIO4

Parameter

Table 10.51: Parameters for module 73 – Input/Output 4

Parameter	Description	Addr.	Data type	Value range	Default	Unit
Function	This parameter defines whether I/O 4 functions as an input or as an output.	0.0	Bit	0: Input 1: Output	1	-
Mode of operation for configuration as an output						
DC bias level	The parameter defines the DC bias level of the switching output and, thus, simultaneously whether the output is low-active (0) or high-active (1).	0.1	Bit	0: LOW (0V) 1: HIGH (+Ub)	0	-
Reserved	Free	0.2 ... 0.7				
Start-up delay	With this parameter, the output pulse may be delayed by a set time period.	1	UNSIGNED16	0 ... 65535	0	ms
Switch-on time	The parameter defines the switch-on time period for the switching output. If the value is 0, the signal is static.	3	UNSIGNED16	0 ... 1300	400	ms
Switch-on function 1	This parameter specifies an event which can set the switching output.	5	UNSIGNED8	see chapter 10.12.3	6	-
Switch-on function 2	This parameter specifies an event which can set the switching output. Switch-on function 1 and switch-on function 2 are OR linked.	6	UNSIGNED8	see chapter 10.12.3	0	-
Switch-off function 1	This parameter specifies an event which can reset the switching output.	7	UNSIGNED8	see chapter 10.12.3	1	-
Switch-off function 2	This parameter specifies an event which can reset the switching output. Switch-off function 1 and switch-off function 2 are OR linked.	8	UNSIGNED8	see chapter 10.12.3	0	-
Comparative value (Event Counter)	If the number of activation events of the selected switch-on function reaches this comparative value, the switching output is activated. A deactivation event of the selected switch-off function resets the counter.	9	UNSIGNED16	0..65535	0	-
Compare mode (Event Counter)	Specifies whether the switching output switches only on parity (once) or also in the event of greater or equal to (multiple times) after the comparative value is reached.	11	UNSIGNED8	0: SWOUT switches once 1: SWOUT switches several times	0	-
Reset mode (Event Counter)	Specifies whether the counter (Event Counter) is reset only by the reset bit and the selected switch-off function, or if the counter should be automatically reset after the comparative value is reached.	12	UNSIGNED8	0: Reset bit and switch-off funct. 1: Comparative value reached	0	-
Mode of operation for configuration as an input						
Inversion	The parameter defines the logic of the incident signal. In case of an inversion, an external HIGH level is interpreted internally as a LOW level.	13.1	Bit	0: Normal 1: Inverted	0	-
Reserved	Free	13.2 ... 13.7				
Debounce time	The parameter defines a debounce time which is implemented in software.	14	UNSIGNED16	0 ... 1000	5	ms
Start-up delay	The parameter influences the timing during switch-on.	16	UNSIGNED16	0 ... 65535	0	ms

Parameter	Description	Addr.	Data type	Value range	Default	Unit
Minimum switch-on time	The parameter defines a minimum time period before the signal is reset.	18	UNSIGNED16	0 ... 65535	0	ms
Delay off time	The parameter defines a time delay for the signal during switch-off.	20	UNSIGNED16	0 ... 65535	0	ms
Input function	The parameter specifies the function which is to be activated or deactivated by a change of state in the signal.	22	UNSIGNED8	see chapter 10.12.4	0	-

Parameter length

23 byte

Input data

None

Output data

None

Comment

The DC bias level also defines whether the output is low-active (0) or high-active (1).

Switching on an I/O configured as an output means switching to the active state; switching off, on the other hand, results in switching to the inactive or idle state.

10.12.9 Module 74 – SWIO status and control

Description

Module for handling switching input and switching output signals.

Parameter

None

Input data

Table 10.52: Input data for module 74 Input/output status and control

Parameter	Description	Addr.	Data type	Value range	Init value	Unit
State 1	Signal state of switching input or output 1	0.0	Bit	0.1	0	-
State 2	Signal state of switching input or output 2	0.1	Bit	0.1	0	-
State 3	Signal state of switching input or output 3	0.2	Bit	0.1	0	-
State 4	Signal state of switching input or output 4	0.3	Bit	0.1	0	-
Comparison state switching output 1 (Event Counter)	Indicates whether the event counter has exceeded the set comparative value. The bit is reset to the init. value by resetting the event counter.	1.0	Bit	0: Not exceeded 1: Exceeded	0	-
Switching output 1 Comparison state toggle bit (Event Counter)	If "SWOUT switches several times" was configured as comparison mode, this bit is toggled each time the event counter is exceeded. The bit is reset to the init. value by resetting the event counter.	1.1	Bit	0 -> 1: Event counter exceeded 1 -> 0: Event counter exceeded again	0	-
Comparison state switching output 2 (Event Counter)	Indicates whether the event counter has exceeded the set comparative value. The bit is reset to the init. value by resetting the event counter.	1.2	Bit	0: Not exceeded 1: Exceeded	0	-
Switching output 2 Comparison state toggle bit (Event Counter)	If "SWOUT switches several times" was configured as comparison mode, this bit is toggled each time the event counter is exceeded. The bit is reset to the init. value by resetting the event counter.	1.3	Bit	0 -> 1: Event counter exceeded 1 -> 0: Event counter exceeded again	0	-
Comparison state switching output 3 (Event Counter)	Indicates whether the event counter has exceeded the set comparative value. The bit is reset to the init. value by resetting the event counter.	1.4	Bit	0: Not exceeded 1: Exceeded	0	-

Parameter	Description	Addr.	Data type	Value range	Init value	Unit
Switching output 3 Comparison state toggle bit (Event Counter)	If "SWOUT switches several times" was configured as comparison mode, this bit is toggled each time the event counter is exceeded. The bit is reset to the init. value by resetting the event counter.	1.5	Bit	0 -> 1: Event counter exceeded 1 -> 0: Event counter exceeded again	0	-
Comparison state switching output 4 (Event Counter)	Indicates whether the event counter has exceeded the set comparative value. The bit is reset to the init. value by resetting the event counter.	1.6	Bit	0: Not exceeded 1: Exceeded	0	-
Switching output 4 Comparison state toggle bit (Event Counter)	If "SWOUT switches several times" was configured as comparison mode, this bit is toggled each time the event counter is exceeded. The bit is reset to the init. value by resetting the event counter.	1.7	Bit	0 -> 1: Event counter exceeded 1 -> 0: Event counter exceeded again	0	-

Input data length:

2 bytes

Output data

Table 10.53: Output data for module 74 Input/output status and control

Output data	Description	Addr.	Data type	Value range	Init value	Unit
Switching output 1	Sets the state of switching output 1	0.0	Bit	0: Switching output 0 1: Switching output 1	0	-
Switching output 2	Sets the state of switching output 2	0.1	Bit	0: Switching output 0 1: Switching output 1	0	-
Switching output 3	Sets the state of switching output 3	0.2	Bit	0: Switching output 0 1: Switching output 1	0	-
Switching output 4	Sets the state of switching output 4	0.3	Bit	0: Switching output 0 1: Switching output 1	0	-
Reset Event Counter Switching output 1	Sets the event counter of the activation function [AF] for switching output 1 back to zero.	0.4	Bit	0 -> 1: Perform reset 1 -> 0: No function	0	-
Reset Event Counter Switching output 2	Sets the event counter of the activation function [AF] for switching output 2 back to zero.	0.5	Bit	0 -> 1: Perform reset 1 -> 0: No function	0	-
Reset Event Counter Switching output 3	Sets the event counter of the activation function [AF] for switching output 3 back to zero.	0.6	Bit	0 -> 1: Perform reset 1 -> 0: No function	0	-
Reset Event Counter Switching output 4	Sets the event counter of the activation function [AF] for switching output 4 back to zero.	0.7	Bit	0 -> 1: Perform reset 1 -> 0: No function	0	-
	Reserved	1	Byte			

Output data length:

2 bytes

10.13 Data output

10.13.1 Module 80 – Sorting

Description

Module to support the sorting of the output data.

Parameter

Table 10.54: Parameters for module 80

Parameter	Description	Addr.	Data type	Value range	Default	Unit
Sort criterion 1	Specifies the criterion according to which sorting takes place.	0.0 ... 0.6	BitArea	0: No sorting 1: Sorting according to scan number 2: Sorting according to position in the scanning beam 3: Sorting according to the oscillating mirror position 4: Sorting according to the decoding quality 5: Sorting according to the bar code length 6: Sorting according to the code type number 7: Sorting according to the decoding direction 8: Sorting according to the bar code content 9: Sorting according to time 10: Sorting according to scanning duration 11: Sorting according to the code list (in which the enabled bar codes are listed) 12: Sorting according to the identifier list	0	-
Sort direction 1	Specifies the sorting direction.	0.7	Bit	0: In ascending order 1: In descending order	0	-
Sort criterion 2	Specifies the criterion according to which sorting takes place.	1.0 ... 1.6	BitArea	See sorting criterion 1	0	-
Sort direction 2	Specifies the sorting direction.	1.7	Bit	See sorting direction 1	0	-
Sort criterion 3	Specifies the criterion according to which sorting takes place.	2.0 ... 2.6	BitArea	See sorting criterion 1	0	-
Sort direction 3	Specifies the sorting direction.	2.7	Bit	See sorting direction 1	0	-

Parameter length

3 byte

Input data

None

Output data

None

10.14 Reference code comparison

The following modules can be used to support reference code comparison.

The reference code function compares the currently decoded read results with one or more stored comparison patterns. The function is split into two comparison units which can be configured independently of each other.

10.14.1 Module 81 – Reference code comparator 1

Description

The module defines the mode of operation of reference code comparator 1.

Parameter

Table 10.55: Parameters for module 81 – Reference code comparison

Parameter	Description	Adr.	Data type	Value range	Default	Unit
Output function after reference bar code comparison	This parameter specifies the associated output linkage after a reference bar code comparison.	0	UNSIGNED8	0: No function 1: Comparison function 1 2: Comparison function 2 3: Comparison function 1 AND 2 4: Comparison function 1 OR 2	1	-
Linking logic for reference code output signal	This parameter specifies the linking logic for the reference code output signal.	1	UNSIGNED8	0: Length and type and ASCII 1: Length and (type or ASCII) 2: (Length or type) and ASCII 3: Length or type or ASCII	0	-
Output for reference code comparison	This parameter specifies whether a bar code length comparison should be carried out.	2	UNSIGNED8	0: Length ignored 1: Comparison o.k. if length not identical 2: Comparison o.k. if length identical.	2	-
Bar code type comparison	This parameter specifies whether a bar code type comparison should be carried out.	3	UNSIGNED8	0: Type ignored 1: Comparison o.k. if types not identical 2: Comparison o.k. if types identical.	2	-
Reference code ASCII comparison	This parameter specifies how the ASCII comparison should be carried out.	4	UNSIGNED8	0: No comparison 1: Bar code not identical to RC 2: Bar code identical to RC 3: Bar code greater than RC 4: Bar code greater than or equal to RC 5: Bar code less than RC 6: Bar code less than or equal to RC 7: RC1 less than or equal to bar code less than or equal to RC2 8: Bar code less than RC1 or bar code greater than RC2	2	-
Reference code comparison mode	This parameter determines how and which reference bar codes (RC) are to be used for the bar code comparison.	5	UNSIGNED8	0: Only the first RC is used for the comparison. 1: Only the second RC is used for the comparison. 2: RC 1 and 2 are used for the comparison. Both conditions for RC 1 and 2 must be satisfied for a positive comparison. 3: RC 1 and 2 are used for the comparison. One of the two conditions for reference bar codes 1 and 2 must be satisfied.	0	-
Bar code comparison mode	This parameter specifies which decoded bar codes are to be used for the reference bar code comparison.	6	UNSIGNED8	0: Only the first bar code is used for the comparison. 1: Only the second bar code is used for the comparison. 2: All bar codes are used for the comparison. All comparisons must be successful. 3: All bar codes are used for the comparison. One comparison must be successful.	3	-
Reference code completeness comparison	If this parameter is set, the basic condition for a positive reference code comparison is that all mandatory bar codes that are to be read within a reading gate were actually read. If this condition is not satisfied, no positive reference code comparison is achieved.	7.0	Bit	0: Completeness comparison switched off. 1: Completeness comparison switched on.	0	-

Parameter length

8 byte

Input data

None

Output data

None

10.14.2 Module 82 – Reference code comparator 2

Description

The module defines the mode of operation of reference code comparator 2.

Parameter

Table 10.56: Parameters for module 82 – Reference code comparison

Parameter	Description	Addr.	Data type	Value range	Default	Unit
Output function after reference bar code comparison	This parameter specifies the associated output linkage after a reference bar code comparison.	0	UNSIGNED8	0: No function 1: Comparison function 1 2: Comparison function 2 3: Comparison function 1 AND 2 4: Comparison function 1 OR 2	1	-
Linking logic for reference code output signal	This parameter specifies the linking logic for the reference code output signal.	1	UNSIGNED8	0: Length and type and ASCII 1: Length and (type or ASCII) 2: (Length or type) and ASCII 3: Length or type or ASCII	0	-
Output for reference code comparison	This parameter specifies whether a bar code length comparison should be carried out.	2	UNSIGNED8	0: Length ignored 1: Comparison o.k. if length not identical 2: Comparison o.k. if length identical.	2	-
Bar code type comparison	This parameter specifies whether a bar code type comparison should be carried out.	3	UNSIGNED8	0: Type ignored 1: Comparison o.k. if types not identical 2: Comparison o.k. if types identical.	2	-
Reference code ASCII comparison	This parameter specifies how the ASCII comparison should be carried out.	4	UNSIGNED8	0: No comparison 1: Bar code not identical to RC 2: Bar code identical to RC 3: Bar code greater than RC 4: Bar code greater than or equal to RC 5: Bar code less than RC 6: Bar code less than or equal to RC 7: RC1 less than or equal to bar code less than or equal to RC2 8: Bar code less than RC1 or bar code greater than RC2	2	-
Reference code comparison mode	This parameter determines how and which reference bar codes (RC) are to be used for the bar code comparison.	5	UNSIGNED8	0: Only the first RC is used for the comparison. 1: Only the second RC is used for the comparison. 2: RC 1 and 2 are used for the comparison. Both conditions for RC 1 and 2 must be satisfied for a positive comparison. 3: RC 1 and 2 are used for the comparison. One of the two conditions for reference bar codes 1 and 2 must be satisfied.	0	-
Bar code comparison mode	This parameter specifies which decoded bar codes are to be used for the reference bar code comparison.	6	UNSIGNED8	0: Only the first bar code is used for the comparison. 1: Only the second bar code is used for the comparison. 2: All bar codes are used for the comparison. All comparisons must be successful. 3: All bar codes are used for the comparison. One comparison must be successful.	3	-
Reference code completeness comparison	If this parameter is set, the basic condition for a positive reference code comparison is that all mandatory bar codes that are to be read within a reading gate were actually read. If this condition is not satisfied, no positive reference code comparison is achieved.	7.0	Bit	0: Completeness comparison switched off. 1: Completeness comparison switched on.	0	-

Parameter length

8 byte

Input data

None

Output data

None

10.14.3 Module 83 – Reference code comparison pattern 1

Description

This module can be used to define the 1st comparison pattern.

Parameter

Table 10.57: Parameters for module 83 – Reference code comparison pattern

Parameter	Description	Addr.	Data type	Value range	Default	Unit
Code type comparison pattern 1	Specifies the type of the reference bar code.	0	UNSIGNED8	0: No code 1: 2/5 Interleaved 2: Code39 3: Code32 6: UPC, UPCE 7: EAN8, EAN13 8: Code128 10: EAN Addendum 11: Codabar 12: Code93 13: RSS-14 14: RSS Limited 15: RSS Expanded	0	-
Comparison pattern 1	Parameter string describing the content of the reference bar code. Note: You can also use the two placeholder characters that are stored in the "Wildcard character" and "Don't care character" parameters. If the string is empty, no comparison takes place. If the most recently stored character is the wildcard character, the comparison is only carried out up to the character before this wildcard character. In this way it is possible to switch off a comparison according to bar code length.	1	STRING 30 characters null terminated	1 ... 30 bytes of ASCII characters	\00	-

Parameter length

31 byte

Input data

None

Output data

None



The defined comparison pattern affects both reference code comparators (module 81 – reference code comparator 1 and module 82 – reference code comparator 2).

10.14.4 Module 84 – Reference code comparison pattern 2

Description

This module can be used to define the 2nd comparison pattern.

Parameter

Table 10.58: Parameters for module 84 – Reference code comparison pattern

Parameter	Description	Addr.	Data type	Value range	Default	Unit
Code type comparison pattern 2	Specifies the type of the reference bar code.	0	UNSIGNED8	0: No code 1: 2/5 Interleaved 2: Code39 3: Code32 6: UPC, UPCE 7: EAN8, EAN13 8: Code128 10: EAN Addendum 11: Codabar 12: Code93 13: RSS-14 14: RSS Limited 15: RSS Expanded	0	-
Comparison pattern 2	Parameter string describing the content of the reference bar code. Note: You can also use the two placeholder characters that are stored in the "Wildcard character" and "Don't care character" parameters. If the string is empty, no comparison takes place. If the most recently stored character is the wildcard character, the comparison is only carried out up to the character before this wildcard character. In this way it is possible to switch off a comparison according to bar code length.	1	STRING 30 characters null terminated	1 ... 30 bytes of ASCII characters	\00	-

Parameter length

31 byte

Input data

None

Output data

None



The defined comparison pattern affects both reference code comparators (module 81 – reference code comparator 1 and module 82 – reference code comparator 2).

10.15 Special Functions

10.15.1 Module 90 – Status and control

This module supplies various device status information to the PROFIBUS master. Various functions of the device can be controlled via the master's output data.

Parameter

None

Input data

Table 10.59: Input data for module 90 – Status and control

Input data	Description	Addr.	Data type	Value range	Init value	Unit
Reserved	Free	0.0	Bit		0	-
AutoRefl state	Signal state of the AutoRefl module	0.1	Bit	0: Reflector is recognized 1: Reflector is hidden	1	-
Auto Control result	Indicates whether the result of the AutoControl function was a good or bad reading.	0.2	Bit	0: Quality good 1: Quality bad	0	-

Input data	Description	Addr.	Data type	Value range	Init value	Unit
Reserved	Free	0.3	Bit		0	-
RefCode comparison state 1	The signal indicates whether the decoded bar code corresponds to the reference code with regard to the comparison criteria as defined in the comparison function 1. If it matches, the value 1 is output.	0.4 ... 0.5	Bit	0: Not equal 1: Equal 2: Unknown	2	-
RefCode comparison state 2	The signal indicates whether the decoded bar code corresponds to the reference code with regard to the comparison criteria as defined in the comparison function 2. If it matches, the value 1 is output.	0.6 ... 0.7	Bit	0: Not equal 1: Equal 2: Unknown	2	-

Input data length:

1 byte

Output data

None

10.15.2 Module 91 – AutoReflAct (automatic reflector activation)

Description

The module defines the mode of operation of the laser scanner for controlling the reading gate.

The AutoReflAct function uses the scanning beam to simulate a photoelectric sensor and thus permits an activation without additional sensory mechanism. This is achieved by directing the scanner with reduced scanning beam towards a reflector mounted behind the conveyor path. As long as the scanner is targeted at the reflector, the reading gate remains closed. If, however, the reflector is blocked by an object such as a container with a bar code label, the scanner activates the read procedure, and the label on the container is read. When the path from the scanner to the reflector has cleared, the read procedure has completed and the scanning beam is reduced and again directed onto the reflector. The reading gate is closed.

Parameter

Table 10.60: Parameters for module 91 – AutoreflAct

Parameter	Description	Addr.	Data type	Value range	Default	Unit
Mode	This parameter activates the function of the laser scanner. If "Autom. reading gate control" is set as the parameter value, the device activates the reading gate automatically if the reflector is obscured.	0	UNSIGNED8	0: Normal - AutoreflAct switched off. 1: Auto - AutoreflAct activated. Autom. reading gate control. 2: Manual - AutoreflAct activated. No reading gate control, signaling only.	0	-
Debouncing	The parameter defines the debounce time in scans for the reflector detection. With a motor speed of 1000, 1 scan corresponds to a debounce time of 1 ms.	1	UNSIGNED8	1 ... 16	5	-

Parameter length

2 bytes

Input data

None

Output data

None

10.15.3 Module 92 – AutoControl

Description

The module defines the mode of operation of the function AutoControl. The function monitors the quality of the decoded bar codes and compares these with a limit value. If the limit is reached, a status is set.

Parameter

Table 10.61: Parameters for module 92 – AutoControl

Parameter	Description	Addr.	Data type	Value range	Default	Unit
AutoControl enable	This parameter can be used to activate or deactivate the AutoControl function.	0	UNSIGNED8	0: deactivated 1: activated	0	-
Limit for reading quality	The parameter defines a threshold for the reading quality.	1	UNSIGNED8	0 ... 100	50	%
Sensitivity	With this parameter the sensitivity towards changes in the reading ability can be specified. The higher the value, the less influence a change of reading ability has.	2	UNSIGNED8	0 ... 255	0	-

Parameter length

3 byte

Input data

Table 10.62: Input data for module 92 – AutoControl

Input data	Description	Addr.	Data type	Value range	Init value	Unit
Scan quality	Represents the current average value of the scan quality (at the time of the last reading gate).	0	UNSIGNED8	0 ... 100	0	-

Input data length

1 byte

Output data

None



By means of the AutoControl function, it is possible to detect bar codes of decreasing quality and thus take appropriate measures before the label is no longer legible. With activated AutoControl function, note that the "Processing end at end of label" parameter in the CRT module should be set to allow for a better assessment of the bar code quality (see chapter 10.6.3 "Module 7 – Code reconstruction technology").

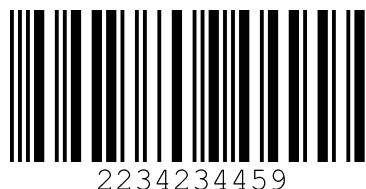
10.16 Example configuration: Indirect activation via the PLC

10.16.1Task

- Reading of a 10-digit code in 2/5 Interleaved format
- Activation of the device via the PLC

Code sample

Code 2/5 Interleaved 10 digits with check digit



10.16.2 Procedure

Hardware, connections

The following connections must have been established:

- Voltage supply (PWR)
- PROFIBUS In
- PROFIBUS termination

Required modules

Include the following modules in your project:

- Module 10 – Activations
- Module 23 – Decoding result 12 bytes

Parameter settings

No parameters need to be set separately. The standard parameter set provides all required functions.

Flow diagrams

Table 10.63: Successful reading

PLC	Photoelectric sensor	BCL	Description	
Time	Photoelectric sensor from 0 -> 1		The photoelectric sensor is interrupted.	
	M 10 bit 0.0 0 -> 1		Activation bit 0.0 is set to 1. This activates the reading gate.	
		M 23 bit 0.1 from 0 -> 1 M 23 bit 0.2 = 0 M 23 byte 1 = data length M 23 byte 2 to 16: result		The bar codes that have been read are processed and transmitted by module 23: Reading concluded bit 0.1 = 1 and bar code not decoded bit 0.2 = 0. The data length is entered in byte 1, in this case 15 decimal. The decoding result is transmitted in the following 15 bytes.
	Internal processing		Internal data processing.	
		M 10 bit 0.0 1 -> 0		Activation bit 0.0 is reset to 0.

Table 10.64: Unsuccessful reading

PLC	Photoelectric sensor	BCL	Description	
Time	Photoelectric sensor from 0 -> 1		The photoelectric sensor is interrupted.	
	M 10 bit 0.0 0 -> 1		Activation bit 0.0 is reset to 1.	
	Photoelectric sensor from 1 -> 0		The reading gate elapses without read result.	
	M 10 bit 0.0 0 -> 1		Activation bit 0.0 is reset to 0.	
		M 23 bit 0.1 from 0 -> 1 M 23 bit 0.2 from 0 -> 1 M 23 byte 1 = data length M 23 byte 2 = result		The module decoding state signals: Reading concluded bit 0.1 = 1 and bar code not decoded bit 0.2 = 1. The data length is entered in byte 1. The result hex 3F (? = no read) is transmitted.
	Internal processing		Internal processing of the data and signaling of the non-reading.	

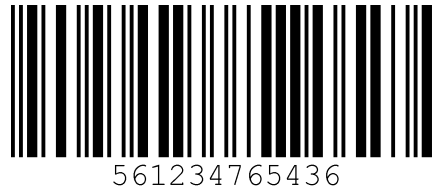
10.17 Sample configuration: Direct activation via the switching input

10.17.1 Task

- Reading of a 12-digit bar code in 2/5 Interleaved format
- Direct activation of the device via a photoelectric sensor

Code sample

Code 2/5 Interleaved 12 digits with check digit



10.17.2 Procedure

Hardware, connections

The following connections must have been established:

- Voltage supply (PWR)
- PROFIBUS In
- PROFIBUS termination
- Photoelectric sensor at SWIO1

Required modules

Include the following modules in your project:

- Module 23 – Decoding result 12 bytes

Parameter settings of the “common parameters”

Table 10.65: Device parameters for example configuration 2

Byte	Description	Init value	Change value to:
1	Code type 1	0	01: 2/5 Interleaved
4	Digits 3	0	12

Flow diagrams

Table 10.66: Successful reading

PLC	Photoelectric sensor	BCL	Description
Time Internal processing	Photoelectric sensor from 0 -> 1		The photoelectric sensor is interrupted. The signal of the switching output of the photoelectric sensor is present at the switching input of the device and activates the scanner.
	M 23 bit 0.1 from 0 -> 1 M 23 bit 0.2 = 0 M 23 byte 1 = data length M 23 byte 2 to 13 = result		The bar codes that have been read are processed and transmitted by module 23: Reading concluded bit 0.1 = 1 and bar code not decoded bit 0.2 = 0. The data length is entered in byte 1, in this case 12 decimal. The decoding result is transmitted in the following 12 bytes.
			Internal data processing.
	Photoelectric sensor from 1 -> 0		The beam of the photoelectric sensor is cleared and sets the switching input of the device to 0. This deactivates the scanner.

Table 10.67: Unsuccessful reading

PLC		Photoelectric sensor	BCL	Description
Time	Internal processing	Photoelectric sensor from 0 -> 1		The photoelectric sensor is interrupted. The signal of the switching output of the photoelectric sensor is present at the switching input of the device and activates the scanner.
		Photoelectric sensor from 1 -> 0		The beam of the photoelectric sensor is cleared before a read result is present. The photoelectric sensor sets the switching input of the device to 0 and deactivates the scanner.
		M 23 bit 0.1 from 0 -> 1 M 23 bit 0.2 from 0 -> 1 M 23 byte 1 = 1 M 23 byte 2 = result		The module decoding state signals: Reading concluded bit 0.1 = 1 and bar code not decoded bit 0.2 = 1. The data length is entered in byte 1. The result hex 3F (? = no read) is transmitted.
				Internal data processing.

11 Care, maintenance and disposal

Usually, the bar code reader does not require any maintenance by the operator.

11.1 Cleaning

↪ In the event of dust build-up, clean the device with a soft cloth; use a cleaning agent (commercially available glass cleaner) if necessary.

NOTICE
Do not use aggressive cleaning agents such as thinner or acetone to clean the device.

11.2 Servicing

11.3 Disposing

↪ For disposal observe the applicable national regulations regarding electronic components.

12 Diagnostics and troubleshooting

12.1 General causes of errors

Table 12.1: General causes of errors

Faults	Possible error causes	Measures
Status LED PWR		
Off	<ul style="list-style-type: none"> No supply voltage connected to the device Hardware error 	<ul style="list-style-type: none"> Check supply voltage Send device to customer service
Red, flashing	<ul style="list-style-type: none"> Warning 	<ul style="list-style-type: none"> Query diagnostic data and carry out the resulting measures
Red, continuous light	<ul style="list-style-type: none"> Error: no function possible 	<ul style="list-style-type: none"> Internal device error, send in device
Orange, continuous light	<ul style="list-style-type: none"> Device in service mode 	<ul style="list-style-type: none"> Reset service mode with webConfig tool or display
Status LED BUS		
Off	<ul style="list-style-type: none"> No supply voltage connected to the device Device not yet recognized by the PROFIBUS 	<ul style="list-style-type: none"> Check supply voltage Send device to customer service
Red, flashing	<ul style="list-style-type: none"> Error on the PROFIBUS 	<ul style="list-style-type: none"> Can be corrected by resetting
Red, continuous light	<ul style="list-style-type: none"> Error on the PROFIBUS 	<ul style="list-style-type: none"> Cannot be corrected by resetting Send device to customer service

12.2 Interface errors

Table 12.2: Interface error

Faults	Possible error causes	Measures
No communication via USB service interface	<ul style="list-style-type: none"> Incorrect interconnection cable Connected device is not recognized 	<ul style="list-style-type: none"> Check interconnection cable Install USB driver
No communication via PROFIBUS. BUS status LED continuous red light	<ul style="list-style-type: none"> Incorrect wiring Wrong termination Incorrect PROFIBUS address set Incorrect configuration 	<ul style="list-style-type: none"> Check wiring Check termination Check PROFIBUS address Check configuration of the device in the configuration tool
Sporadic errors at the PROFIBUS	<ul style="list-style-type: none"> Incorrect wiring Wrong termination Effects due to EMC Overall network expansion exceeded 	<ul style="list-style-type: none"> Check wiring Check termination Check shielding Check grounding concept and connection to functional earth (FE) Avoid EMC coupling caused by power cables laid parallel to device lines Check max. network expansion as a function of the max. cable lengths

13 Service and support

24-hour on-call service at:
+49 (0) 7021 573-0

Service hotline:
+49 (0) 7021 573-123
Monday to Friday 8.00 a.m. to 5.00 p.m. (UTC+1)

E-mail:
service.identify@leuze.de

Return address for repairs:
Service center
Leuze electronic GmbH + Co. KG
In der Braike 1
D-73277 Owen / Germany

13.1 What to do should servicing be required?



Please use this chapter as a master copy should servicing be required!

Enter the contact information and fax the form together with your service order to the fax number given below.

Customer data (please complete)

Device type:	
Serial number:	
Firmware:	
Display messages:	
LED states:	
Error description:	
Company:	
Contact person/department:	
Phone (direct):	
Fax:	
Street/No:	
ZIP code/City:	
Country:	

Leuze Service fax number:
+49 7021 573 - 199

14 Technical data

14.1 General specifications

14.1.1 Line scanner

Table 14.1: Optics

Light source	Laser diode
Wavelength	405 nm (blue light)
Beam exit	Front
Scanning rate	800 / 1000 scans/s
Beam deflection	By means of rotating polygon wheel
Useful opening angle	Max. 60°
Optics models / resolution	Medium Density (M): 0.25 ... 0.5 mm Low Density (F): 0.3 ... 0.5 mm
Reading distance	see chapter 14.4 "Reading field curves / optical data"
Laser class	2 acc. to EN 60825-1, CDRH (U.S. 21 CFR 1040.10)

Table 14.2: Bar code

Code types	2/5 Interleaved, Code 39, Code 128, EAN 128, EAN / UPC, Codabar, Code 93, GS1 DataBar Omnidirectional
Bar code contrast (PCS)	³ 60 %
External light tolerance	2000 lx (on the bar code)
Number of bar codes per scan	6

Table 14.3: Interface

Interface type	1x RS 485 on 2x M12 (B)
Protocols	PROFIBUS DP
Baud rate	9.6 Kbaud ... 12 MBaud
Data formats	Slave DPV1

Table 14.4: Electrical equipment

Service interface	USB 1.1 compatible, A-coded
Switching input/Switching output	4 switching inputs/outputs, freely programmable functions - Switching input: 10 ... 30 V DC depending on supply voltage, I max. = 8 mA - Switching output: 10 ... 30VDC depending on supply voltage, I max. = 60mA (short-circuit proof) Switching inputs/outputs protected against polarity reversal!
Supply voltage	10 ... 30 V DC (Class II, Safety Class III)
Power consumption	Max. 10 W

Table 14.5: Operating and display elements

Display	Monochromatic graphical display, 128 x 64 pixel, with background lighting
Keyboard	4 buttons
LEDs	2 LEDs for power (PWR) and bus state (BUS), two-colored (red/green)

Table 14.6: Mechanics

Degree of protection	IP 65 (with screwed-on M12 plugs or mounted caps)
Weight	1.1 kg
Dimensions (HxWxD)	63 x 123.5 x 106.5 mm
Housing	Diecast aluminum

Table 14.7: Environmental data

Operating temperature range	0 C ... +40 °C
Storage temperature range	-20 °C ... +70 °C
Air humidity	max. 90 % rel. humidity, non-condensing
Vibration	IEC 60068-2-6, Test Fc
Shock	IEC 60068-2-27, Test Ea
Continuous shock	IEC 60068-2-29, test Eb
Electromagnetic compatibility	EN 55022; IEC 61000-6-2 (contains IEC 61000-4-2, -3, -4, -5 and -6) ^{a)}

a) This is a Class A product. In a domestic environment this product may cause radio interference, in which case the operator may be required to take adequate measures.

14.1.2 Oscillating-mirror scanner

Specifications are the same as for line scanner with the following differences:

Table 14.8: Optics

Beam exit	Lateral zero position at an angle of 90°
Beam deflection	Via rotating polygon wheel (horizontal) and stepping motor with mirror (vertical)
Oscillation frequency	0 ... 10 Hz (adjustable, max. frequency is dependent on set swivel angle)
Max. swivel angle	±20° (adjustable)
Reading field height	see chapter 14.4 "Reading field curves / optical data"

Table 14.9: Electrical equipment

Power consumption	Max. 14 W
-------------------	-----------

Table 14.10: Mechanics

Weight	1.5 kg
Dimensions (HxWxD)	84 x 173 x 147 mm

14.2 Dimensioned drawings

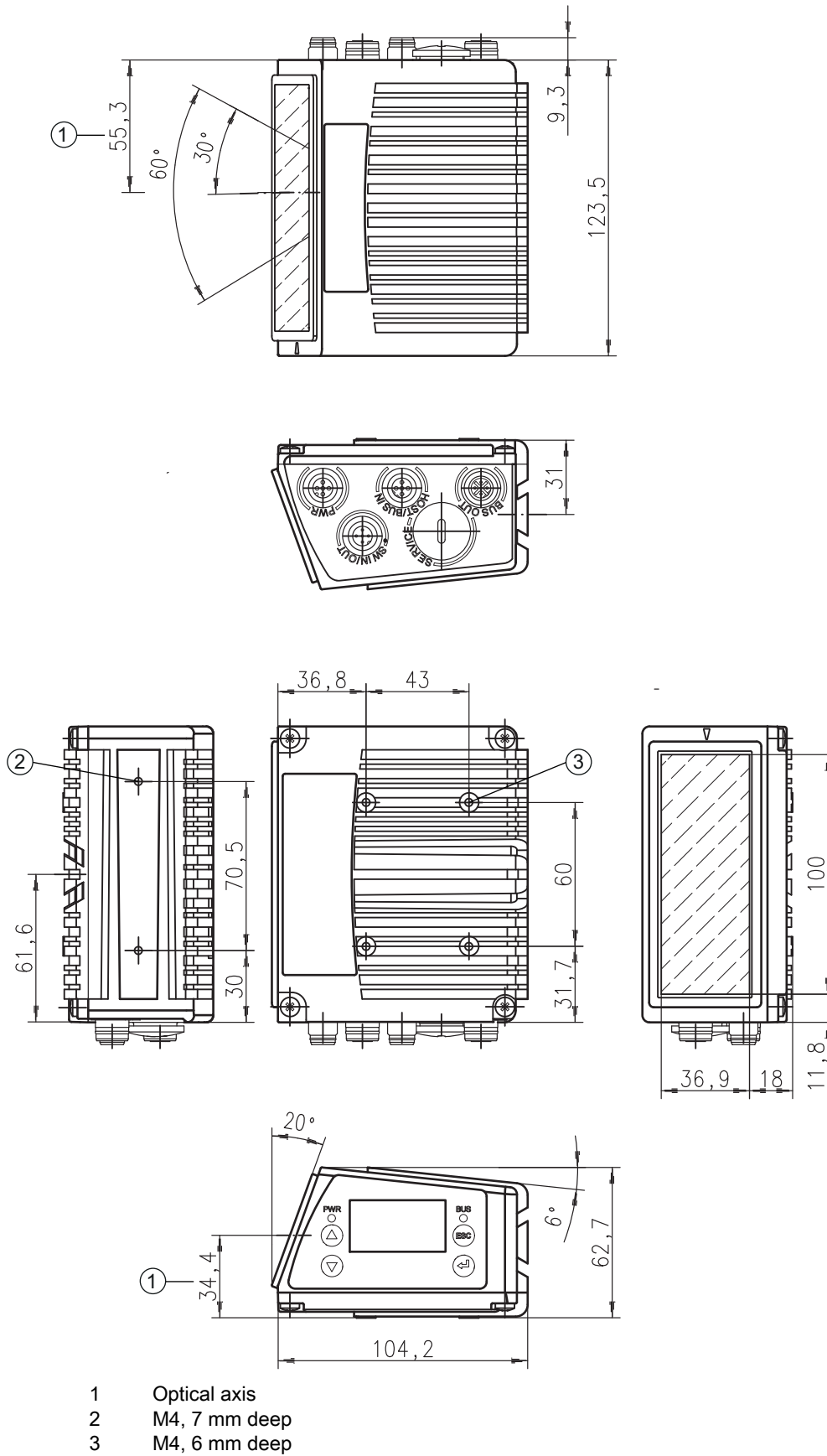
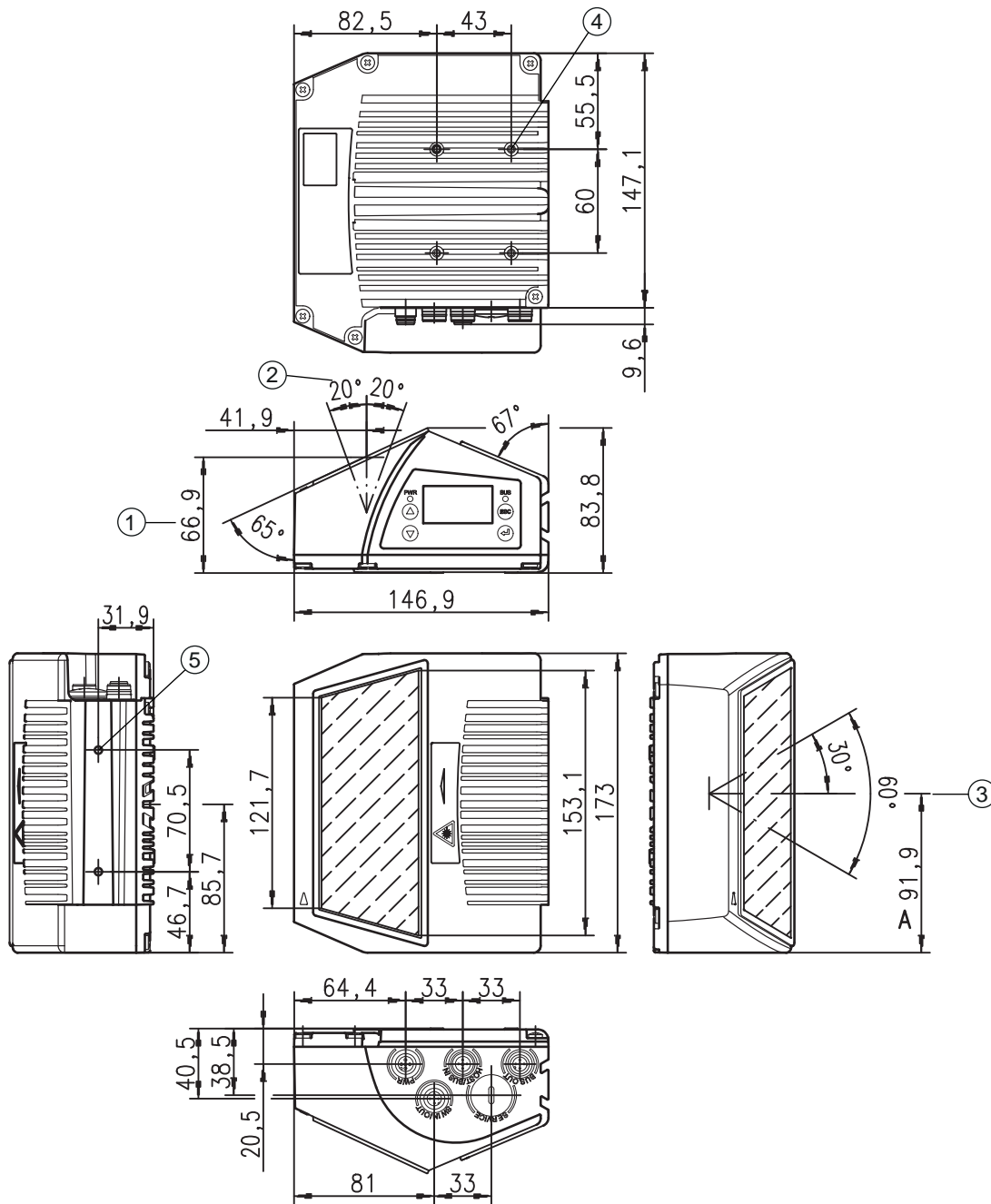


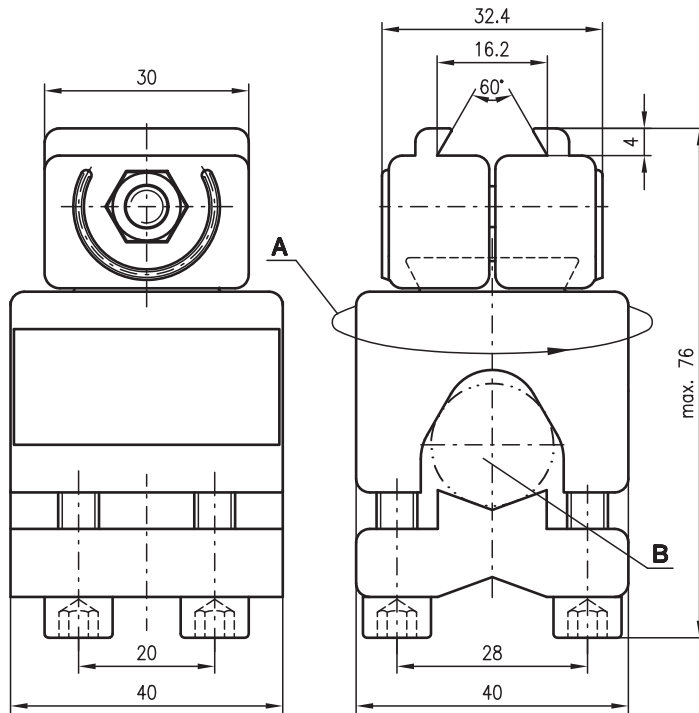
Figure 14.1: Dimensioned drawing - line scanner



- 1 Optical axis
- 2 Optical swivel range
- 3 Opening angle
- 4 M4, 7 mm deep
- 5 M4, 6 mm deep

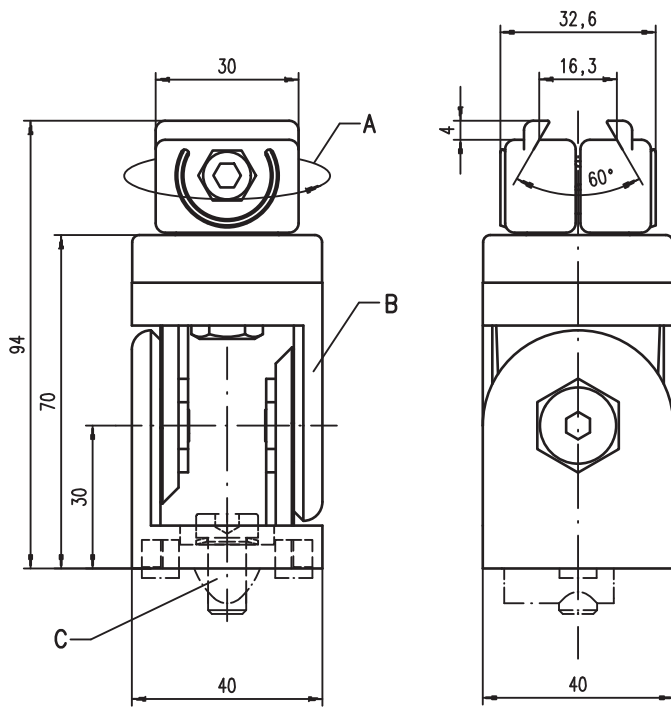
Figure 14.2: Dimensioned drawing - oscillating-mirror scanner

14.3 Dimensioned drawings: Accessories



- A Holder, turnable 360°
- B Rods, \varnothing 16 ... 20 mm

Figure 14.3: BT 56 mounting device




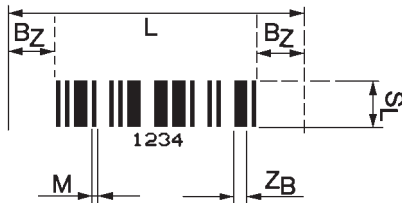
- A Holder, turnable 360°
- B ITEM joint, adjustable $\pm 90^\circ$
- C M8x16 screwable cylinder, M8 serrated washer, M8 sliding block, connectors for ITEM profile (2x)

Figure 14.4: BT 59 mounting device

14.4 Reading field curves / optical data

Bar code characteristics

 Please note that the size of the bar code module influences the maximum reading distance and the width of the reading field. Therefore, when selecting a mounting location and/or the bar code label, take into account the different reading characteristics of the scanner with various bar code modules.




- M Module: The narrowest line or space of a bar code in mm
- Z_B Wide character: Wide bars and gaps are a multiple (ratio) of the module. $\text{Module} \times \text{Ratio} = Z_B$ (Normal Ratio 1 : 2.5)
- B_Z Quiet zone: The quiet zone should be at least 10 times the module, but not less than 2.5 mm.
- L Code length: The length of the bar code in mm including the start and stop characters. The quiet zone is included depending on the code definition.
- S_L Bar length: height of the elements in mm


Figure 14.5: The most important characteristics of a bar code

The range in which the bar code can be read by the device (the so-called reading field) depends on the quality of the printed bar code and its dimensions.

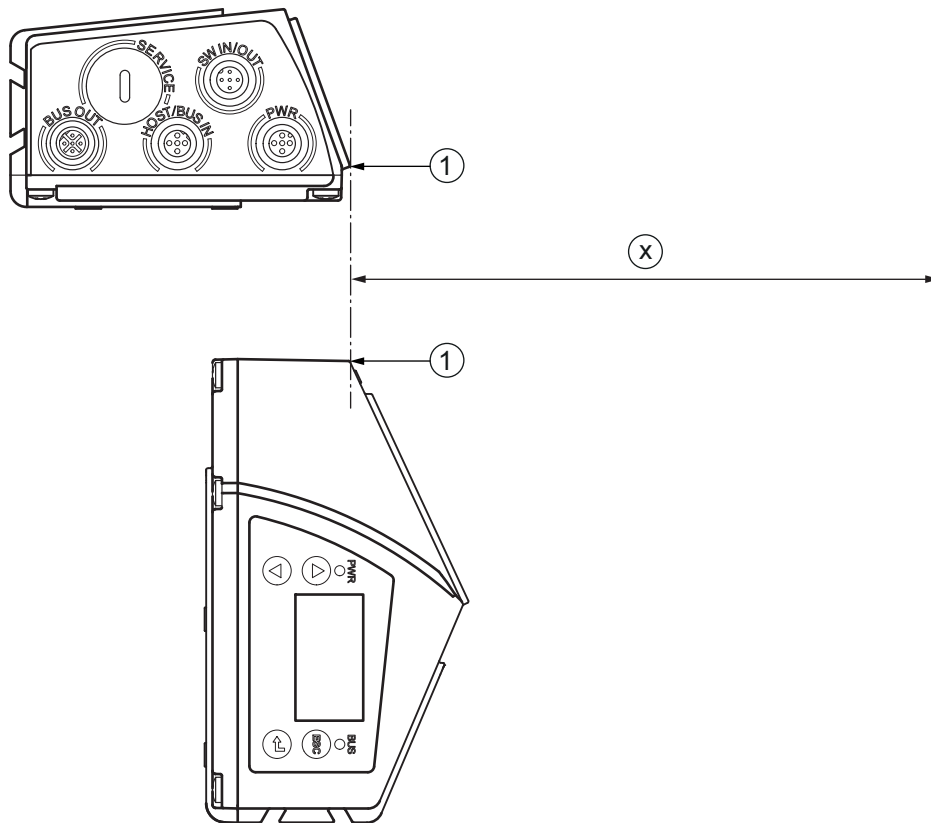
Therefore, above all, the module of a bar code is decisive for the size of the reading field.

 A rule of thumb: The smaller the module of the bar code is, the smaller the maximum reading distance and reading field width will be

14.5 Reading field curves

 Please notice that the real reading fields are also influenced by factors such as labeling material, printing quality, reading angle, printing contrast etc., and may thus deviate from the reading fields specified here.

The zero position of the reading distance always refers to the front edge of the housing of the beam exit and is shown for the two housing types of the device (see figure 14.6).



- 1 Zero position
- x Distance acc. to reading field curves

Figure 14.6: Zero position of the reading distance

Reading conditions for the reading field curves

Table 14.11: Reading conditions

Bar code type	2/5 Interleaved
Ratio	1:2.5
ANSI specification	class A
Reading rate	> 75%

14.5.1 Medium Density (M) - optics

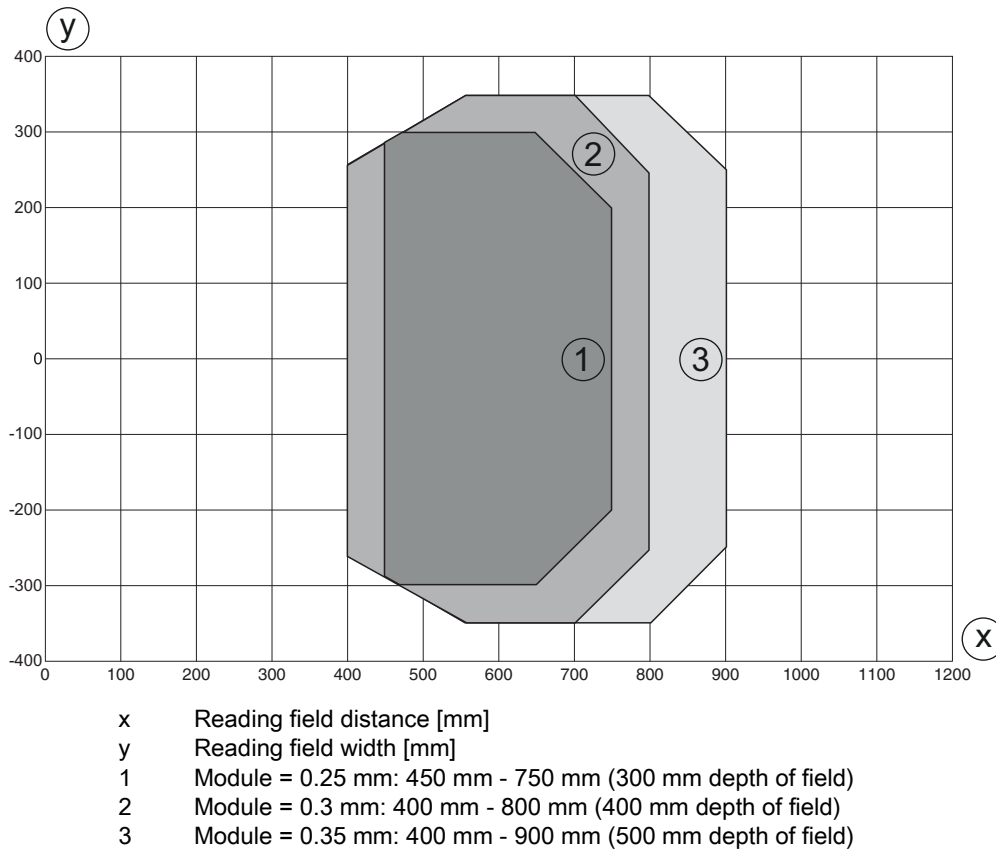


Figure 14.7: Reading field curve - Medium Density

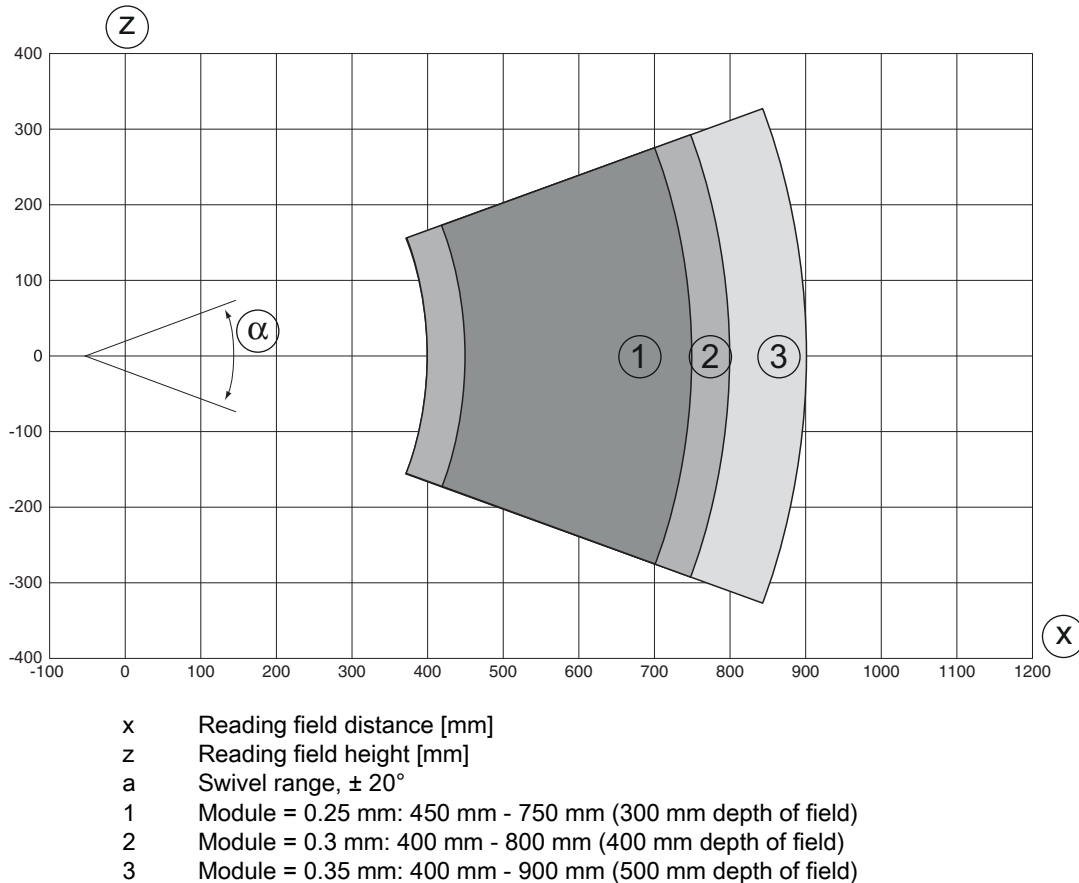
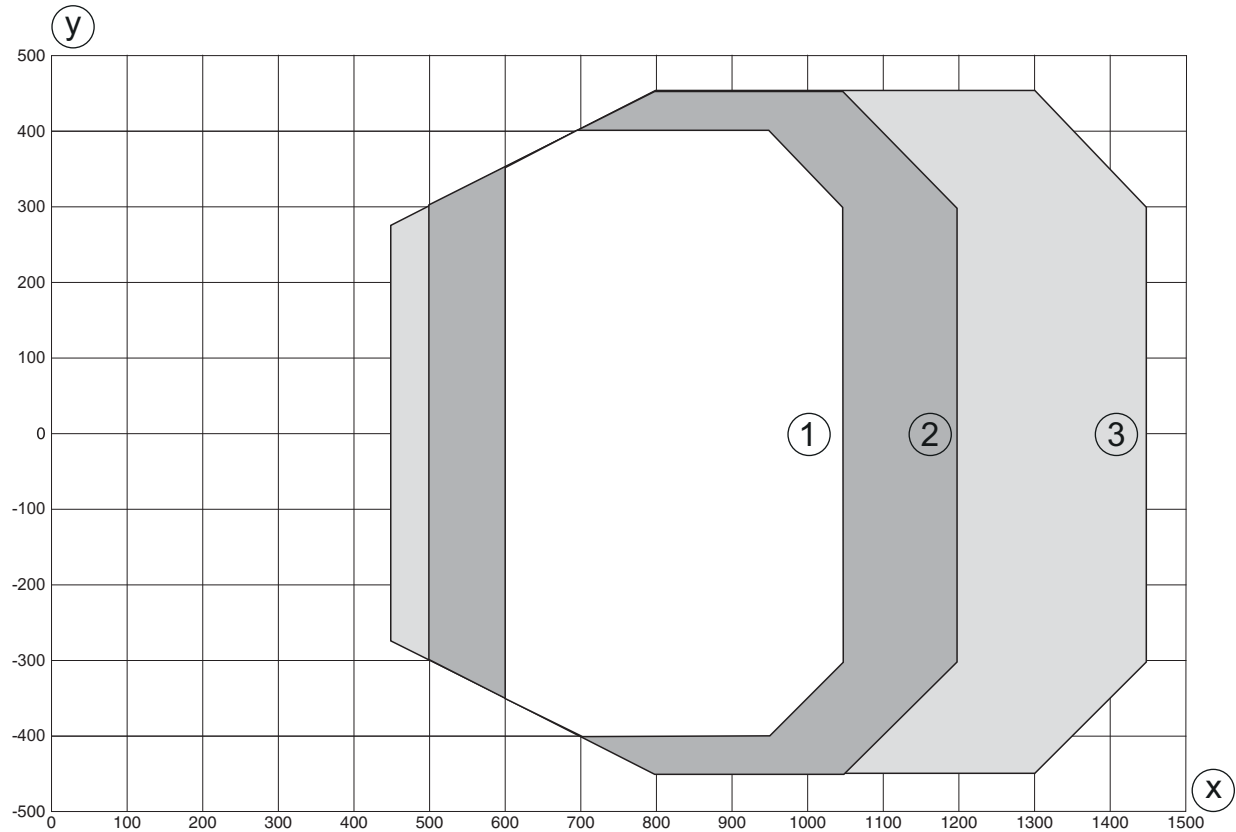


Figure 14.8: Lateral reading field curve - Medium Density for oscillating-mirror scanner

14.5.2 Low Density (F) - optics



- x Reading field distance [mm]
- y Reading field width [mm]
- 1 Module = 0.3 mm: 600 mm - 1050 mm (450 mm depth of field)
- 2 Module = 0.35 mm: 500 mm - 1200 mm (700 mm depth of field)
- 3 Module = 0.5 mm: 450 mm - 1450 mm (1000 mm depth of field)

Figure 14.9: Reading field curve - Low Density for line scanner

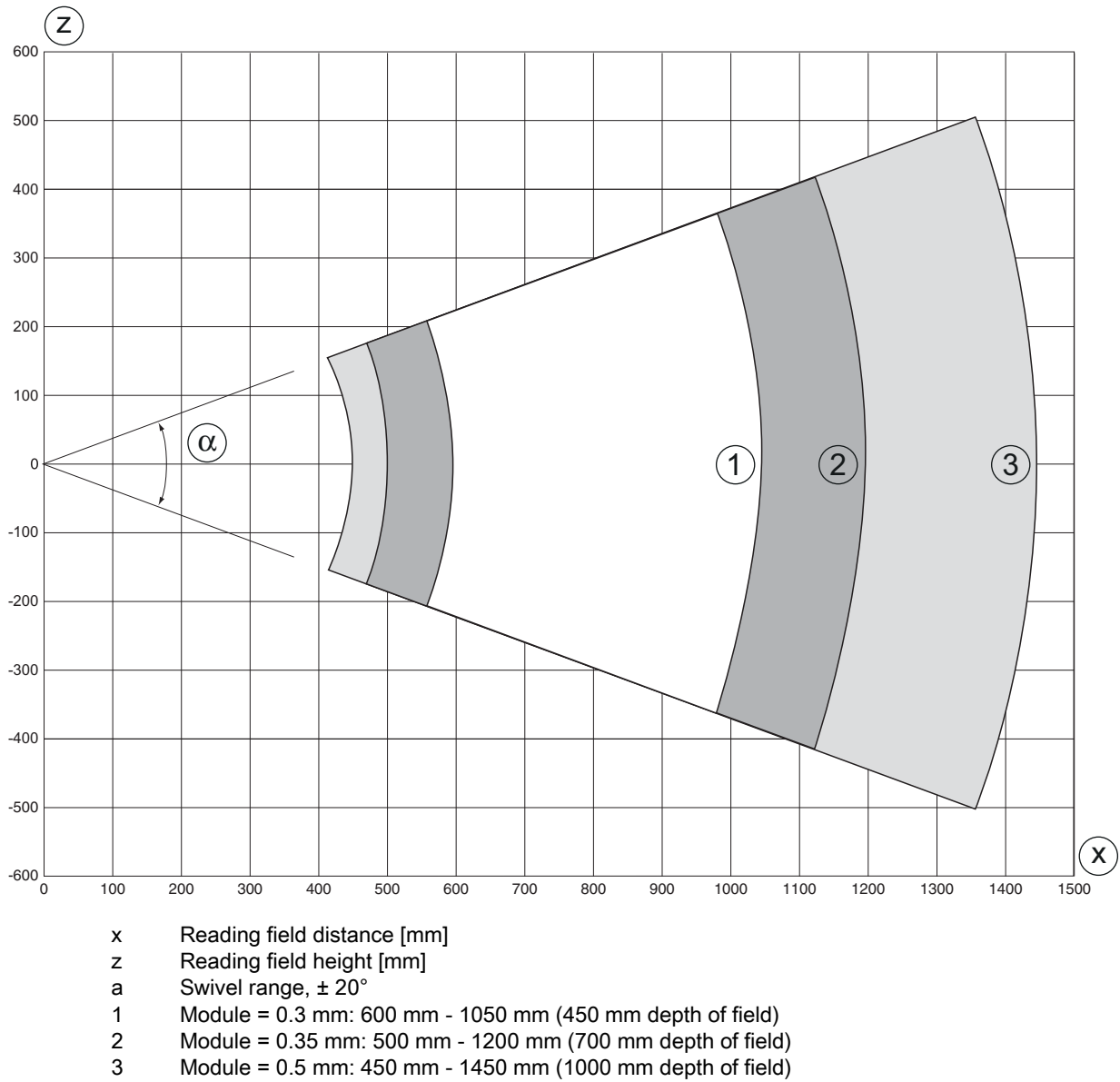


Figure 14.10: Lateral reading field curve - Low Density for oscillating-mirror scanner

15 Ordering information and accessories

15.1 Nomenclature

Part designation:

BCL 6xxi SO 10X

Table 15.1: Part number code

BCL	Bar code reader
6	Series: BCL 600
xx	Interface: 04: PROFIBUS DP 08: Ethernet 48: Profinet
i	Integrated network
S	Scanning principle: S: line scanner O: oscillating-mirror scanner
O	Optics: M: Medium Density (medium distance) F: Low Density (large distance)
X	Beam exit: 0 = perpendicular 1 = front



A list with all available device types can be found on the Leuze electronic website at www.leuze.com.

15.2 Type overview

Table 15.2: BCL 604i part numbers

Part no.	Part designation	Description
50129093	BCL 604i SM 102	Line scanner, front beam exit, Medium Density
50129094	BCL 604i OM 100	Oscillating-mirror scanner, Medium Density
50129095	BCL 604i SF 102	Line scanner, front beam exit, Low Density
50129096	BCL 604i OF 100	Oscillating-mirror scanner, Low Density

15.3 Accessories

Table 15.3: Accessories

Part no.	Part designation	Description
Voltage supply connection cables		
50104557	K-D M12A-5P-5m-PVC	M12 socket for PWR, axial plug outlet, open cable end, cable length 5m
50104559	K-D M12A-5P-10m-PVC	M12 socket for PWR, axial plug outlet, open cable end, cable length 10m

Part no.	Part designation	Description
BUS IN connection cables, M12 plug, axial cable outlet, open cable end		
50104181	KB PB-2000-BA	Cable length 2 m
50104180	KB PB-5000-BA	Cable length 5 m
50104179	KB PB-10000-BA	Cable length 10 m
50104178	KB PB-15000-BA	Cable length 15 m
50104177	KB PB-20000-BA	Cable length 20 m
50104176	KB PB-25000-BA	Cable length 25 m
50104175	KB PB-30000-BA	Cable length 30 m
BUS OUT connection cables, M12 plug, axial cable outlet, open cable end		
50104188	KB PB-2000-SA	Cable length 2 m
50104187	KB PB-5000-SA	Cable length 5 m
50104186	KB PB-10000-SA	Cable length 10 m
50104185	KB PB-15000-SA	Cable length 15 m
50104184	KB PB-20000-SA	Cable length 20 m
50104183	KB PB-25000-SA	Cable length 25 m
50104182	KB PB-30000-SA	Cable length 30 m
BUS OUT connection cables, M12 plug + M12 socket, axial cable outlets		
50104096	KB PB-1000-SBA	Cable length 1 m
50104097	KB PB-2000-SBA	Cable length 2 m
50104098	KB PB-5000-SBA	Cable length 5 m
50104099	KB PB-10000-SBA	Cable length 10 m
50104100	KB PB-15000-SBA	Cable length 15 m
50104101	KB PB-20000-SBA	Cable length 20 m
50104174	KB PB-25000-SBA	Cable length 25 m
50104173	KB PB-30000-SBA	Cable length 30 m
Connector		
50020501	KD 095-5A	M12 socket for voltage supply
50040155	KS 095-4A	M12 plug for SW IN/OUT
50038538	KD 02-5-BA	M12 socket for HOST or BUS IN
50038537	KD 02-5-SA	M12 plug for BUS OUT
50109834	KDS BUS OUT	M12 T-connector for BUS OUT
Terminating resistor		
50038539	TS 02-4-SO M12	M12 connector with integrated terminating resistor for BUS OUT

Part no.	Part designation	Description
USB cables		
50107726	KB USB A - USB A	USB service cable
External parameter memory		
50108833	USB Memory Set	External USB parameter memory
Mounting devices		
50027375	BT 56	Mounting device for rod
50111224	BT 59	Mounting device for ITEM
50106119	REF 4-A-100x100	Reflective tape as reflector for AutoRefIAct operation

16 EC Declaration of Conformity

The bar code readers of the BCL 600 series have been developed and manufactured in accordance with the applicable European standards and directives.

The manufacturer of the product, **Leuze electronic GmbH + Co. KG** in D-73277 Owen, possesses a certified quality assurance system in accordance with ISO 9001.



the **sensor** people

**EG-KONFORMITÄTS-
ERKLÄRUNG**

**EC DECLARATION
OF CONFORMITY**

**DECLARATION CE
DE CONFORMITE**

Der Hersteller

The Manufacturer

Le constructeur

Leuze electronic GmbH + Co. KG
In der Braike 1, PO Box 1111
73277 Owen, Germany

erklärt, dass die nachfolgend aufgeführten Produkte den einschlägigen Anforderungen der genannten EG-Richtlinien entsprechen.

declares that the following listed products fulfil the relevant provisions of the mentioned EC Directives.

déclare que les produits identifiés suivants sont conformes aux directives CE mentionnées.

Produktbeschreibung:

Description of product:

Description de produit:

Stationärer Barcodeleser
BCL 6xxi ...

Stationary barcode reader
BCL 6xxi ...

Lecteur de code à barres
stationnaire
BCL 6xxi ...

Angewandte EG-Richtlinie(n):

Applied EC Directive(s):

Directive(s) CE appliquées:

2004/108/EG
2006/95/EG

2004/108/EC
2006/95/EC

2004/108/CE
2006/95/CE

Angewandte Normen:

Applied standards:

Normes appliquées:

EN 61000-6-2: 2005
EN 60825-1: 2007

EN 61000-6-4: 2007 + A11: 2011

15. 1. 2015
Datum / Date / Date

[Signature]
Ulrich Balbach, Geschäftsführer / Managing Director / Gérant

Leuze electronic GmbH + Co. KG
In der Braike 1
D-73277 Owen
Telefon +49 (0) 7021 573-0
Telefax +49 (0) 7021 573-199
info@leuze.de
www.leuze.com
LEO-ZQM-148-04-FO

Leuze electronic GmbH + Co. KG, Sitz Owen, Registergericht Stuttgart, HRA 230712
Persönlich haftende Gesellschafterin Leuze electronic Geschäftsführungs-GmbH,
Sitz Owen, Registergericht Stuttgart, HRB 230550
Geschäftsführer: Ulrich Balbach
USt-IdNr. DE 145912521 | Zollnummer 2554232
Es gelten ausschließlich unsere aktuellen Verkaufs- und Lieferbedingungen
Only our current Terms and Conditions of Sale and Delivery shall apply



17 Appendix

17.1 ASCII character set

ASCII	Dec.	Hex.	Oct.	Designation	Meaning
NUL	0	00	0	NULL	Zero
SOH	1	01	1	START OF HEADING	Start of heading
STX	2	02	2	START OF TEXT	Start of text characters
ETX	3	03	3	END OF TEXT	Last character of text
EOT	4	04	4	END OF TRANSMISS.	End of transmission
ENQ	5	05	5	ENQUIRY	Request for data trans.
ACK	6	06	6	ACKNOWLEDGE	Positive acknowledgment
BEL	7	07	7	BELL	Bell signal
BS	8	08	10	BACKSPACE	Backspace
HT	9	09	11	HORIZ. TABULATOR	Horizontal tabulator
LF	10	0A	12	LINE FEED	Line feed
VT	11	0B	13	VERT. TABULATOR	Vertical tabulator
FF	12	0C	14	FORM FEED	Form feed
CR	13	0D	15	CARRIAGE RETURN	Carriage return
SO	14	0E	16	SHIFT OUT	Shift out
SI	15	0F	17	SHIFT IN	Shift in
DLE	16	10	20	DATA LINK ESCAPE	Data link escape
DC1	17	11	21	DEVICE CONTROL 1	Device control character 1
DC2	18	12	22	DEVICE CONTROL 2	Device control character 2
DC3	19	13	23	DEVICE CONTROL 3	Device control character 3
DC4	20	14	24	DEVICE CONTROL 4	Device control character 4
NAK	21	15	25	NEG. ACKNOWLEDGE	Negative acknowledge
SYN	22	16	26	SYNCHRONOUS IDLE	Synchronization
ETB	23	17	27	EOF TRANSM. BLOCK	End of data transmission block
CAN	24	18	30	CANCEL	Invalid
EM	25	19	31	END OF MEDIUM	End of medium
SUB	26	1A	32	SUBSTITUTE	Substitution
ESC	27	1B	33	ESCAPE	Escape
FS	28	1C	34	FILE SEPARATOR	File separator
GS	29	1D	35	GROUP SEPARATOR	Group separator
RS	30	1E	36	RECORD SEPARATOR	Record separator

ASCII	Dec.	Hex.	Oct.	Designation	Meaning
US	31	1F	37	UNIT SEPARATOR	Unit separator
SP	32	20	40	SPACE	Space
!	33	21	41	EXCLAMATION POINT	Exclamation point
"	34	22	42	QUOTATION MARK	Quotation mark
#	35	23	43	NUMBER SIGN	Number sign
\$	36	24	44	DOLLAR SIGN	Dollar sign
%	37	25	45	PERCENT SIGN	Percent sign
&	38	26	46	AMPERSAND	Ampersand
'	39	27	47	APOSTROPHE	Apostrophe
(40	28	50	OPEN. PARENTHESIS	Open parenthesis
)	41	29	51	CLOS. PARENTHESIS	Closed parenthesis
*	42	2A	52	ASTERISK	Asterisk
+	43	2B	53	PLUS	Plus sign
,	44	2C	54	COMMA	Comma
-	45	2D	55	HYPHEN (MINUS)	Hyphen
.	46	2E	56	PERIOD (DECIMAL)	Period (decimal)
/	47	2F	57	SLANT	Slant
0	48	30	60	0	Number
1	49	31	61	1	Number
2	50	32	62	2	Number
3	51	33	63	3	Number
4	52	34	64	4	Number
5	53	35	65	5	Number
6	54	36	66	6	Number
7	55	37	67	7	Number
8	56	38	70	8	Number
9	57	39	71	9	Number
:	58	3A	72	COLON	Colon
;	59	3B	73	SEMICOLON	Semicolon
<	60	3C	74	LESS THAN	Less than
=	61	3D	75	EQUALS	Equals
>	62	3E	76	GREATER THAN	Greater than
?	63	3F	77	QUESTION MARK	Question mark
@	64	40	100	COMMERCIAL AT	Commercial AT

ASCII	Dec.	Hex.	Oct.	Designation	Meaning
A	65	41	101	A	Capital letter
B	66	42	102	B	Capital letter
C	67	43	103	C	Capital letter
D	68	44	104	D	Capital letter
E	69	45	105	E	Capital letter
F	70	46	106	F	Capital letter
G	71	47	107	G	Capital letter
H	72	48	110	H	Capital letter
I	73	49	111	I	Capital letter
J	74	4A	112	J	Capital letter
K	75	4B	113	K	Capital letter
L	76	4C	114	L	Capital letter
M	77	4D	115	M	Capital letter
N	78	4E	116	N	Capital letter
O	79	4F	117	O	Capital letter
P	80	50	120	P	Capital letter
Q	81	51	121	Q	Capital letter
R	82	52	122	R	Capital letter
S	83	53	123	S	Capital letter
T	84	54	124	T	Capital letter
U	85	55	125	U	Capital letter
V	86	56	126	V	Capital letter
W	87	57	127	W	Capital letter
X	88	58	130	X	Capital letter
Y	89	59	131	Y	Capital letter
Z	90	5A	132	Z	Capital letter
[91	5B	133	OPENING BRACKET	Opening bracket
\	92	5C	134	REVERSE SLANT	Reverse slant
]	93	5D	135	CLOSING BRACKET	Closing bracket
^	94	5E	136	CIRCUMFLEX	Circumflex
_	95	5F	137	UNDERScore	Underscore
'	96	60	140	GRAVE ACCENT	Grave accent
a	97	61	141	a	Lower case letter
b	98	62	142	b	Lower case letter

ASCII	Dec.	Hex.	Oct.	Designation	Meaning
c	99	63	143	c	Lower case letter
d	100	64	144	d	Lower case letter
e	101	65	145	e	Lower case letter
f	102	66	146	f	Lower case letter
g	103	67	147	g	Lower case letter
h	104	68	150	h	Lower case letter
i	105	69	151	i	Lower case letter
j	106	6A	152	j	Lower case letter
k	107	6B	153	k	Lower case letter
l	108	6C	154	l	Lower case letter
m	109	6D	155	m	Lower case letter
n	110	6E	156	n	Lower case letter
o	111	6F	157	o	Lower case letter
p	112	70	160	p	Lower case letter
q	113	71	161	q	Lower case letter
r	114	72	162	r	Lower case letter
s	115	73	163	s	Lower case letter
t	116	74	164	t	Lower case letter
u	117	75	165	u	Lower case letter
v	118	76	166	v	Lower case letter
w	119	77	167	w	Lower case letter
x	120	78	170	x	Lower case letter
y	121	79	171	y	Lower case letter
z	122	7A	172	z	Lower case letter
{	123	7B	173	OPENING BRACE	Opening brace
	124	7C	174	VERTICAL LINE	Vertical line
}	125	7D	175	CLOSING BRACE	Closing brace
~	126	7E	176	TILDE	Tilde
DEL	127	7F	177	DELETE (RUBOUT)	Delete

17.2 Bar code samples

17.2.1 Module 0.3



Figure 17.1: Code type 01: Interleaved 2 of 5

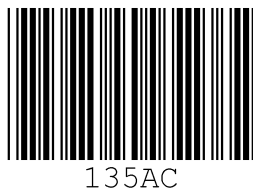


Figure 17.2: Code type 02: Code 39



Figure 17.3: Code type 06: UPC-A



Figure 17.4: Code type 07: EAN 8



Figure 17.5: Code type 08: EAN 128

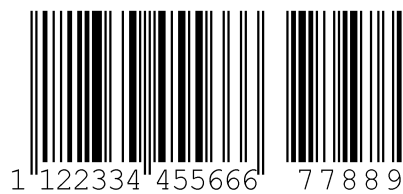


Figure 17.6: Code type 10: EAN 13 Add-on



Figure 17.7: Code type 11: Codabar



Figure 17.8: Code 128

17.2.2 Module 0.5

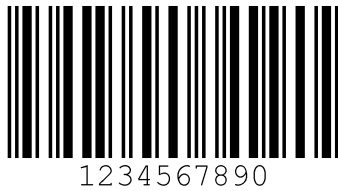


Figure 17.9: Code type 01: Interleaved 2 of 5

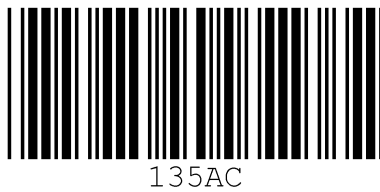


Figure 17.10: Code type 02: Code 39

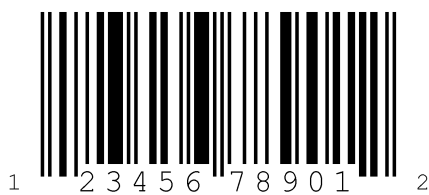


Figure 17.11: Code type 06: UPC-A



Figure 17.12: Code type 07: EAN 8



Figure 17.13: Code type 08: EAN 128

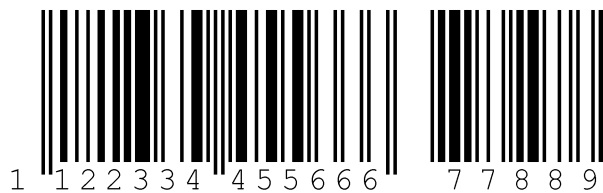


Figure 17.14: Code type 10: EAN 13 Add-on



Figure 17.15: Code type 11: Codabar

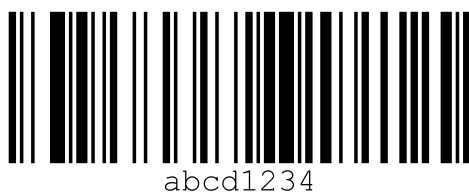


Figure 17.16: Code 128