

Technical data sheet Interconnection cable

Part no.: 50133876

KDS S-M12-5A-M12-5W-V1-010

Contents

- Technical data
- Electrical connection
- Circuit diagrams

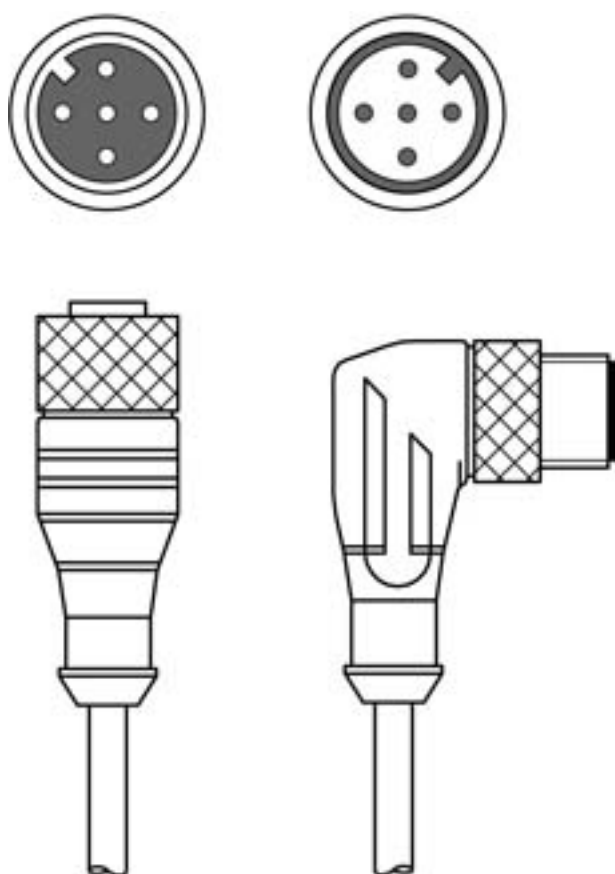


Figure can vary



Technical data

Connection

Connection 1

Type of connection	Connector
Thread size	M12
Type	Female
No. of pins	5 -pin
Encoding	A-coded
Version	Axial

Connection 2

Type of connection	Connector
Thread size	M12
Type	Male
No. of pins	5 -pin
Encoding	A-coded
Version	Angled

Cable properties

Number of conductors	5 Piece(s)
Wire cross section	0.34 mm ²
AWG	22
Sheathing color	Black
Shielded	Yes
Silicone-free	Yes
Cable design	Interconnection cable
Cable diameter (external)	5.6 mm
Cable length	1,000 mm
Sheathing material	PVC
Wire insulation	PVC
Suitability for drag chains	No
Properties of the outer sheathing	Free of CFC, cadmium, silicone and lead, easily machine-processable
Resistance of the outer sheathing	Good oil, gasoline and chemical resistance, flame retardant in accordance with UL 1581 VW1 / CSA FT1

Mechanical data

Width across flats	13 mm
Bending radius, flexible laying, min.	Min. 10 x cable diameter
Bending radius, stationary laying, min.	Min. 10 x cable diameter

Environmental data

Ambient temperature, operation, flexible use	-5 ... 80 °C
Ambient temperature, operation, stationary use	-30 ... 80 °C

Certifications

Degree of protection	IP 65
	IP 67
Certifications	c UL US

Classification

Customs tariff number	85444290
eCl@ss 5.1.4	27279201
eCl@ss 8.0	27279218
eCl@ss 9.0	27060311
eCl@ss 10.0	27060311
eCl@ss 11.0	27060311
ETIM 5.0	EC001855
ETIM 6.0	EC001855
ETIM 7.0	EC001855

Electrical connection

Connection 1

Type of connection	Connector
Thread size	M12
Type	Female
No. of pins	5 -pin
Encoding	A-coded
Version	Axial

Connection 2

Type of connection	Connector
Thread size	M12
Type	Male
No. of pins	5 -pin
Encoding	A-coded
Version	Angled

Circuit diagrams

