

Technical data sheet

Transponder

Part no.: 50102956

TFM 03 5125.220

Contents

- Technical data
- Dimensioned drawings
- Notes
- Further information



Figure can vary



Technical data

Basic data

Series	TFM
Suitable for	RFM
Chip	TagIT HFI
Working frequency	13.56 MHz

Electrical data

Performance data

Memory access	Read/Write
Memory size	256 B
Memory block	32 Piece(s)
Memory block size	8 B
Storage time	50 ms

Certifications

Standards applied	ISO 15693
-------------------	-----------

Mechanical data

Design	Card
Dimension (W x H x L)	28 mm x 1 mm x 50 mm
Housing material	Plastic
Plastic housing	PET
Net weight	5 g

Environmental data

Ambient temperature, operation	-10 ... 50 °C
Ambient temperature, storage	-35 ... 50 °C

Certifications

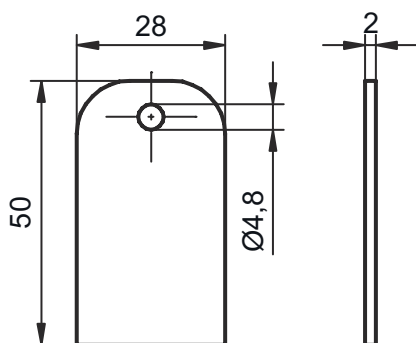
Degree of protection	IP 67
----------------------	-------

Classification

Customs tariff number	85235200
eCl@ss 5.1.4	27289200
eCl@ss 8.0	27289290
eCl@ss 9.0	27280402
eCl@ss 10.0	27280402
eCl@ss 11.0	27280402
ETIM 5.0	EC002498
ETIM 6.0	EC002996
ETIM 7.0	EC002996

Dimensioned drawings

All dimensions in millimeters



Notes



Observe intended use!



- ⚠ This product is not a safety sensor and is not intended as personnel protection.
- ⚠ The product may only be put into operation by competent persons.
- ⚠ Only use the product in accordance with its intended use.

Further information

- Under certain circumstances, metal in the reading field reduces the operating range considerably.