

Technical data sheet Safety position switch

Part no.: 63000300

S300-M0C3-M20-15

Contents

- Technical data
- Dimensioned drawings
- Electrical connection
- Circuit diagrams
- Notes



Figure can vary



Technical data

Basic data

Series	S300
--------	------

Functions

Functions	Integration in control circuits up to category 4 in accordance with EN ISO 13849-1 Locking device without guard interlocking according to EN ISO 14119
-----------	---

Characteristic parameters

Mission time T_M	20 years, EN ISO 13849-1
$B10_d$	40,000,000 number of cycles

Electrical data

Usage category at DC 13	U_e / I_e : 24 V / 6 A, 125 V / 1.1 A, 250 V / 0.4 A, EN 60947-5-1
Usage category at AC 15	U_e / I_e : 250 V / 6 A, 400 V / 4 A, 500 V / 1 A, EN 60947-5-1
Contact allocation	1NC + 1NO
Contact opening	Force-fit
Short circuit protected	500 V, 10 A, type aM, IEC 60269-1
Contact protection	Earthing

Performance data

Rated insulation voltage	500 V AC, 600 V DC
Conventional thermal current, max.	10 A

Connection

Number of connections	1 Piece(s)
Number of cable entries	3 Piece(s)

Connection 1

Function	Contact connection
Type of connection	Terminal
Type of terminal	Screw terminal
No. of pins	4 -pin

Cable properties

Connection cross sections	1 x 0.5 mm ² to 2 x 2.5 mm ² , wire
---------------------------	---

Mechanical data

Design	Cubic
Dimension (W x H x L)	56 mm x 33 mm x 107 mm
Housing material	Metal
Metal housing	ZAMAK
Electrical contact material	Silver alloy
Net weight	251 g
Housing color	Gray
Type of fastening	Through-hole mounting
Type of cable entry	M20 x 1.5
Switch type	Interlock device without guard interlocking, ISO 14119
Switching principle	Snap-action contact
Switching direction	Both sides
Approach actuation directions	1 x top 4 x side (90°)
Approach speed with angle of approach of 15°	0.00004 ... 1 m/s
Approach speed with angle of approach of 30°	0.00002 ... 0.5 m/s
Approach speed with angle of approach of 45°	0.00001 ... 0.3 m/s
Mechanical life time	20,000,000 actuation cycles, IEC 6047-5-1 switching cycles
Actuation frequency, max.	3,600 per hour, IEC 6047-5-1
Actuator	Plunger actuator
Actuation force, min.	11 N
Actuator mount	Without

Environmental data

Ambient temperature, operation	-25 ... 80 °C
Degree of contamination	3, EN 60947-1

Certifications

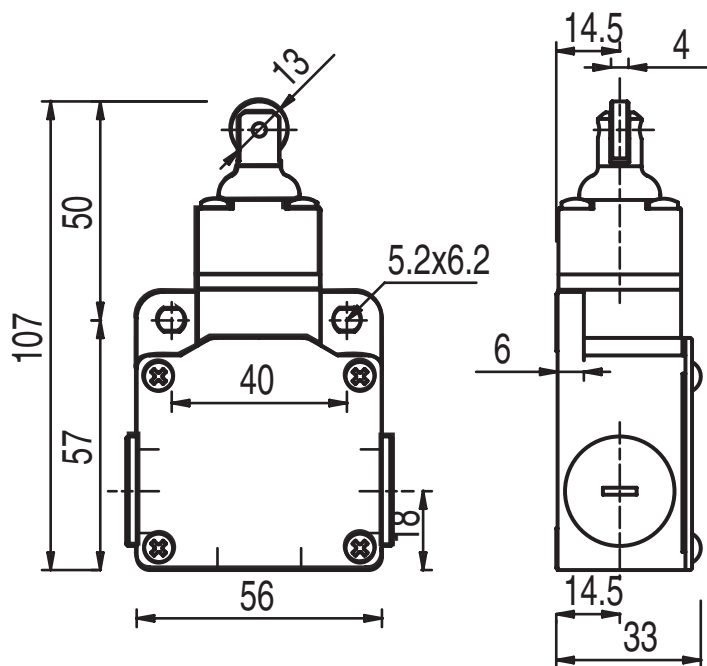
Degree of protection	IP 67
Certifications	c UL US IMQ

Classification

Customs tariff number	85369095
eCl@ss 5.1.4	27272601
eCl@ss 8.0	27272601
eCl@ss 9.0	27272601
eCl@ss 10.0	27272601
eCl@ss 11.0	27272601
ETIM 5.0	EC000030
ETIM 6.0	EC000030
ETIM 7.0	EC000030

Dimensioned drawings

All dimensions in millimeters



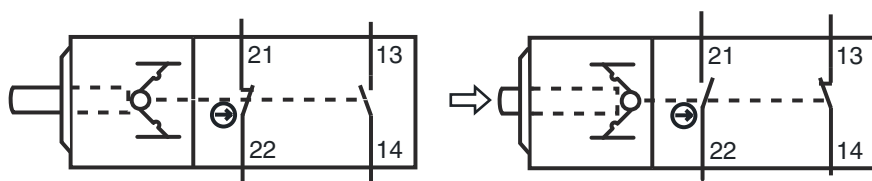
Electrical connection

Connection 1

Function	Contact connection
Type of connection	Terminal
Type of terminal	Screw terminal
No. of pins	4 -pin

Pin	Pin assignment
	21
1	NC
	22
2	NC
	13
3	NO
	14
4	NO

Circuit diagrams



Notes



Observe intended use!



- ↪ The product may only be put into operation by competent persons.
- ↪ Only use the product in accordance with its intended use.