

## Technical data sheet Mounting bracket set

Part no.: 560343

BT-SET-240CCS

### Contents

- Technical data
- Dimensioned drawings



Figure can vary

## Technical data

### Basic data

Suitable for	MLD-M002, MLD-M003 deflecting mirror
--------------	--------------------------------------

### Mechanical data

Type of fastening, at system	Through-hole mounting
Type of fastening, at device	Clampable
Type of mounting device	Shock absorber
	Turning, 240°
Mounting device material	Metal

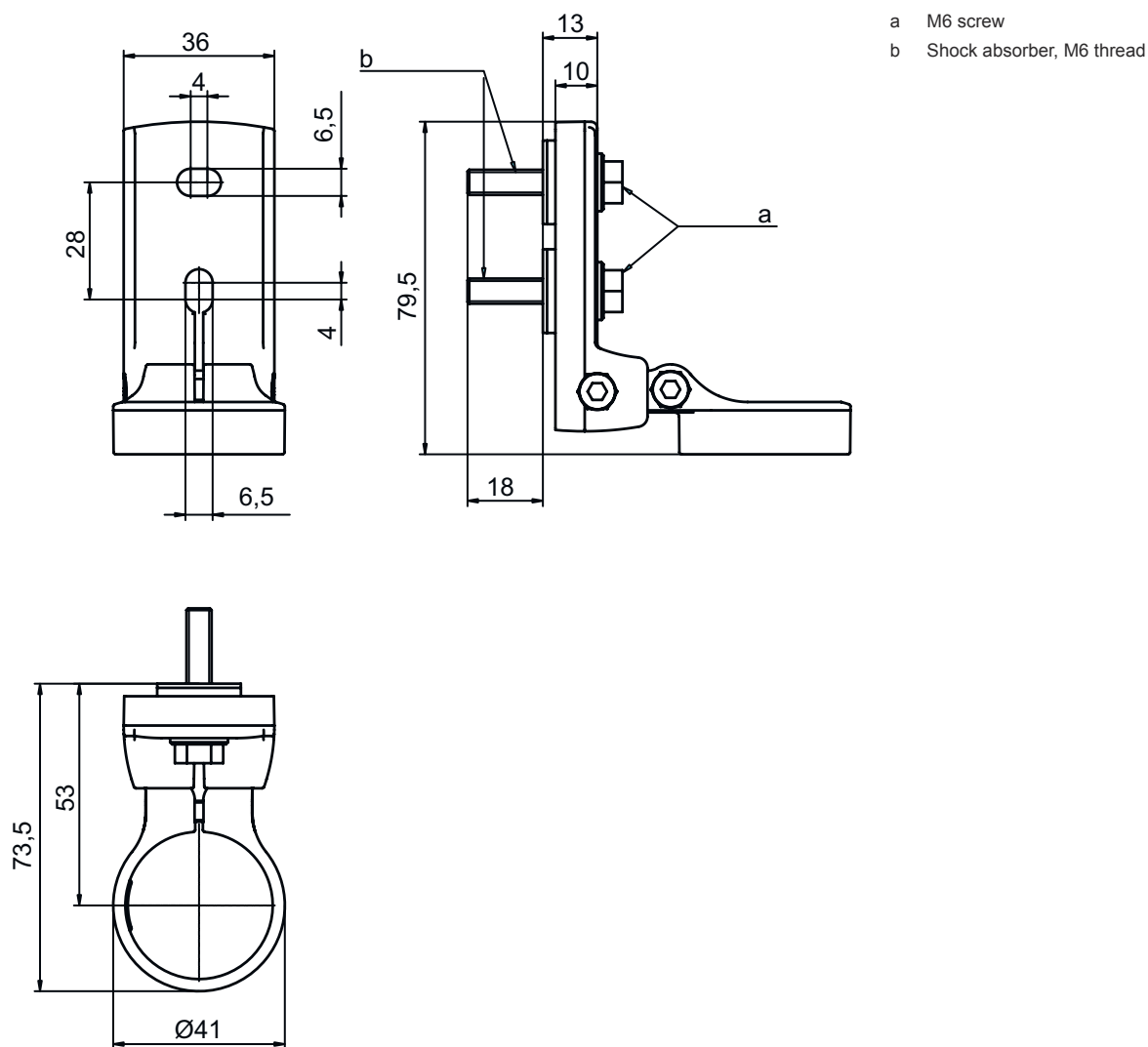
### Classification

Customs tariff number	73269098
eCl@ss 5.1.4	27279202
eCl@ss 8.0	27279202
eCl@ss 9.0	27273701
eCl@ss 10.0	27273701
eCl@ss 11.0	27273701
ETIM 5.0	EC002498
ETIM 6.0	EC003015
ETIM 7.0	EC003015

## Dimensioned drawings

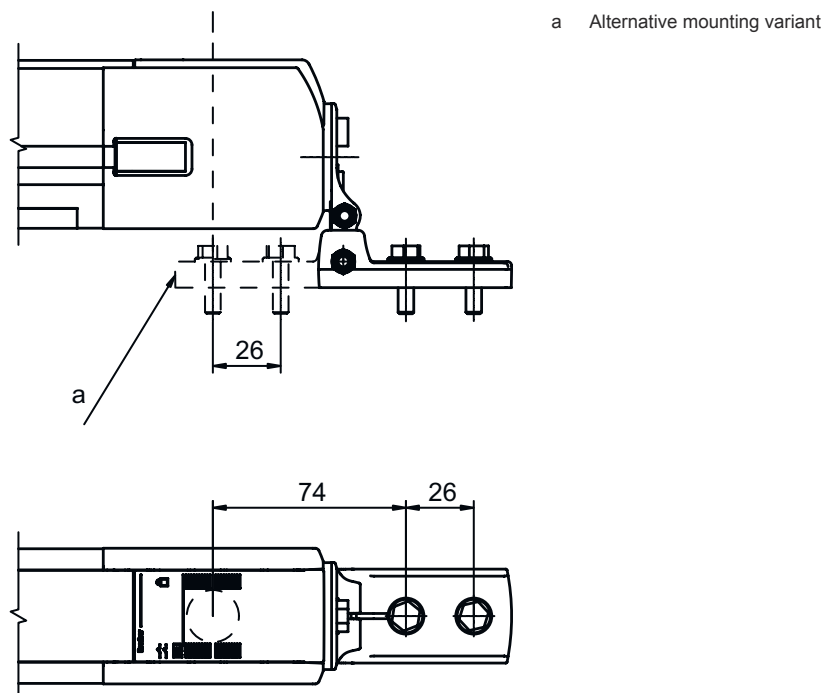
All dimensions in millimeters

### BT-SET-240CS swivel mount



## Dimensioned drawings

### Mounting dimensions



### Mounting variants

