

Technical data sheet Signaling column element

Part no.: 50138366

A7-V1-BZ3-S

Contents

- Technical data
- Dimensioned drawings
- Notes



Figure can vary



Technical data

Basic data

Series	A7
Suitable for	Signaling column elements of the A7 – Advanced Series
Type of signaling	Acoustic

Electrical data

Performance data

Supply voltage U_B	24 V, DC, 10 %
Current consumption, max.	30 mA

Connection

Notes	Protected against accidental interchanges: Actuation of the colors is performed via PINs, thus, the calotte position can be freely selected (see operating instructions). The individual colors are actuated via VCC (PNP)
-------	-------------------------------------------------------------------------------------------------------------------------------------------------------------------------------------------------------------------------------

Mechanical data

Design	Cylindrical
Dimension (\varnothing x L)	70 mm x 50 mm
Housing material	Plastic
Net weight	92 g
Type of fastening	Bayonet system

Operation and display

Operational controls	225° potentiometer
Function of the operational control	Volume control

Environmental data

Ambient temperature, operation	-10 ... 60 °C
--------------------------------	---------------

Certifications

Degree of protection	IP 66
Certifications	CE CSA

Acoustic data

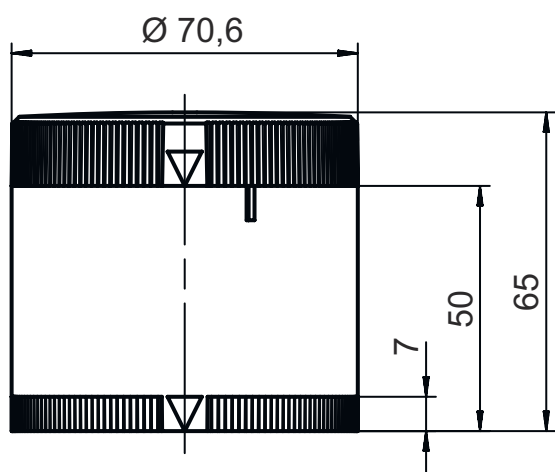
Tone type	Pulse tone
Sound pressure	105 dB
Number of tones	1 Piece(s)

Classification

Customs tariff number	85318070
eCl@ss 5.1.4	27371237
eCl@ss 8.0	27371237
eCl@ss 9.0	27371237
eCl@ss 10.0	27371237
eCl@ss 11.0	27371237
ETIM 5.0	EC001261
ETIM 6.0	EC001261
ETIM 7.0	EC001261

Dimensioned drawings

All dimensions in millimeters



Notes



Observe intended use!



- ⌘ This product is not a safety sensor and is not intended as personnel protection.
- ⌘ The product may only be put into operation by competent persons.
- ⌘ Only use the product in accordance with its intended use.