

Technical data sheet

Connection cable

Part no.: 50037339

BK7 KB-140-5000-20

Contents

- Technical data
- Electrical connection

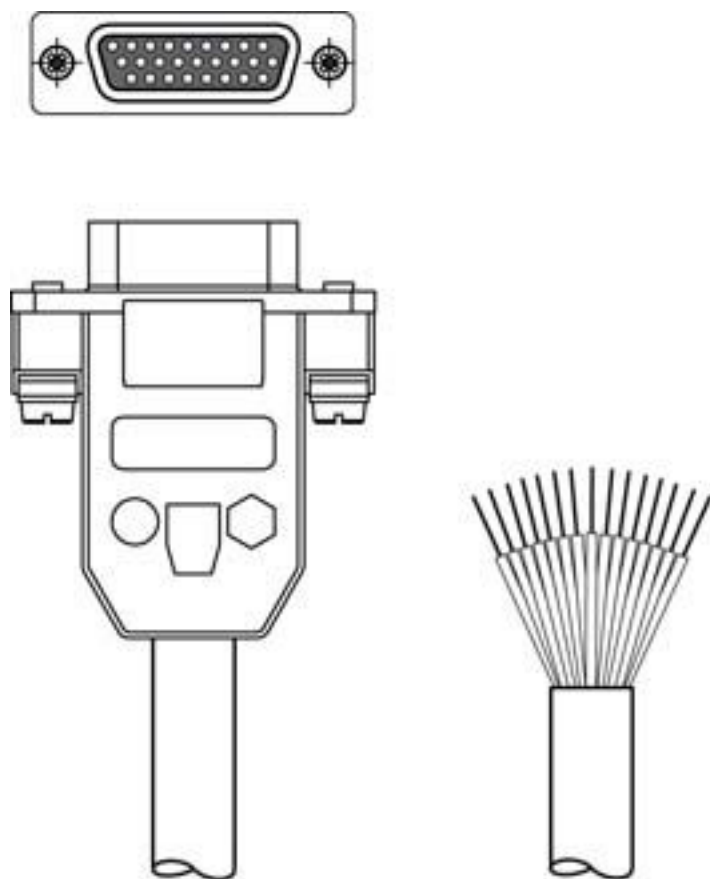


Figure can vary



Technical data

Electrical data

Performance data

Operating voltage 30 V AC/DC

Connection

Connection 1

Type of connection Sub-D

Type Female

No. of pins 26 -pin

Version Axial

Connection 2

Type of connection Open end

Cable properties

Number of conductors 26 Piece(s)

Sheathing color Gray

Shielded Yes

Cable design Connection cable (open on one end)

Cable diameter (external) 8 mm

Cable length 5,000 mm

Sheathing material PVC

Suitability for drag chains No

Classification

Customs tariff number 85444290

eCl@ss 5.1.4 27279201

eCl@ss 8.0 27279218

eCl@ss 9.0 27060311

eCl@ss 10.0 27060311

eCl@ss 11.0 27060311

ETIM 5.0 EC001855

ETIM 6.0 EC001855

ETIM 7.0 EC001855

Electrical connection

Connection 1

Type of connection Sub-D

Type Female

No. of pins 26 -pin

Version Axial

Connection 2

Type of connection Open end