

Technical data sheet

Deflecting mirror

Part no.: 529602

UM60-225

Contents

- Technical data
- Dimensioned drawings



Figure can vary

Technical data

Basic data

Series	UM
Type, columns and mirrors	Deflecting mirror

Mechanical data

Dimension (W x H x L)	25 mm x 68 mm x 295 mm
Net weight	700 g
Housing color	Yellow, RAL 1021
Type of fastening	Groove mounting Swivel mount
Suitable for sensor	MLC 500, MLC 300 safety light curtains
Protected field height up to	225 mm
Mirror length	285 mm

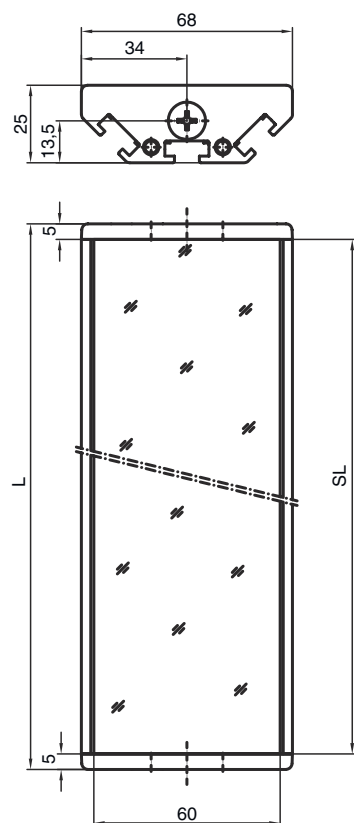
Classification

Customs tariff number	70099200
eCl@ss 5.1.4	27279207
eCl@ss 8.0	27279207
eCl@ss 9.0	27273605
eCl@ss 10.0	27273605
eCl@ss 11.0	27273605
ETIM 5.0	EC002467
ETIM 6.0	EC002467
ETIM 7.0	EC002467

Dimensioned drawings

All dimensions in millimeters

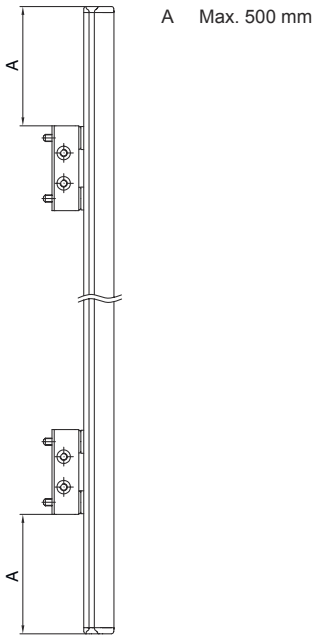
Mirror



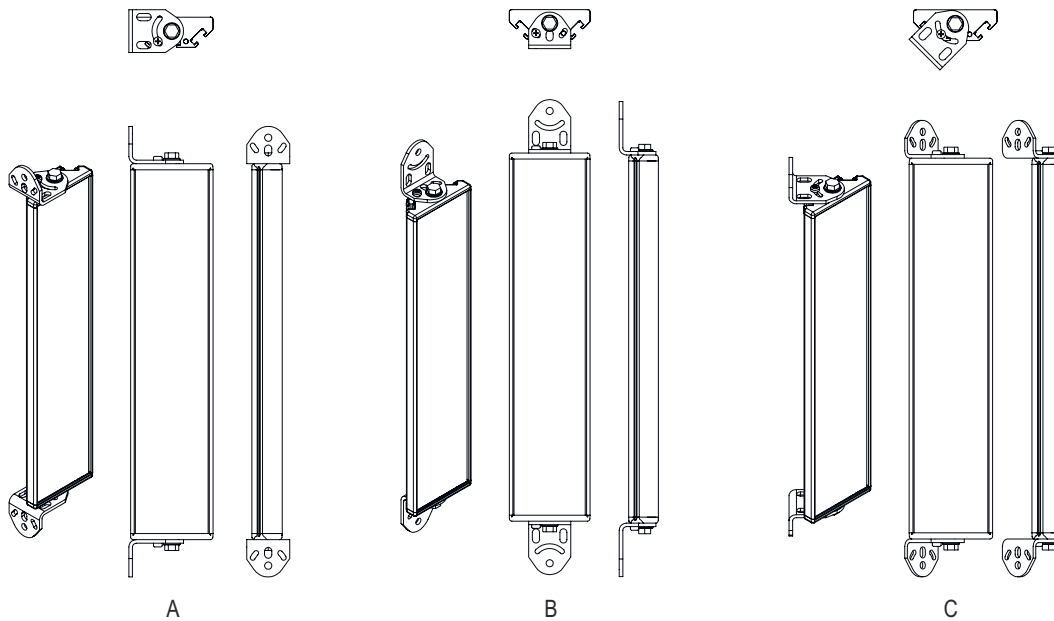
L Length = 295 mm
SL Mirror length = 285 mm

Dimensioned drawings

Mounting distances



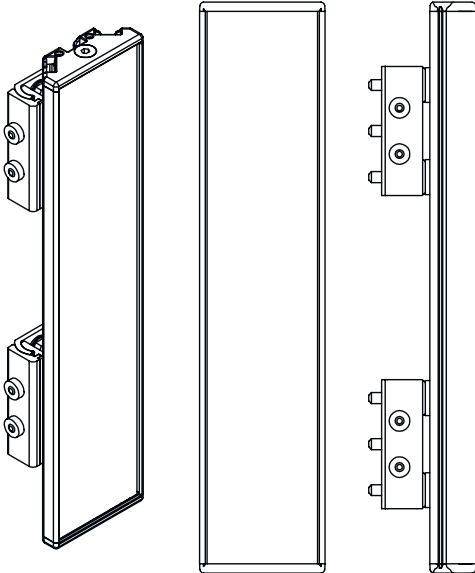
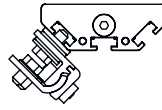
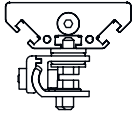
Mounting with BT-UM60 standard bracket



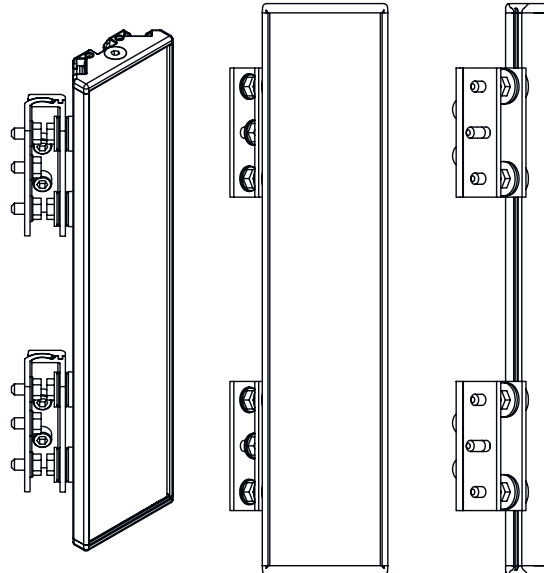
- A Lateral
- B Rear side
- C Adjustable at an angle (0 - 90°)

Dimensioned drawings

Mounting with BT-UM60 standard bracket



A



B

- A Rear side
- B Lateral 45°