

## Technical data sheet

### Transponder

Part no.: 50108070

TFM 05 1110.Ex

#### Contents

- Technical data
- Dimensioned drawings
- Notes
- Further information



Figure can vary



## Technical data

### Basic data

Series	TFM
Suitable for	RFM
Chip	I-CodeSLI
Working frequency	13.56 MHz

### Electrical data

#### Performance data

Memory access	Read/Write
Memory size	112 B
Memory block	28 Piece(s)
Memory block size	4 B
Storage time	50 ms

### Certifications

Standards applied	ISO 15693
-------------------	-----------

### Mechanical data

Design	Disc
Thickness	15 mm
Outer diameter	54 mm
Inner diameter	5 mm
Housing material	Plastic
Plastic housing	Unreinforced polyamide PA
Net weight	45 g
Mounting	On metal

### Environmental data

Ambient temperature, operation	-25 ... 60 °C
Ambient temperature, storage	-40 ... 85 °C

### Ex specification

Ex device group	II
Permissible surface temperature	T=80 °C
Temperature class, gases	T4
Ignition protection type	"nA" non-sparking "tD" protection through housing

### Certifications

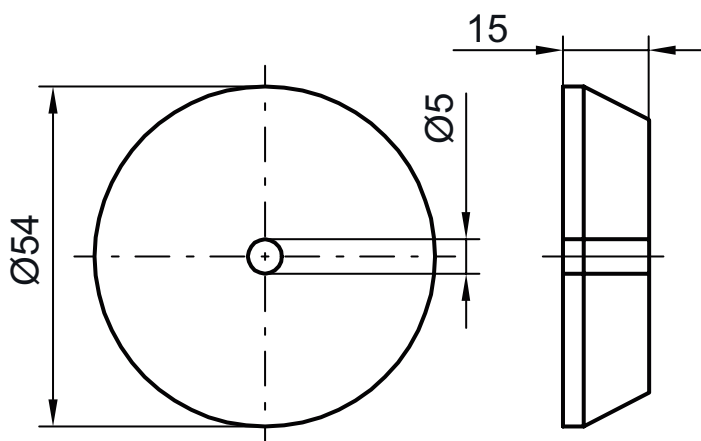
Degree of protection	IP 67
----------------------	-------

### Classification

Customs tariff number	85235200
eCl@ss 5.1.4	27289200
eCl@ss 8.0	27289290
eCl@ss 9.0	27280402
eCl@ss 10.0	27280402
eCl@ss 11.0	27280402
ETIM 5.0	EC002498
ETIM 6.0	EC002996
ETIM 7.0	EC002996

## Dimensioned drawings

All dimensions in millimeters



## Notes



### Observe intended use!



- ⌘ This product is not a safety sensor and is not intended as personnel protection.
- ⌘ The product may only be put into operation by competent persons.
- ⌘ Only use the product in accordance with its intended use.

## Further information

- Under certain circumstances, metal in the reading field reduces the operating range considerably.