

Technical data sheet

Fieldbus gateway

Part no.: 50132994

MSI-FB-CANOPEN

Contents

- Technical data
- Dimensioned drawings
- Electrical connection
- Circuit diagrams
- Notes



Figure can vary



Technical data

Basic data

Series	MSI-FB
Application	Transfer of MSI 400 diagnostic data via CANOPEN

Functions

Functions	Fieldbus module for the MSI 400 for connecting to CANOPEN
-----------	---

Electrical data

Performance data	
Supply voltage U_B	24 V, DC, -20 ... 25 %

Output circuit

Interface

Type	CANopen
CANopen	
Function	Process

Connection

Number of connections	1 Piece(s)
-----------------------	------------

Connection 1

Function	Data interface
Type of connection	Terminal
Type of terminal	Screw terminal
No. of pins	5 -pin

Mechanical data

Dimension (W x H x L)	22.5 mm x 96.5 mm x 121 mm
Net weight	150 g
Housing color	Gray
Type of fastening	Snap-on mounting

Environmental data

Ambient temperature, operation	-25 ... 55 °C
Ambient temperature, storage	-25 ... 70 °C
Relative humidity (non-condensing)	10 ... 95 %

Certifications

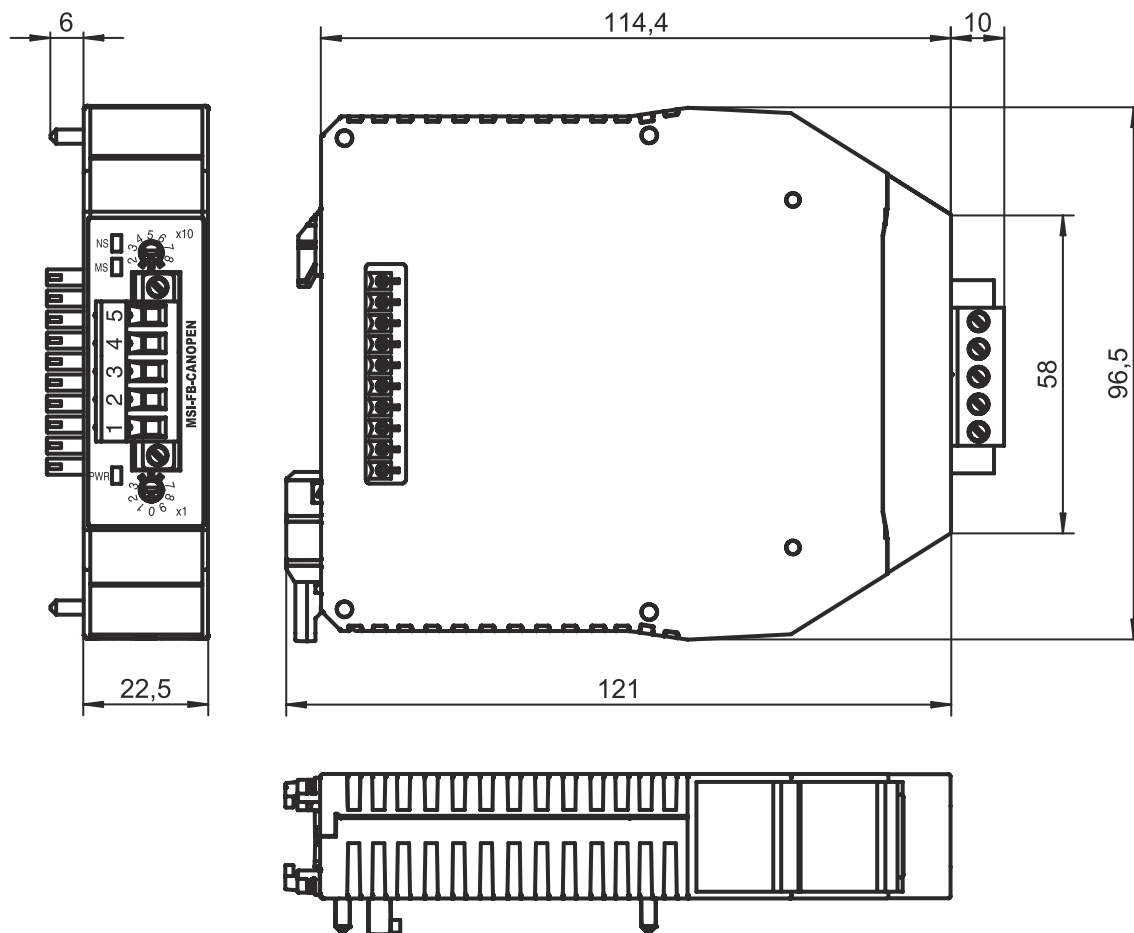
Degree of protection	IP 20
Certifications	c UL US
Vibration resistance	5 ... 150 Hz
Test procedure for oscillation in accordance with standard	EN 60068-2-6
Shock resistance, single shock	30 g, 11 ms, EN 60068-2-27
Shock resistance, continuous shock	10 g, 16 ms, EN 60068-2-29

Classification

Customs tariff number	85364900
eCl@ss 5.1.4	27242208
eCl@ss 8.0	27242208
eCl@ss 9.0	27242208
eCl@ss 10.0	27242208
eCl@ss 11.0	27242208
ETIM 5.0	EC001423
ETIM 6.0	EC001423
ETIM 7.0	EC001423

Dimensioned drawings

All dimensions in millimeters



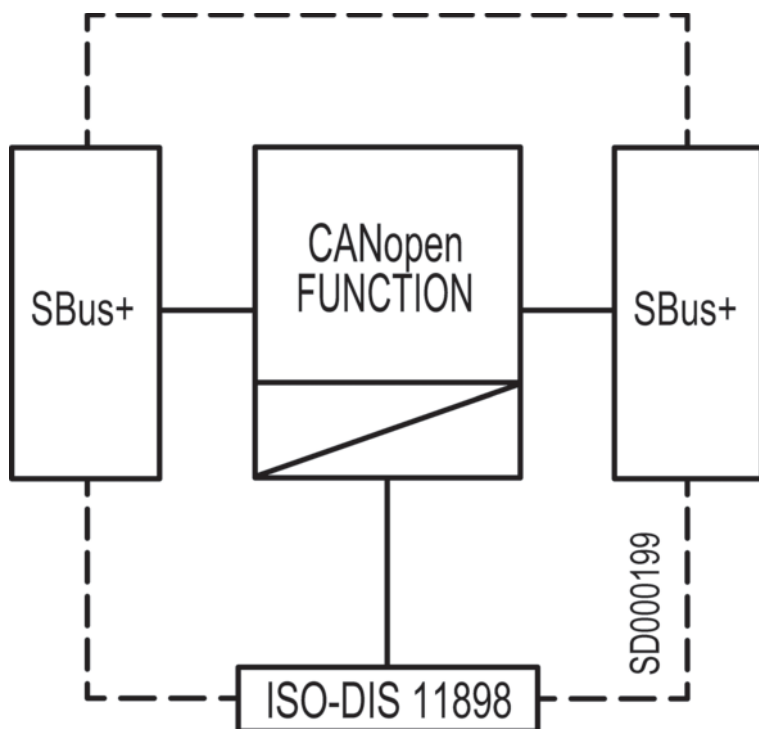
Electrical connection

Connection 1

Function	Data interface
Type of connection	Terminal
Type of terminal	Screw terminal
No. of pins	5 -pin

Pin	Pin assignment
	1
1	n.c.
	2
2	CAN low
	3
3	Shield
	4
4	CAN high
	5
5	n.c.

Circuit diagrams



Notes



Observe intended use!



- ↪ The product may only be put into operation by competent persons.
- ↪ Only use the product in accordance with its intended use.