

Technical data sheet Stationary 2D-code reader

Part no.: 50136784

DCR55M2/R2-150-M12.8

Contents

- Technical data
- Dimensioned drawings
- Electrical connection
- Diagrams
- Notes



Figure can vary



Technical data

Basic data

Series	DCR 55
--------	--------

Functions

Software functions	Reading of 1D codes
	Reading of 2D codes

Read data

Code types, readable	2/5 Hong Kong
	2/5 Interleaved
	2/5 NEC
	2/5 Straight
	Australian Post
	Aztec
	BC412
	Canada Post
	Codabar
	Codablock F
	Code 11
	Code 128
	Code 32
	Code 39
	Code 49
	Code 93
	Data Matrix Code
	EAN/UPC
	GS1 Databar
	HanXin
	Intelligent Mail
	Japan Post
	KIX Code
	Korea Post
	QR code

Optical data

Reading distance	30 ... 425 mm
LED group	Exempt group (in acc. with EN 62471:2008)
Camera resolution, horizontal	1,280 px
Camera resolution, vertical	960 px
Modulus size	0.127 ... 0.528 mm

Electrical data

Performance data

Supply voltage U_B	4.75 ... 5.25 V, DC
Current consumption, max.	425 mA

Inputs

Number of digital switching inputs	1 Piece(s)
------------------------------------	------------

Switching inputs

Digital switching input 1

Function	Reading gate
----------	--------------

Outputs

Number of digital switching outputs	1 Piece(s)
-------------------------------------	------------

Switching outputs

Voltage type	DC
--------------	----

Switching output 1

Switching element	Transistor, NPN
-------------------	-----------------

Interface

Type	RS 232
------	--------

RS 232

Function	Process
Transmission speed	9,600 ... 115,200 Bd
Data format	configurable

Connection

Number of connections	1 Piece(s)
-----------------------	------------

Connection 1

Function	Data interface
	Signal IN
	Signal OUT
	Voltage supply

Type of connection	Cable with connector
--------------------	----------------------

Cable length	150 mm
--------------	--------

Sheathing material	PUR
--------------------	-----

Cable color	Black
-------------	-------

Thread size	M12
-------------	-----

Type	Male
------	------

Material	Plastic
----------	---------

No. of pins	8 -pin
-------------	--------

Encoding	A-coded
----------	---------

Mechanical data

Design	Cubic
Dimension (W x H x L)	31.5 mm x 20 mm x 40.3 mm
Housing material	Metal
Metal housing	Diecast aluminum
Lens cover material	Plastic
Net weight	89 g
Housing color	Red
	Silver
Type of fastening	Mounting thread

Operation and display

Type of display	LED
Type of configuration	Software

Environmental data

Ambient temperature, operation	0 ... 50 °C
Ambient temperature, storage	-20 ... 60 °C
Relative humidity (non-condensing)	10 ... 90 %

Certifications

Degree of protection	IP 54
Certifications	c UL US
	FCC
	RoHS

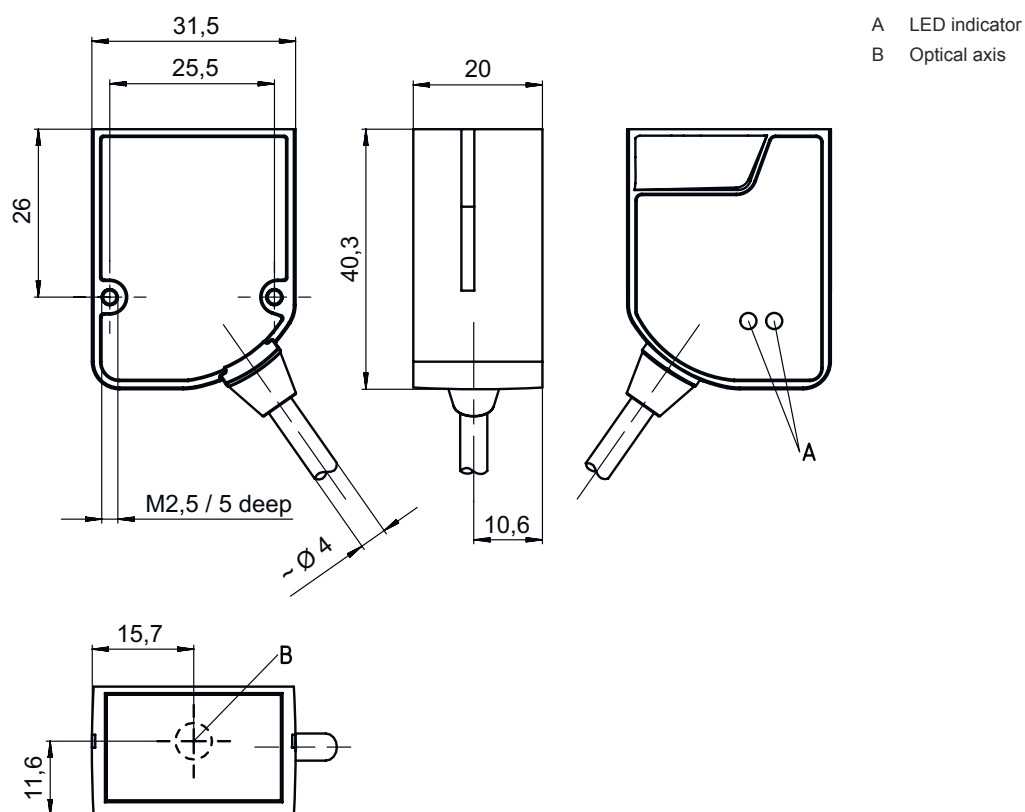
Test procedure for EMC in accordance with standard EN 61326-1

Technical data

Customs tariff number	84719000
eCl@ss 5.1.4	27280103
eCl@ss 8.0	27280103
eCl@ss 9.0	27280103
eCl@ss 10.0	27280103
eCl@ss 11.0	27280103
ETIM 5.0	EC002550
ETIM 6.0	EC002999
ETIM 7.0	EC002999

Dimensioned drawings

All dimensions in millimeters



Electrical connection

Connection 1

Function	Data interface
	Signal IN
	Signal OUT
	Voltage supply
Type of connection	Cable with connector
Cable length	150 mm
Sheathing material	PUR

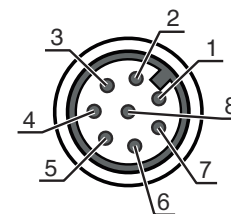
Electrical connection

Connection 1

Cable color	Black
Thread size	M12
Type	Male
Material	Plastic
No. of pins	8 -pin
Encoding	A-coded

Pin Pin assignment

1	V+
2	IN 1
3	GND
4	OUT 1
5	n.c.
6	RS 232 RxD
7	RS 232 TxD
8	FE/SHIELD



Diagrams

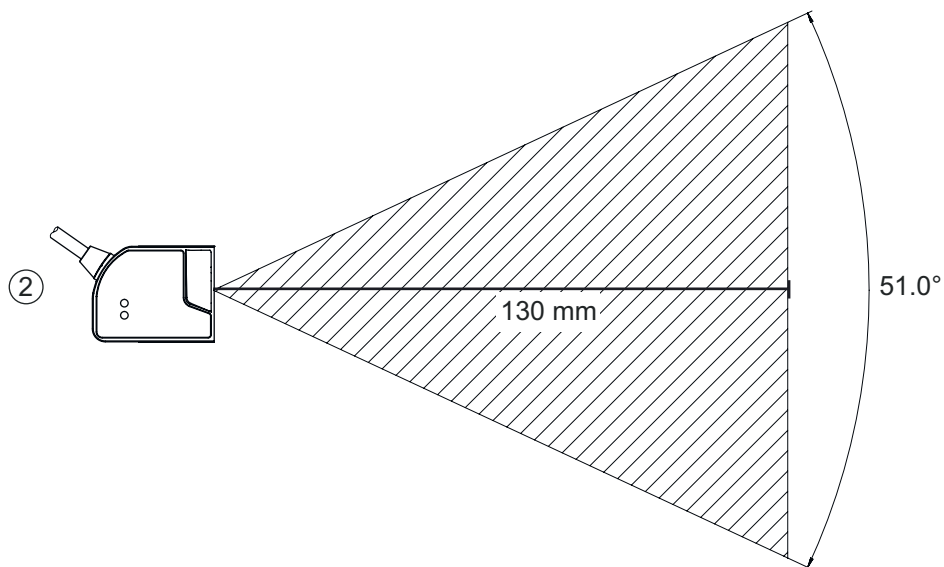
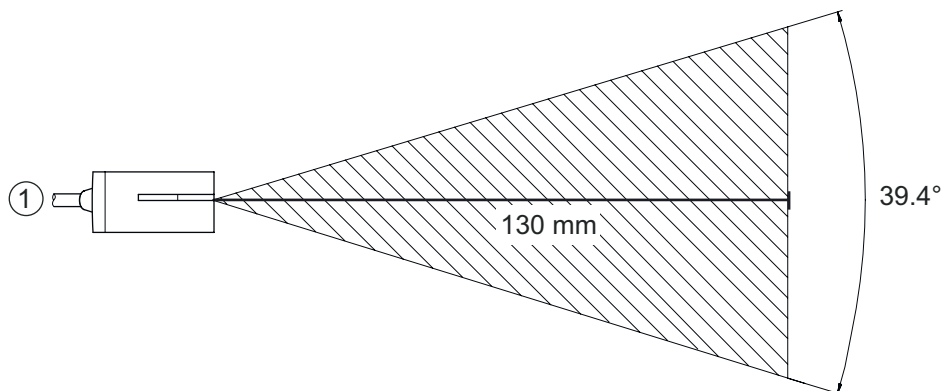
Reading distances

A	B	
Code 39 / 0,190mm (7,5mil)	50 (2,0)	245 (9,6)
GS1 Databar / 0,267mm (10,5mil)	35 (1,4)	225 (8,9)
UPC / 0,330mm (13mil)	40 (1,5)	370 (14,6)
PDF417 / 0,147mm (5,8mil)	85 (3,3)	155 (6,1)
PDF417 / 0,170mm (6,7mil)	65 (2,6)	175 (6,9)
Data Matrix / 0,127mm (5mil)	75 (3,0)	90 (3,5)
Data Matrix / 0,160mm (6,3mil)	70 (2,8)	135 (5,3)
Data Matrix / 0,254mm (10mil)	50 (2,0)	205 (8,1)
Data Matrix / 0,528mm (20,8mil)	30 (1,2)	425 (16,7)

- A Code type / resolution mm
- B Reading distance [mm] ([inch])



Diagrams

Reading field



- 1 Reading field, lateral
- 2 Reading field, top view

Notes

 Observe intended use!	
	<ul style="list-style-type: none">⚡ This product is not a safety sensor and is not intended as personnel protection.⚡ The product may only be put into operation by competent persons.⚡ Only use the product in accordance with its intended use.