

## Technical data sheet

### Deflecting mirror

Part no.: 529609

UM60-900

#### Contents

- Technical data
- Dimensioned drawings



Figure can vary

## Technical data

### Basic data

Series	UM
Type, columns and mirrors	Deflecting mirror

### Mechanical data

Dimension (W x H x L)	25 mm x 68 mm x 970 mm
Net weight	1,720 g
Housing color	Yellow, RAL 1021
Type of fastening	Groove mounting Swivel mount
Suitable for sensor	MLC 500, MLC 300 safety light curtains
Protected field height up to	900 mm
Mirror length	960 mm

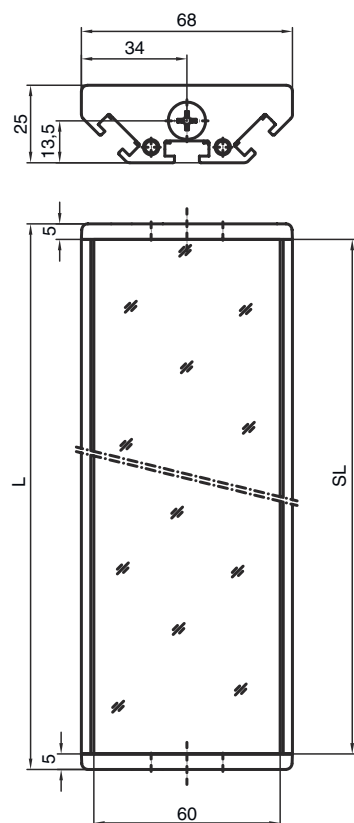
### Classification

Customs tariff number	70099200
eCl@ss 5.1.4	27279207
eCl@ss 8.0	27279207
eCl@ss 9.0	27273605
eCl@ss 10.0	27273605
eCl@ss 11.0	27273605
ETIM 5.0	EC002467
ETIM 6.0	EC002467
ETIM 7.0	EC002467

## Dimensioned drawings

All dimensions in millimeters

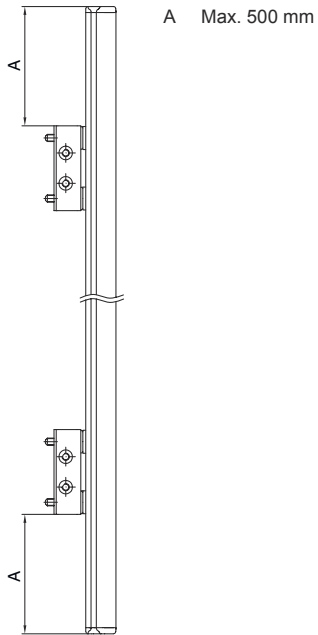
### Mirror



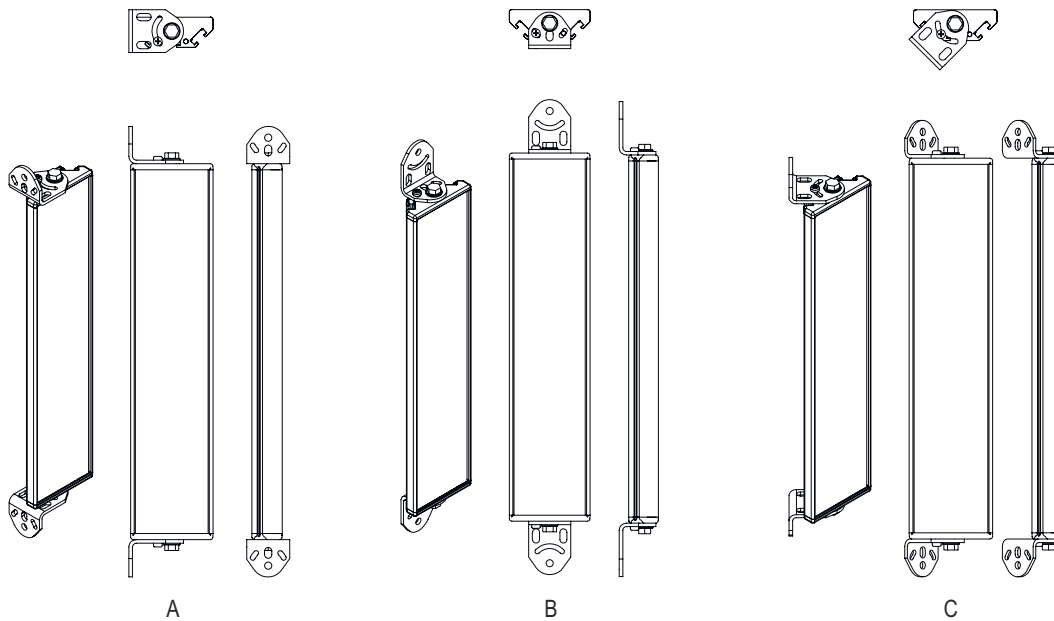
L Length = 970 mm  
SL Mirror length = 960 mm

## Dimensioned drawings

### Mounting distances



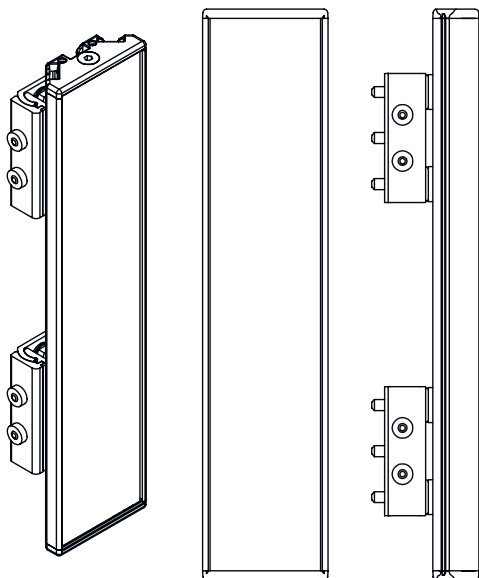
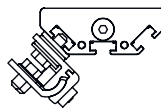
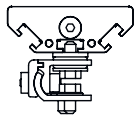
### Mounting with BT-UM60 standard bracket



- A Lateral
- B Rear side
- C Adjustable at an angle (0 - 90°)

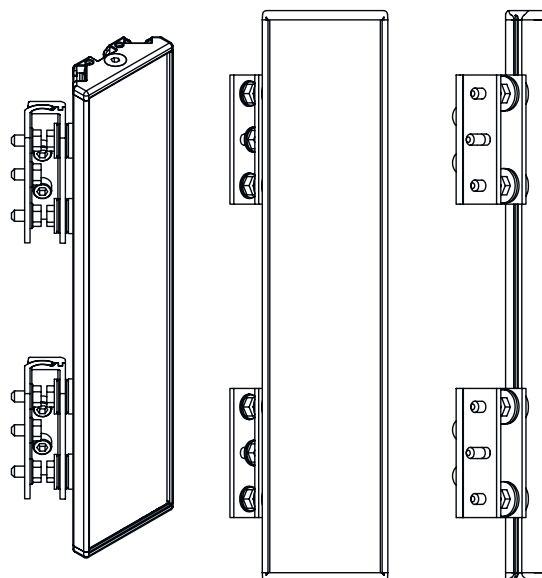
## Dimensioned drawings

Mounting with BT-UM60 standard bracket



A

A Rear side  
B Lateral 45°



B