

## Technical data sheet

### Distribution box

Part no.: 50130603

MD 7XXP-11-82IO5-K030

#### Contents

- Technical data
- Dimensioned drawings
- Electrical connection
- Circuit diagrams
- Operation and display
- Accessories



Figure can vary



## Technical data

### Electrical data

Switching signal	PNP
<b>Performance data</b>	
Total current	10 A
<b>Input data logic</b>	
Nominal input voltage $U_N$	24 V DC

### Connection

<b>Master connection</b>	
Type of connection	Cable
Function	Connection to the control
Cable length	3,000 mm

<b>Cable properties</b>	
Number of conductors	19 Piece(s)
Wire cross section	16 x 0.34 mm <sup>2</sup> 3 x 0.75 mm <sup>2</sup>
AWG	22
Sheathing color	Gray
Shielded	No
Silicone-free	No
Cable design	Connection cable (open on one end)
Cable diameter (external)	10 mm
Cable length	3,000 mm
Sheathing material	PUR / PVC
Wire insulation	PVC
Suitability for drag chains	Yes
Resistance of the outer sheathing	Hydrolysis and microbe resistant, good oil, gasoline and chemical resistance in accordance with VDE 0472 part 803 test B, flame retardant in accordance with UL 1581 VW1 / CSA FT1 / IEC 60332-1, IEC 60332-2-2

<b>Distribution box connections</b>	
Number of connections	8 Piece(s)
Thread size	M12
No. of pins	5 -pin
Encoding	A-coded
Type	Female
Material	Plastic
Material of O-ring seal	TPU
Material of contacts	Gold-plated
Operating current per contact	4 A

### Mechanical data

Design	Cubic
Dimension (W x H x L)	50 mm x 32 mm x 140 mm
Housing material	Plastic
Net weight	700 g
Screw tightening torque	1 N·m
Bending cycles	2,000,000 Piece(s)
Bending radius, flexible laying, min.	Min. 12 x cable diameter

### Operation and display

Type of display	LED
-----------------	-----

### Environmental data

Ambient temperature, operation	-5 ... 70 °C
--------------------------------	--------------

### Certifications

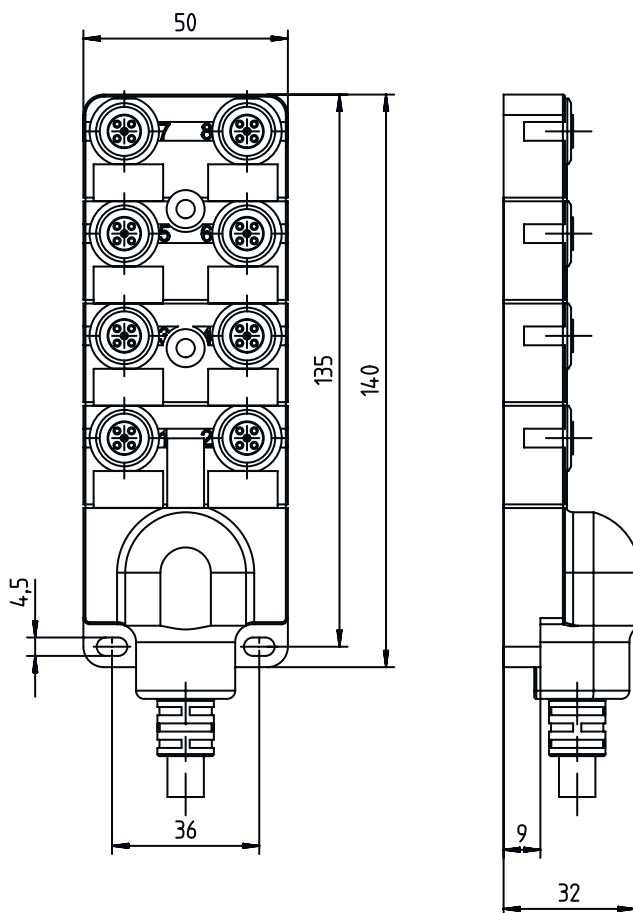
Degree of protection	IP 65 IP 67
Certifications	c UL US

### Classification

Customs tariff number	85444290
eCl@ss 5.1.4	27279201
eCl@ss 8.0	27279219
eCl@ss 9.0	27440108
eCl@ss 10.0	27440108
eCl@ss 11.0	27440108
ETIM 5.0	EC002585
ETIM 6.0	EC002585
ETIM 7.0	EC002585

# Dimensioned drawings

All dimensions in millimeters



## Electrical connection

### Connection 1

Type of connection	Cable
<b>Conductor color</b>	<b>Conductor assignment</b>
Brown	+
Blue	-
GrayPink	Socket 1 / contact 2
White	Socket 1 / contact 4
BlueRed	Socket 2 / contact 2
Green	Socket 2 / contact 4
GreenWhite	Socket 3 / contact 2
Yellow	Socket 3 / contact 4
BrownGreen	Socket 4 / contact 2
Gray	Socket 4 / contact 4
WhiteYellow	Socket 5 / contact 2
Pink	Socket 5 / contact 4
BrownYellow	Socket 6 / contact 2

# Electrical connection

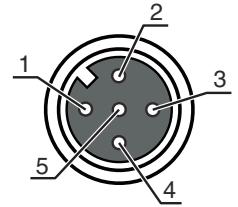
**Conductor color**

**Conductor assignment**

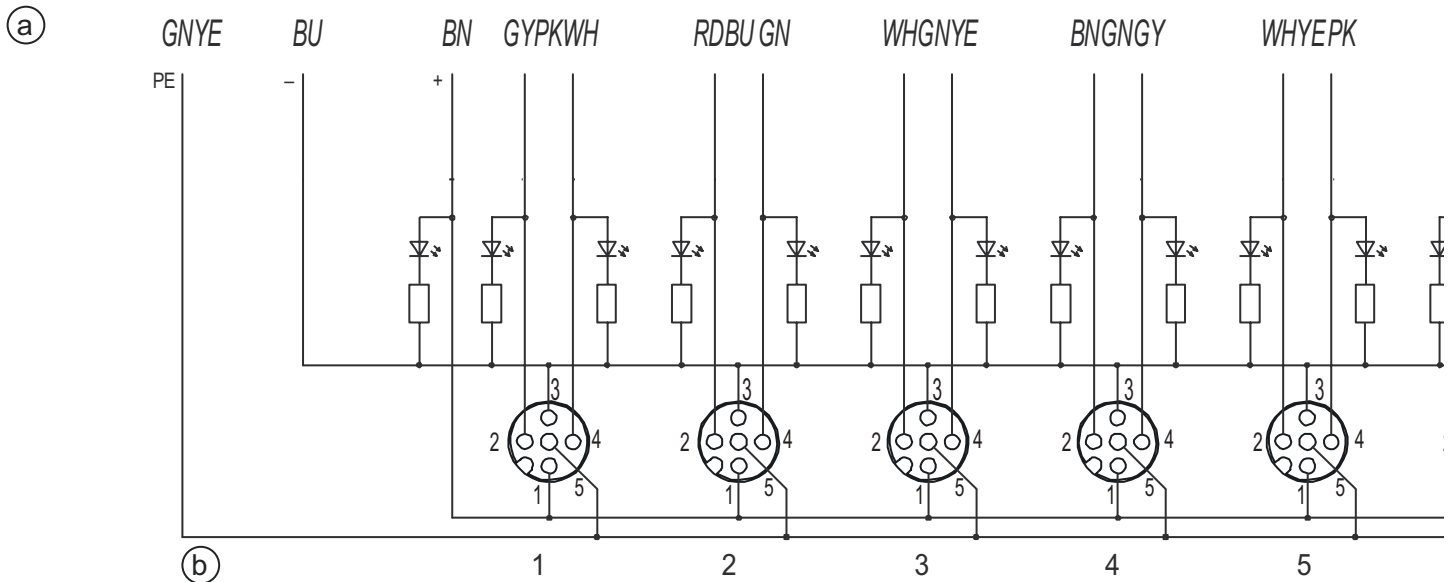
Red	Socket 6 / contact 4
GrayWhite	Socket 7 / contact 2
Black	Socket 7 / contact 4
BrownGray	Socket 8 / contact 2
Violet	Socket 8 / contact 4
GreenYellow	PE

**Pin Pin assignment**

1	+
2	Signal 2 (NC)
3	-
4	Signal 1 (NO)
5	PE



## Circuit diagrams




a Cable  
b Socket

NOTE M12 socket, 4-pin: contact 2 not connected

## Operation and display

LED	Display	Meaning
1	Green, continuous light	Operating voltage applied
2	Yellow, continuous light	Signal 1
3	White, continuous light	Signal 2

**Accessories****General**

	<b>Part no.</b>	<b>Designation</b>	<b>Article</b>	<b>Description</b>
	50134480	CAP M12K-Set	Connection cap	Type: Cap for free sockets Thread size: M12 Material: Plastic

**Note**

↗ A list with all available accessories can be found on the Leuze website in the Download tab of the article detailed page.