

Technical data sheet

Deflecting mirror

Part no.: 50106831

US 60-450 W

Contents

- Technical data
- Dimensioned drawings
- Accessories



Figure can vary

Technical data

Basic data

Contains	2x M6 sliding block
Type, columns and mirrors	Surface deflecting mirror

Mechanical data

Dimension (W x H x L)	25 mm x 68 mm x 520 mm
Net weight	1,000 g
Housing color	Yellow, RAL 1021
Type of fastening	Groove mounting Swivel mount
Suitable for sensor	Stationary bar code readers
Mirror length	510 mm
Mirror width	60 mm

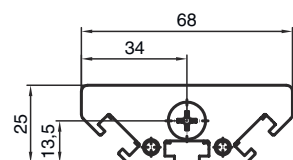
Classification

Customs tariff number	70099200
eCl@ss 5.1.4	27279207
eCl@ss 8.0	27279207
eCl@ss 9.0	27273605
eCl@ss 10.0	27273605
eCl@ss 11.0	27273605
ETIM 5.0	EC002467
ETIM 6.0	EC002467
ETIM 7.0	EC002467

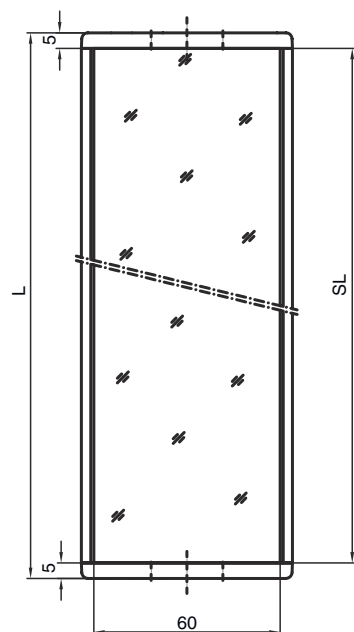
Dimensioned drawings

All dimensions in millimeters

Mirror

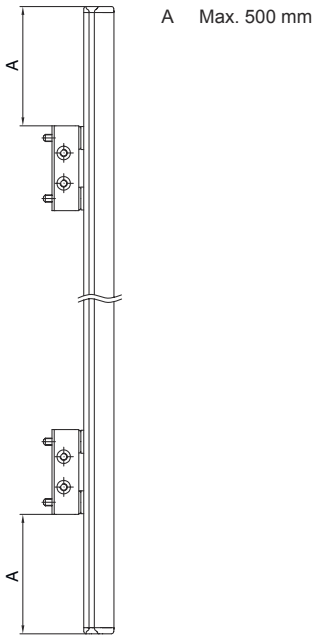


L Length = 520 mm
SL Mirror length = 510 mm

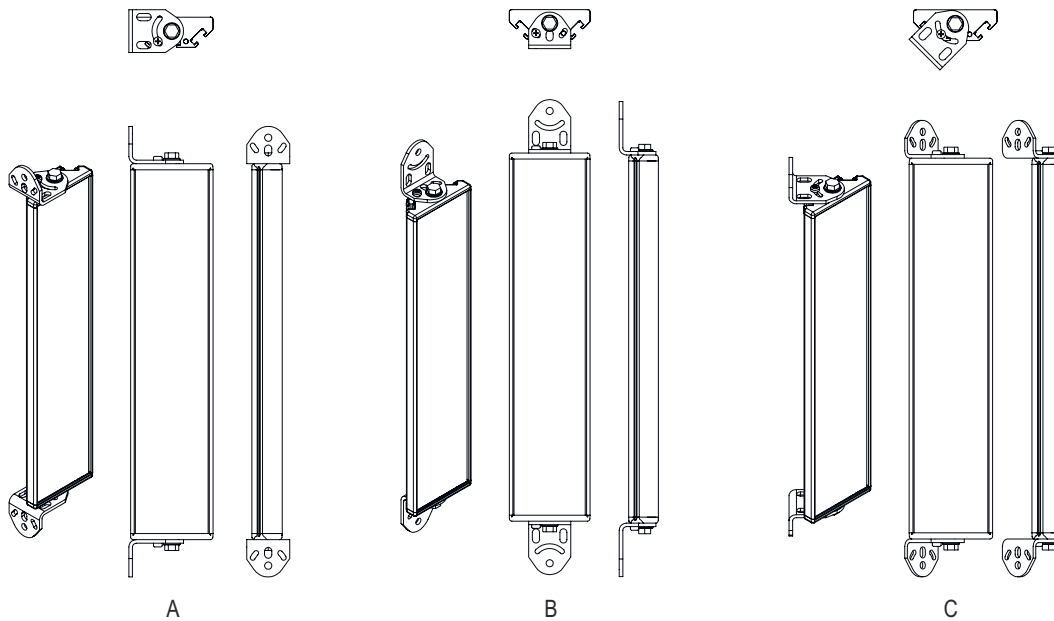


Dimensioned drawings

Mounting distances



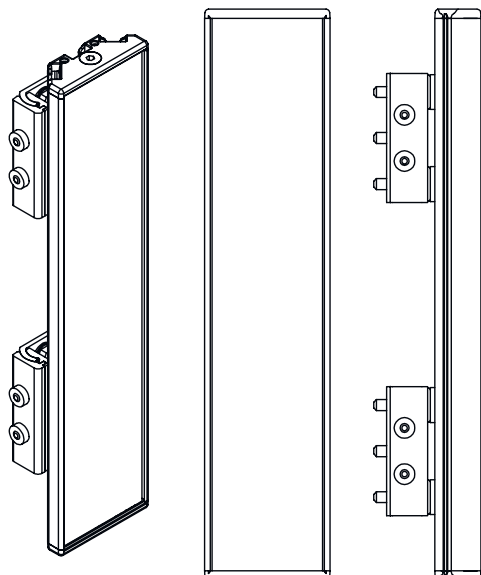
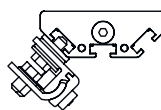
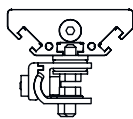
Mounting with BT-2UM60 standard bracket



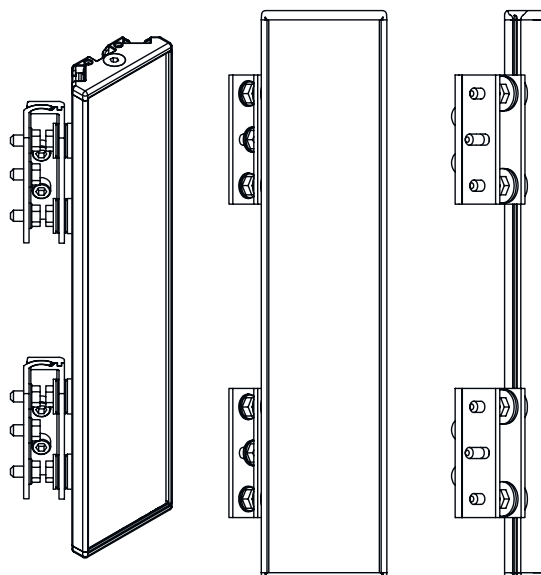
- A Lateral
- B Rear side
- C Adjustable at an angle (0 - 90°)

Dimensioned drawings

Mounting with BT-2UM60 standard bracket



A





B

- A Rear side
- B Lateral 45°

Accessories

Mounting technology - Swivel mounts

	Part no.	Designation	Article	Description
	424422	BT-2SB10	Mounting bracket set	Design of mounting device: Mounting clamp Fastening, at system: Through-hole mounting Mounting bracket, at device: Clampable, On the lateral C-groove Type of mounting device: Swiveling Swivel range: -8 ... 8 ° Material: Metal
	430105	BT-2UM60	Mounting bracket	Fastening, at system: Through-hole mounting Mounting bracket, at device: Screw type Material: Metal

Accessories

Note



🔗 A list with all available accessories can be found on the Leuze website in the Download tab of the article detailed page.