

Technical data sheet

Distribution box

Part no.: 50130596

MD 7XXP-11-48IO3-K100

Contents

- Technical data
- Dimensioned drawings
- Electrical connection
- Circuit diagrams
- Operation and display
- Accessories



Figure can vary



Technical data

Electrical data

Switching signal	PNP
------------------	-----

Performance data

Total current	10 A
---------------	------

Input data logic

Nominal input voltage U_N	24 V DC
-----------------------------	---------

Connection

Master connection

Type of connection	Cable
Function	Connection to the control
Cable length	10,000 mm

Cable properties

Number of conductors	3 Piece(s)
Wire cross section	2 x 0.75 mm ² 8 x 0.34 mm ²
AWG	22
Sheathing color	Gray
Shielded	No
Silicone-free	No
Cable design	Connection cable (open on one end)
Cable diameter (external)	8.6 mm
Cable length	10,000 mm
Sheathing material	PUR
Wire insulation	PVC
Suitability for drag chains	Yes
Traversal rate	Max. 2m/s with horiz. traverse path of 5m and max. acceleration of 10m/s ²
Resistance of the outer sheathing	Hydrolysis and microbe resistant, good oil, gasoline and chemical resistance in accordance with VDE 0472 part 803 test B, flame retardant in accordance with UL 1581 VW1 / CSA FT1 / IEC 60332-1, IEC 60332-2-2

Distribution box connections

Number of connections	4 Piece(s)
Thread size	M8
No. of pins	3 -pin
Encoding	A-coded
Type	Female
Material	Plastic
Material of O-ring seal	TPU
Material of contacts	Gold-plated
Operating current per contact	2 A

Mechanical data

Design	Cubic
Dimension (W x H x L)	30 mm x 35 mm x 96 mm
Housing material	Plastic
Net weight	887 g
Screw tightening torque	0 N·m
Bending cycles	2,000,000 Piece(s)
Bending radius, flexible laying, min.	Min. 12 x cable diameter

Operation and display

Type of display	LED
-----------------	-----

Environmental data

Ambient temperature, operation	-5 ... 70 °C
--------------------------------	--------------

Certifications

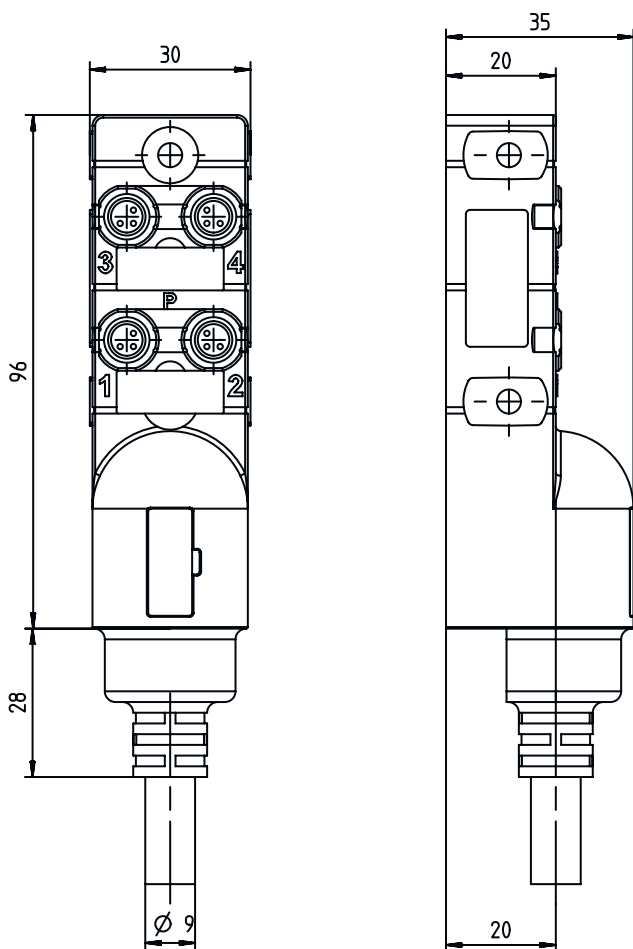
Degree of protection	IP 65 IP 67
Certifications	c UL US

Classification

Customs tariff number	85444290
eCl@ss 5.1.4	27279201
eCl@ss 8.0	27279219
eCl@ss 9.0	27440108
eCl@ss 10.0	27440108
eCl@ss 11.0	27440108
ETIM 5.0	EC002585
ETIM 6.0	EC002585
ETIM 7.0	EC002585

Dimensioned drawings

All dimensions in millimeters

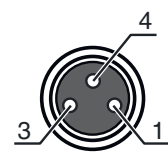


Electrical connection

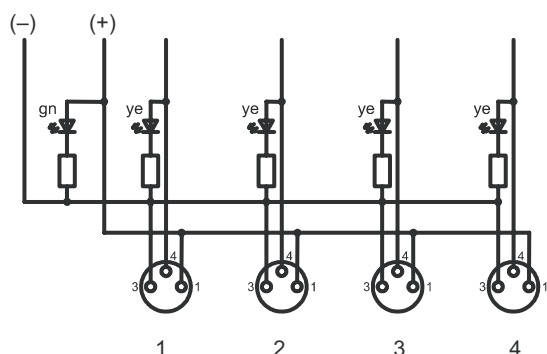
Connection 1

Type of connection	Cable
Number of conductors	3 -wire

Conductor color	Conductor assignment
Brown	+
Blue	-
White	S1



Circuit diagrams



Operation and display

LED	Display	Meaning
1	Green, continuous light	Operating voltage applied
2	Yellow, continuous light	Signal 1
3	White, continuous light	Signal 2

Accessories

Connection technology - Interconnection cables

Part no.	Designation	Article	Description
50134904	KDS U-M8-4A-M8-3A-P1-000	Adapter	Connection 1: Connector, M8, Axial, Female, 4 -pin Connection 2: Connector, M8, Axial, Male, 3 -pin



General

Part no.	Designation	Article	Description
50134479	CAP M8K-Set	Connection cap	Type: Cap for free sockets Thread size: M8 Material: Plastic



Note



A list with all available accessories can be found on the Leuze website in the Download tab of the article detailed page.