

## Technical data sheet Signaling column element

Part no.: 50138247

A7-V1-DB-O-T

### Contents

- Technical data
- Dimensioned drawings
- Notes



Figure can vary



## Technical data

### Basic data

Series	A7
Suitable for	Signaling column elements of the A7 – Advanced Series
Type of signaling	Optical

### Electrical data

Life expectancy	> 100,000 h
<b>Performance data</b>	
Supply voltage $U_B$	24 V, DC, 10 %
Current consumption, max.	50 mA

### Connection

Notes	Protected against accidental interchanges: Actuation of the colors is performed via PINS, thus, the calotte position can be freely selected (see operating instructions). The individual colors are actuated via VCC (PNP)
-------	---

### Mechanical data

Design	Cylindrical
Dimension ( $\varnothing$ x L)	70 mm x 50 mm
Housing material	Plastic
Net weight	109 g
Type of fastening	Bayonet system
Type of illuminant	LED/24V
Signal image	Flashing light
Lens color	Orange
Angle of radiation	360°

### Environmental data

Ambient temperature, operation	-10 ... 60 °C
--------------------------------	---------------

### Certifications

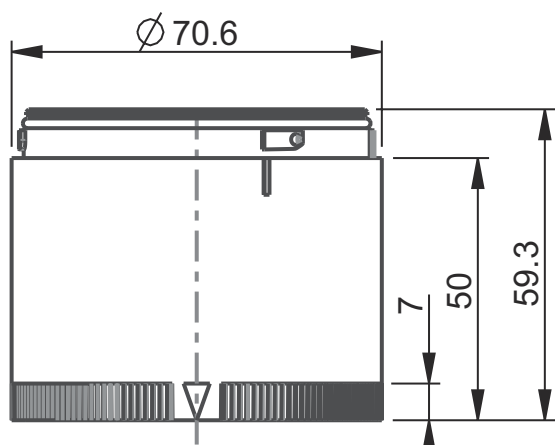
Degree of protection	IP 66
Certifications	CE CSA

### Classification

Customs tariff number	85318070
eCl@ss 5.1.4	27371220
eCl@ss 8.0	27371220
eCl@ss 9.0	27371220
eCl@ss 10.0	27371220
eCl@ss 11.0	27371220
ETIM 5.0	EC000232
ETIM 6.0	EC000232
ETIM 7.0	EC000232

## Dimensioned drawings

All dimensions in millimeters



## Notes



### Observe intended use!



- ⌘ This product is not a safety sensor and is not intended as personnel protection.
- ⌘ The product may only be put into operation by competent persons.
- ⌘ Only use the product in accordance with its intended use.