

Technical data sheet Safety position switch

Part no.: 63000307

S300-P13C1-M12-CB

Contents

- Technical data
- Dimensioned drawings
- Electrical connection
- Circuit diagrams
- Notes



Figure can vary



Technical data

Basic data

| | |
|--------|------|
| Series | S300 |
|--------|------|

Functions

| | |
|-----------|--|
| Functions | Integration in control circuits up to category 4 in accordance with EN ISO 13849-1 |
| | Locking device without guard interlocking according to EN ISO 14119 |

Characteristic parameters

| | |
|--------------------|-----------------------------|
| Mission time T_M | 20 years, EN ISO 13849-1 |
| $B10_d$ | 40,000,000 number of cycles |

Electrical data

| | |
|-------------------------|----------------------------------|
| Usage category at DC 13 | Ue 24 V, Ie 2 A, EN 60947-5-1 |
| Usage category at AC 15 | Ue 24 V, Ie 2 A, EN 60947-5-1 |
| Contact allocation | 2NC + 1NO |
| Contact opening | Force-fit |
| Short circuit protected | 500 V, 2 A, type gG, IEC 60269-1 |
| Contact protection | Protective insulation O |

Performance data

| | |
|------------------------------------|------------------|
| Rated insulation voltage | 30 V AC, 36 V DC |
| Conventional thermal current, max. | 2 A |

Connection

| | |
|-----------------------|------------|
| Number of connections | 1 Piece(s) |
|-----------------------|------------|

Connection 1

| | |
|--------------------|--------------------|
| Function | Contact connection |
| Type of connection | Connector |
| Thread size | M12 |
| Material | Plastic |
| No. of pins | 8 -pin |

Mechanical data

| | |
|-------------------------------|---|
| Design | Cubic |
| Dimension (W x H x L) | 40 mm x 39 mm x 97 mm |
| Housing material | Plastic |
| Plastic housing | Glass fiber reinforced (PPS), self-extinguishing |
| Electrical contact material | Silver alloy |
| Net weight | 155 g |
| Housing color | Black |
| Type of fastening | Through-hole mounting |
| Switch type | Interlock device without guard interlocking, ISO 14119 |
| Switching principle | Slow-action contact |
| Switching direction | Both sides |
| | One side |
| Approach actuation directions | 360° |
| | 4 x side (90°) |
| Approach speed | Depending on actuator used |
| Mechanical life time | 20,000,000 actuation cycles, IEC 60947-5-1 switching cycles |
| Actuation frequency, max. | 3,600 per hour, IEC 60947-5-1 |
| Actuator mount | Short |

Environmental data

| | |
|--------------------------------|---------------|
| Ambient temperature, operation | -25 ... 80 °C |
| Degree of contamination | 3, EN 60947-1 |

Certifications

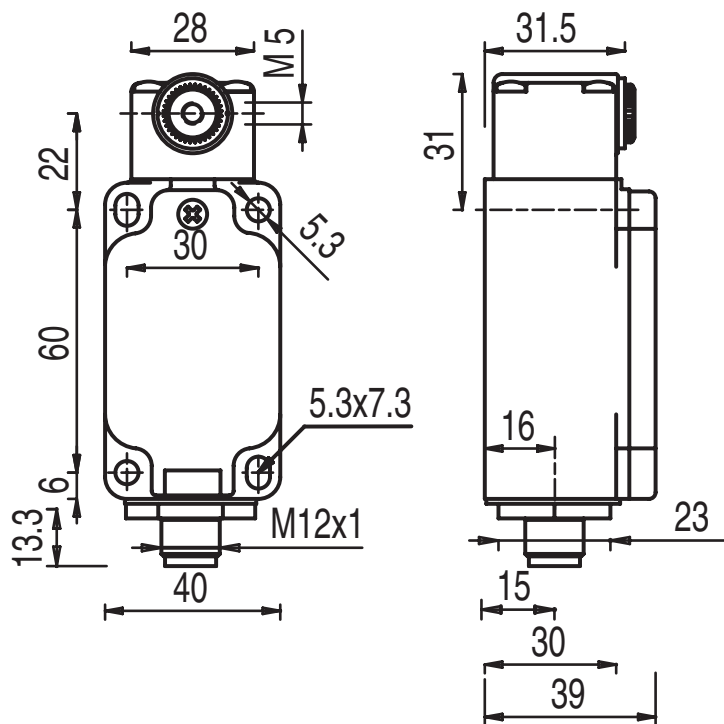
| | |
|----------------------|---------|
| Degree of protection | IP 67 |
| Certifications | c UL US |
| | IMQ |

Classification

| | |
|-----------------------|----------|
| Customs tariff number | 85369095 |
| eCl@ss 5.1.4 | 27272601 |
| eCl@ss 8.0 | 27272601 |
| eCl@ss 9.0 | 27272601 |
| eCl@ss 10.0 | 27272601 |
| eCl@ss 11.0 | 27272601 |
| ETIM 5.0 | EC000030 |
| ETIM 6.0 | EC000030 |
| ETIM 7.0 | EC000030 |

Dimensioned drawings

All dimensions in millimeters



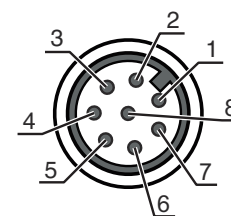
Electrical connection

Connection 1

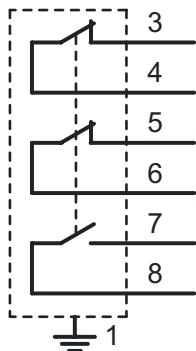
| | |
|--------------------|--------------------|
| Function | Contact connection |
| Type of connection | Connector |
| Thread size | M12 |
| Type | Male |
| Material | Plastic |
| No. of pins | 8 -pin |
| Encoding | A-coded |

Pin Pin assignment

| Pin | Pin assignment |
|-----|----------------|
| 1 | n.c. |
| 2 | n.c. |
| 3 | NC(1) |
| 4 | NC(1) |
| 5 | NC(2) |
| 6 | NC(2) |
| 7 | NO(1) |
| 8 | NO(1) |



Circuit diagrams



Notes



Observe intended use!



- ⚠ The product may only be put into operation by competent persons.
- ⚠ Only use the product in accordance with its intended use.