

Technical data sheet Signaling column element

Part no.: 50135457

A7-V1-DS-R-T

Contents

- Technical data
- Dimensioned drawings
- Notes
- Accessories



Figure can vary



Technical data

Basic data

Series	A7
Suitable for	Signaling column elements of the A7 – Advanced Series
Type of signaling	Optical

Electrical data

Life expectancy	> 100,000 h
Performance data	
Supply voltage U_B	24 V, DC, 10 %
Current consumption, max.	50 mA

Connection

Notes	Protected against accidental interchanges: Actuation of the colors is performed via PINS, thus, the calotte position can be freely selected (see operating instructions). The individual colors are actuated via VCC (PNP)
-------	-------------------------------------------------------------------------------------------------------------------------------------------------------------------------------------------------------------------------------

Mechanical data

Design	Cylindrical
Dimension (\varnothing x L)	70 mm x 50 mm
Housing material	Plastic
Net weight	109 g
Type of fastening	Bayonet system
Type of illuminant	LED/24V
Signal image	Continuous light
Lens color	Red
Angle of radiation	360°

Environmental data

Ambient temperature, operation	-10 ... 60 °C
--------------------------------	---------------

Certifications

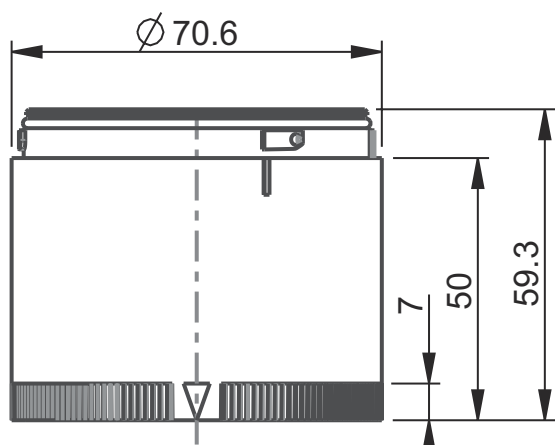
Degree of protection	IP 66
Certifications	CE CSA

Classification



Customs tariff number	85318070
eCl@ss 5.1.4	27371220
eCl@ss 8.0	27371220
eCl@ss 9.0	27371220
eCl@ss 10.0	27371220
eCl@ss 11.0	27371220
ETIM 5.0	EC000232
ETIM 6.0	EC000232
ETIM 7.0	EC000232

Dimensioned drawings

All dimensions in millimeters





Notes

 Observe intended use!	
	<ul style="list-style-type: none"> ⌘ This product is not a safety sensor and is not intended as personnel protection. ⌘ The product may only be put into operation by competent persons. ⌘ Only use the product in accordance with its intended use.

Accessories

Mounting

	Part no.	Designation	Article	Description
	50135463	A7-MP1-100	Signaling column element	Connection: Terminal, Tension spring technology Design: Cylindrical Diameter: 70 mm Version: Base mounting Fastening, at system: Screw type / horizontal Module holder: One side Ambient temperature: -10 ... 60 °C Degree of protection: IP 66

Note	
	<ul style="list-style-type: none"> ⌘ A list with all available accessories can be found on the Leuze website in the Download tab of the article detailed page.