

Technical data sheet Mounting bracket set

Part no.: 560342

BT-SET-240BCS

Contents

- Technical data
- Dimensioned drawings



Figure can vary

Technical data

Basic data

| | |
|--------------|---|
| Suitable for | MLD 500, MLD 300 multiple light beam safety devices |
|--------------|---|

Mechanical data

| | |
|------------------------------|-----------------------|
| Type of fastening, at system | Through-hole mounting |
| Type of fastening, at device | Clampable |
| Type of mounting device | Shock absorber |
| | Turning, 240° |
| Mounting device material | Metal |

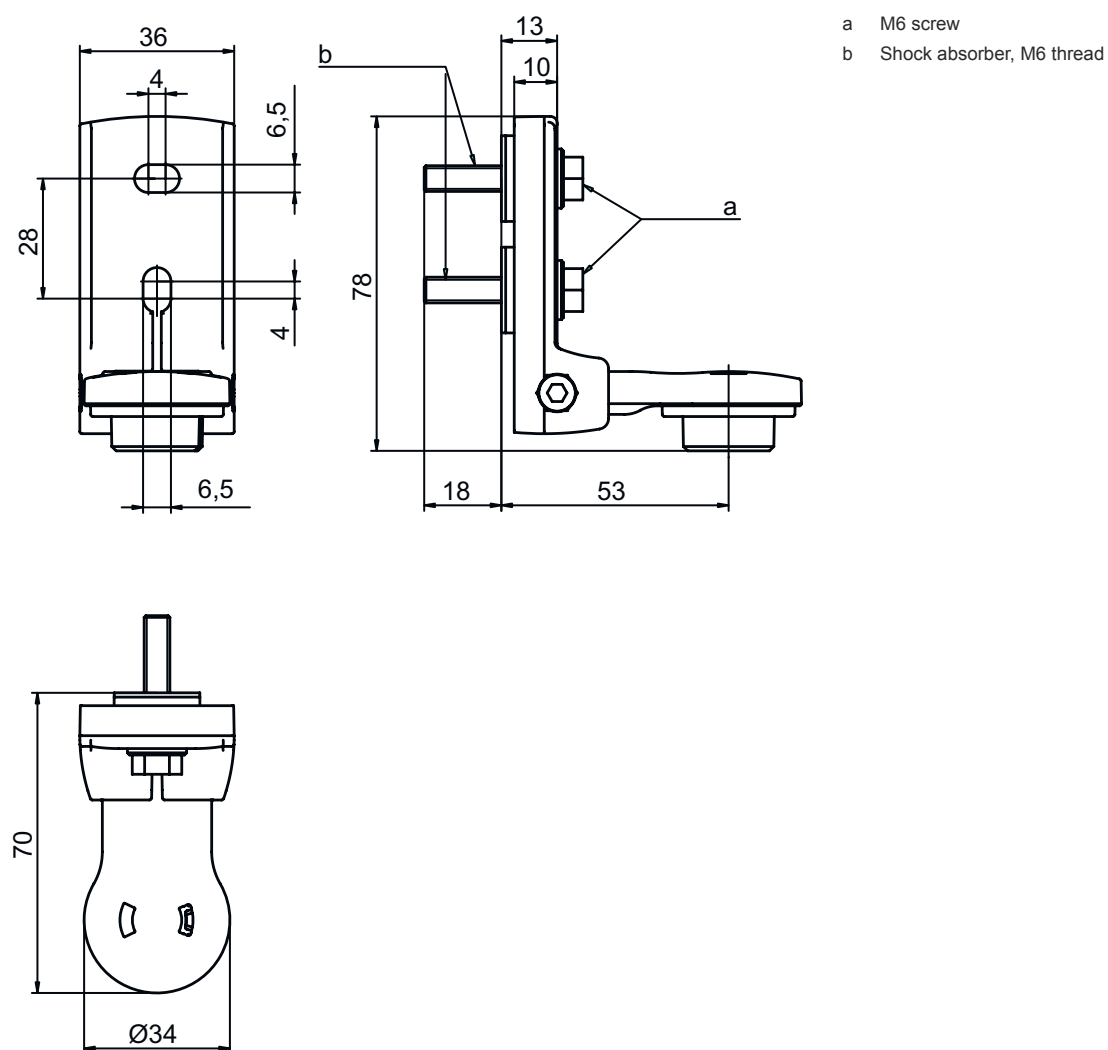
Classification

| | |
|-----------------------|----------|
| Customs tariff number | 73269098 |
| eCl@ss 5.1.4 | 27279202 |
| eCl@ss 8.0 | 27279202 |
| eCl@ss 9.0 | 27273701 |
| eCl@ss 10.0 | 27273701 |
| eCl@ss 11.0 | 27273701 |
| ETIM 5.0 | EC002498 |
| ETIM 6.0 | EC003015 |
| ETIM 7.0 | EC003015 |

Dimensioned drawings

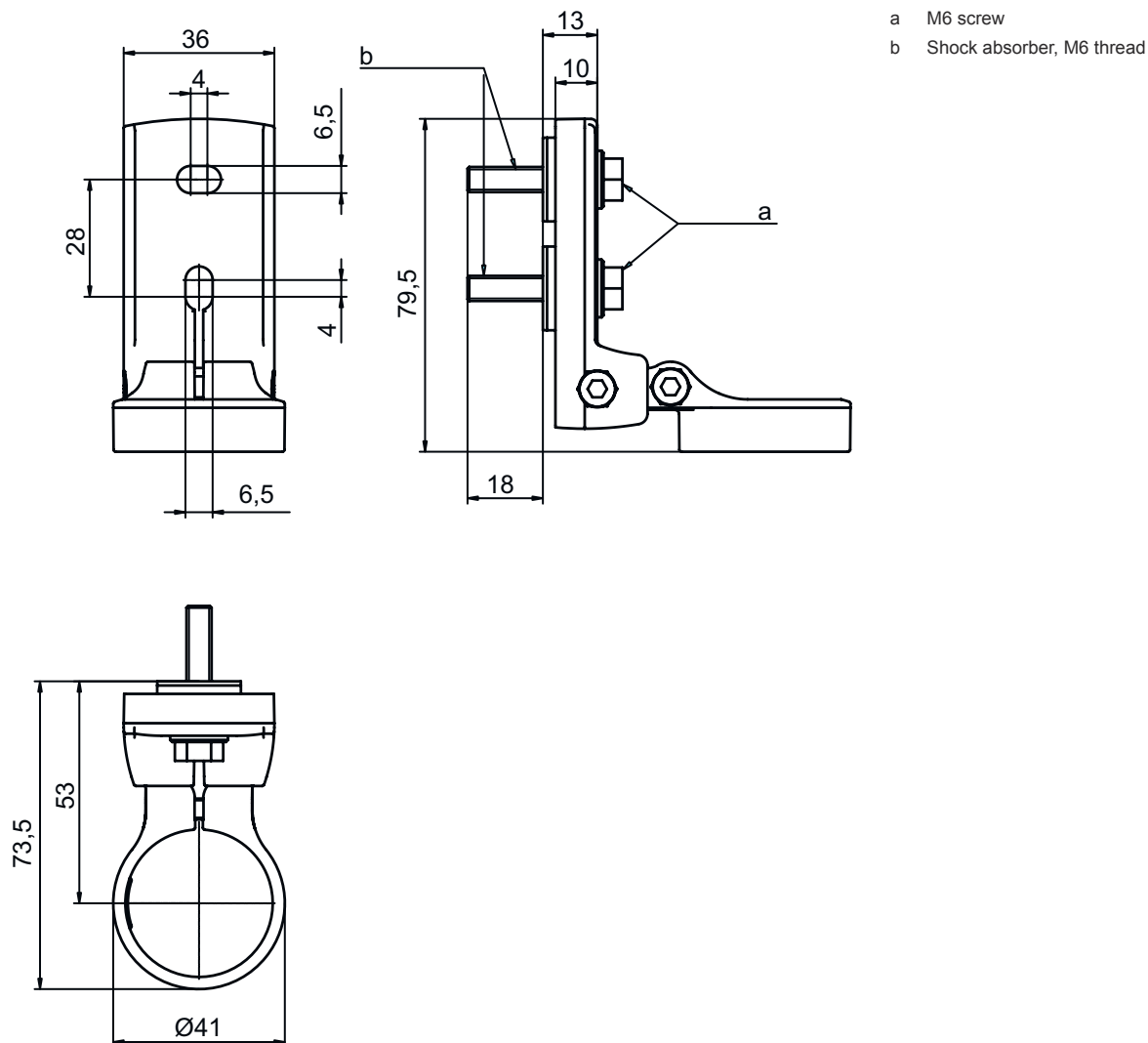
All dimensions in millimeters

BT-SET-240BS swivel mount



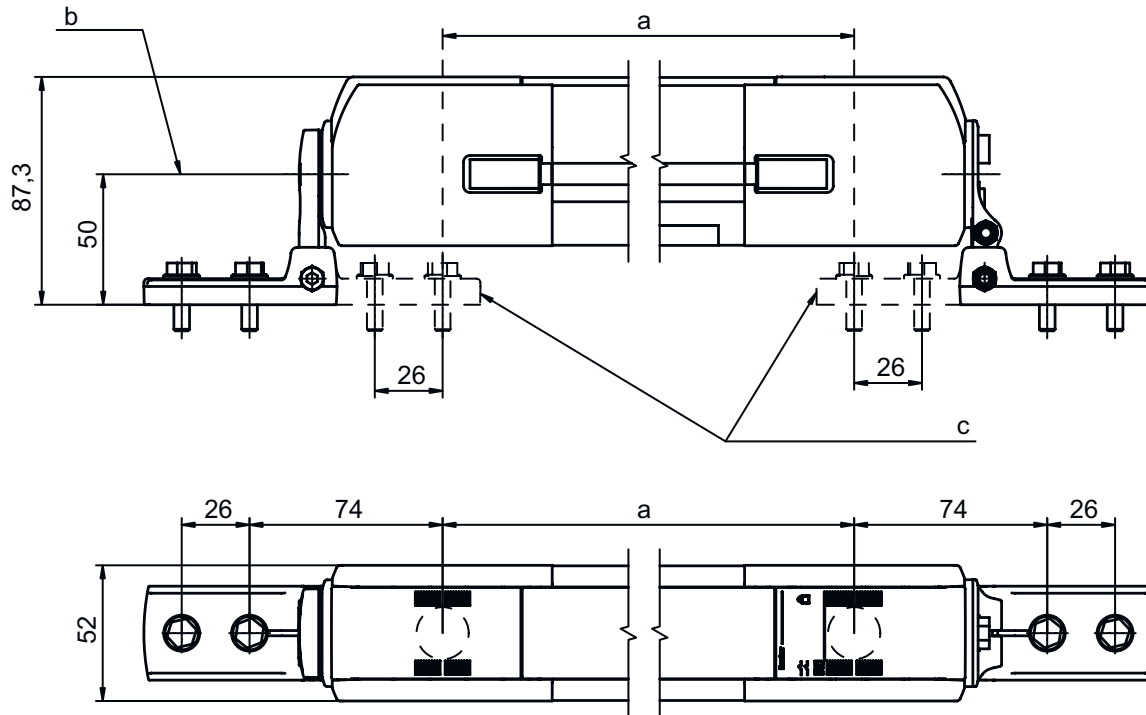
Dimensioned drawings

BT-SET-240CS swivel mount



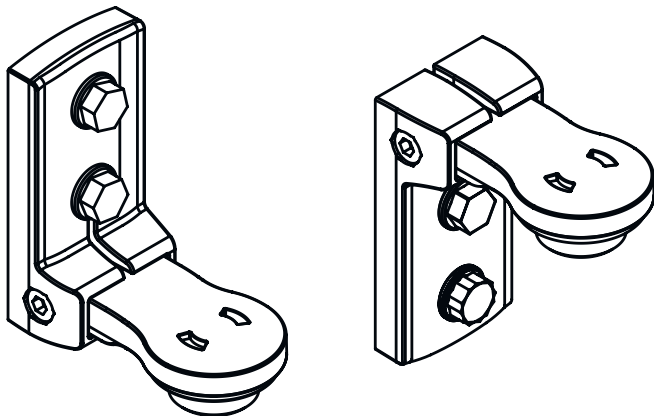
Dimensioned drawings

Mounting dimensions



- a Beam spacing
- b Swivel axis
- c Alternative mounting variant

Mounting dimensions



Dimensioned drawings

Mounting variants

