

Technical data sheet

Safety hinge switch

Part no.: 63000402

S400-M4CB2-T

Contents

- Technical data
- Dimensioned drawings
- Electrical connection
- Circuit diagrams
- Notes



Figure can vary



Technical data

Basic data

| | |
|--------|------|
| Series | S400 |
|--------|------|

Functions

| | |
|-----------|---|
| Functions | Integration in control circuits up to category 4 in accordance with EN ISO 13849-1 Locking device without guard interlocking according to EN ISO 14119 Mechanical hinge with integrated safety switch |
|-----------|---|

Characteristic parameters

| | |
|--------------------|----------------------------|
| Mission time T_M | 20 years, EN ISO 13849-1 |
| $B10_d$ | 2,000,000 number of cycles |

Electrical data

| | |
|-------------------------|----------------------------------|
| Usage category at DC 13 | Ue 24 V, Ie 2 A, EN 60947-5-1 |
| Usage category at AC 15 | Ue 24 V, Ie 2 A, EN 60947-5-1 |
| Contact allocation | 2NC + 1NO |
| Contact opening | Force-fit |
| Short circuit protected | 500 V, 2 A, type gG, IEC 60269-1 |

Performance data

| | |
|------------------------------------|------------------|
| Rated insulation voltage | 30 V AC, 36 V DC |
| Conventional thermal current, max. | 2 A |

Connection

| | |
|-----------------------|------------|
| Number of connections | 1 Piece(s) |
|-----------------------|------------|

Connection 1

| | |
|----------------------|--------------------|
| Function | Contact connection |
| Type of connection | Cable |
| Cable length | 2,000 mm |
| Sheathing material | PVC |
| Number of conductors | 7 -wire |

Mechanical data

| | |
|---|--|
| Design | Cubic |
| Dimension (W x H x L) | 49 mm x 22.5 mm x 100.6 mm |
| Housing material | Metal |
| Metal housing | ZAMAK |
| Electrical contact material | Silver alloy |
| Net weight | 481 g |
| Housing color | Silver |
| Type of fastening | Mounting plate Mounting thread |
| Side of cable entry | From above (with left installation) |
| Switch type | Interlock device without guard interlocking, ISO 14119 |
| Switching principle | Slow-action contact |
| Axial stress | 1,500 N·m |
| Radial stress | 1,000 N·m |
| Torsional stress | 25 N·m |
| Mechanical life time | 1,000,000 actuation cycles, IEC 6047-5-1 |
| Actuation frequency, max. | 1,200 per hour, IEC 6047-5-1 |
| Internal actuator | Safety switch in hinge, encapsulated |
| Actuating path (angle) with forced separation | 4 N |
| Actuation angle, max. | 180 ° |
| Actuating path (angle) with forced separation | From set switching point |

Environmental data

| | |
|--------------------------------|---------------|
| Ambient temperature, operation | -25 ... 80 °C |
| Degree of contamination | 3, EN 60947-1 |

Certifications

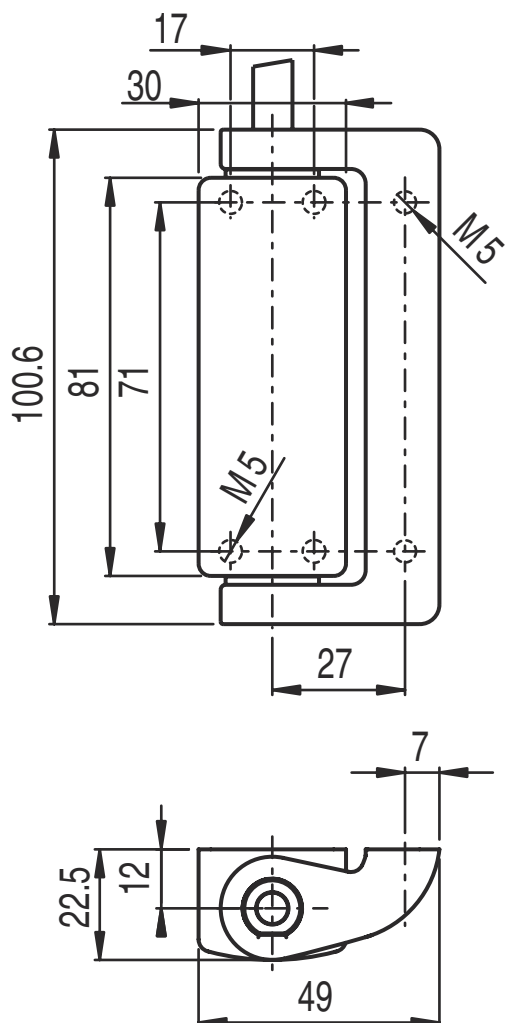
| | |
|----------------------|-----------------|
| Degree of protection | IP 67 IP 69K |
| Certifications | c UL US IMQ |

Classification

| | |
|-----------------------|----------|
| Customs tariff number | 85369095 |
| eCl@ss 5.1.4 | 27272690 |
| eCl@ss 8.0 | 27270609 |
| eCl@ss 9.0 | 27270609 |
| eCl@ss 10.0 | 27270609 |
| eCl@ss 11.0 | 27270609 |
| ETIM 5.0 | EC002591 |
| ETIM 6.0 | EC002591 |
| ETIM 7.0 | EC002591 |

Dimensioned drawings

All dimensions in millimeters



Electrical connection

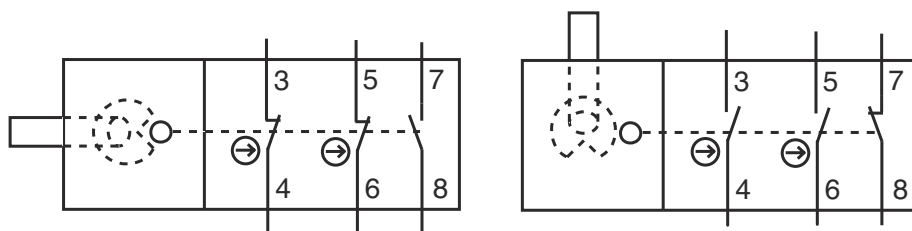
Connection 1

| | |
|----------------------|---------------------|
| Function | Contact connection |
| Type of connection | Cable |
| Cable length | 2,000 mm |
| Sheathing material | PVC |
| Cable color | Black |
| Number of conductors | 7 -wire |
| Wire cross section | 0.5 mm ² |

Electrical connection

| Conductor color | Conductor assignment |
|-----------------|----------------------|
| GreenYellow | GND |
| Black | NC(1) |
| BlackWhite | NC(1) |
| Red | NC(2) |
| RedWhite | NC(2) |
| Brown | NO(1) |
| Blue | NO(1) |

Circuit diagrams



- | | |
|---------------|-------------|
| 3 Black | 6 Red-white |
| 4 Black-white | 7 Brown |
| 5 Red | 8 Blue |

Notes



Observe intended use!



- ↪ The product may only be put into operation by competent persons.
- ↪ Only use the product in accordance with its intended use.