

**BCL500i and BCL501i**  
Barcode Readers



GB 02-10/08 50108325



The main menus



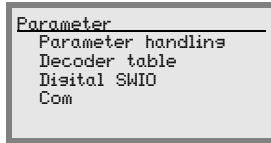
Device information - main menu

- Information about
- Device type
  - Software version
  - Hardware version
  - Serial number



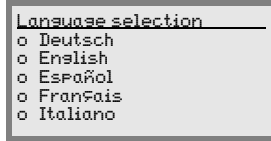
Barcode reading window - main menu

Visualisation of the read barcode information.  
See "Indicators in the display" on page 87.



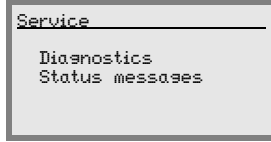
Parameter - main menu

Configuration of the barcode reader.  
See "Parameter menu" on page 92.



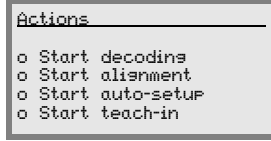
Language selection - main menu

Selection of the display language.  
See "Language selection menu" on page 100.



Service - main menu





Scanner diagnosis and status messages.  
See "Service menu" on page 101.



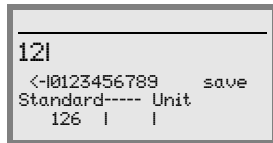
Actions main menu



Various functions for scanner configuration and manual operation.  
See "Actions menu" on page 101.

Device buttons:

-  Navigate upward/laterally
-  Navigate downward/laterally
-  ESCAPE Leave
-  ENTER confirm

Input of values



-  +  Delete character
-  ...  +  Enter digit
- save +  Save input

PWR  PWR LED

- |                          |                                 |
|--------------------------|---------------------------------|
| Off                      | Device OFF                      |
| Flashes green            | Device ok, initialisation phase |
| Green, continuous light  | Device OK                       |
| Orange, continuous light | Service mode                    |
| Flashes red              | Device ok, warning set          |
| Red, continuous light    | Device error                    |

BUS  BUS LED

- |                         |                     |
|-------------------------|---------------------|
| Off                     | No supply voltage   |
| Flashes green           | Initialisation      |
| Green, continuous light | Operation OK        |
| Flashes orange          | Timeout             |
| Flashes red             | Communication error |
| Red, continuous light   | Network error       |

<b>1</b>	<b>General information</b> .....	<b>10</b>
1.1	Explanation of symbols.....	10
1.2	Declaration of conformity .....	10
<b>2</b>	<b>Safety notices</b> .....	<b>11</b>
2.1	General safety notices.....	11
2.2	Safety standards .....	11
2.3	Approved purpose .....	11
2.4	Working safely .....	12
<b>3</b>	<b>Fast commissioning / operating principle</b> .....	<b>14</b>
3.1	Mounting the BCL 500 <i>i</i> \ BCL 501 <i>i</i> .....	14
3.2	Device arrangement and selection of the mounting location.....	14
3.3	Electrical connection BCL 500 <i>i</i> and BCL 501 <i>i</i> .....	15
3.4	Starting the device.....	16
3.5	Barcode reading.....	18
<b>4</b>	<b>Device description</b> .....	<b>19</b>
4.1	About the barcode readers of the BCL 500 <i>i</i> series.....	19
4.2	Characteristics of the barcode readers of the BCL 500 <i>i</i> series.....	19
4.3	Device construction.....	22
4.4	Reading techniques.....	23
4.4.1	Line scanner (single line).....	23
4.4.2	Line scanner with oscillating mirror.....	24
4.4.3	Omnidirectional reading.....	25
4.5	Stand-alone connection .....	25
4.6	Networking - Leuze multiNet plus .....	26
4.7	Leuze multiScan.....	26
4.8	Heater .....	28
4.9	External parameter memory .....	28
4.10	autoReflAct.....	29
4.11	Reference codes .....	29
4.12	autoConfig .....	30

<b>5</b>	<b>Specifications .....</b>	<b>31</b>
<b>5.1</b>	<b>General specifications of the barcode readers .....</b>	<b>31</b>
5.1.1	Line scanner.....	31
5.1.2	Oscillating-mirror scanner .....	33
5.1.3	Line scanner with deflection mirror.....	33
<b>5.2</b>	<b>Heating models of the barcode readers .....</b>	<b>34</b>
5.2.1	Line scanner with heating .....	35
5.2.2	Oscillating-mirror scanner with heating .....	35
5.2.3	Line scanner with deflection mirror and heating.....	36
<b>5.3</b>	<b>Dimensioned drawings.....</b>	<b>37</b>
5.3.1	Line scanner with / without heating .....	37
5.3.2	Deflection mirror scanner with / without heating.....	38
5.3.3	Oscillating-mirror scanner with / without heating.....	39
<b>5.4</b>	<b>Type overview .....</b>	<b>40</b>
5.4.1	BCL 500 <i>i</i> .....	40
5.4.2	BCL 501 <i>i</i> .....	41
<b>5.5</b>	<b>Reading field curves / optical data.....</b>	<b>42</b>
<b>5.6</b>	<b>Reading field curves.....</b>	<b>43</b>
5.6.1	High Density (N) Optics: BCL 500 <i>i</i> \ BCL 501 <i>i</i> SN 100/102.....	44
5.6.2	High Density (N) Optics: BCL 500 <i>i</i> \ BCL 501 <i>i</i> ON 100 .....	45
5.6.3	Medium Density (M) Optics: BCL 500 <i>i</i> \ BCL 501 <i>i</i> SM 100/102.....	46
5.6.4	Medium Density (M) Optics: BCL 500 <i>i</i> \ BCL 501 <i>i</i> OM 100 .....	47
5.6.5	Low Density (F) Optics: BCL 500 <i>i</i> \ BCL 501 <i>i</i> SF 100/102 .....	48
5.6.6	Low Density (F) Optics: BCL 500 <i>i</i> \ BCL 501 <i>i</i> OF 100 .....	49
5.6.7	Ultra Low Density (L) Optics: BCL 500 <i>i</i> \ BCL 501 <i>i</i> SL 102 .....	50
5.6.8	Ultra Low Density (L) Optics: BCL 500 <i>i</i> \ BCL 501 <i>i</i> OL 100.....	51
<b>5.7</b>	<b>Reading field curves for heating devices .....</b>	<b>52</b>
5.7.1	High Density (N) Optics: BCL 500 <i>i</i> \ BCL 501 <i>i</i> SN 102 H .....	52
5.7.2	High Density (N) Optics: BCL 500 <i>i</i> \ BCL 501 <i>i</i> SN 100 H .....	53
5.7.3	High Density (N) Optics: BCL 500 <i>i</i> \ BCL 501 <i>i</i> ON 100 H.....	54
5.7.4	Medium Density (M) Optics: BCL 500 <i>i</i> \ BCL 501 <i>i</i> SM 102 H.....	55
5.7.5	Medium Density (M) Optics: BCL 500 <i>i</i> \ BCL 501 <i>i</i> SM 100 H.....	56
5.7.6	Medium Density (M) Optics: BCL 500 <i>i</i> \ BCL 501 <i>i</i> OM 100 H.....	57
5.7.7	Low Density (F) Optics: BCL 500 <i>i</i> \ BCL 501 <i>i</i> SF 102 H.....	58
5.7.8	Low Density (F) Optics: BCL 500 <i>i</i> \ BCL 501 <i>i</i> SF 100 H.....	59
5.7.9	Low Density (F) Optics: BCL 500 <i>i</i> \ BCL 501 <i>i</i> OF 100 H.....	60
5.7.10	Ultra Low Density (L) Optics: BCL 500 <i>i</i> \ BCL 501 <i>i</i> SL 102 H.....	61
5.7.11	Ultra Low Density (L) Optics: BCL 500 <i>i</i> \ BCL 501 <i>i</i> OL 100 H.....	62

<b>6</b>	<b>Installation and mounting .....</b>	<b>63</b>
<b>6.1</b>	<b>Storage, transportation .....</b>	<b>63</b>
<b>6.2</b>	<b>Mounting the BCL 500<i>i</i> \ BCL 501<i>i</i>.....</b>	<b>64</b>
6.2.1	Fastening with M4 x 6 screws.....	64
6.2.2	BT 56 mounting device.....	65
<b>6.3</b>	<b>Device arrangement.....</b>	<b>66</b>
6.3.1	Selecting a mounting location.....	66
6.3.2	Avoiding total reflection – Line scanner .....	67
6.3.3	Avoiding total reflection – oscillating/deflection-mirror scanner .....	67
6.3.4	Mounting location.....	68
6.3.5	Devices with integrated heating.....	68
6.3.6	Maximum permissible read angles between BCL 500 <i>i</i> \ BCL 501 <i>i</i> and barcode.....	69
<b>6.4</b>	<b>Attaching laser warning sign .....</b>	<b>69</b>
<b>6.5</b>	<b>Cleaning.....</b>	<b>69</b>
<b>7</b>	<b>Electrical connection.....</b>	<b>70</b>
<b>7.1</b>	<b>Safety notices for the electrical connection.....</b>	<b>71</b>
<b>7.2</b>	<b>Electrical connection of the BCL 500<i>i</i>.....</b>	<b>72</b>
7.2.1	PWR – Voltage supply and switching input/outputs 3 and 4 .....	73
7.2.2	SERVICE – USB interface (type A) .....	75
7.2.3	SW IN/OUT – Switching input/switching output.....	76
7.2.4	HOST / BUS IN for BCL 500 <i>i</i> .....	77
7.2.5	BUS OUT for the BCL 500 <i>i</i> .....	79
<b>7.3</b>	<b>Electrical connection of the BCL 501<i>i</i>.....</b>	<b>80</b>
7.3.1	PWR – Voltage supply and switching input/outputs 3 and 4 .....	80
7.3.2	SERVICE – USB interface (type A) .....	80
7.3.3	SW IN/OUT – Switching input/switching output.....	80
7.3.4	HOST / BUS IN for BCL 501 <i>i</i> .....	81
7.3.5	BUS OUT for the BCL 501 <i>i</i> .....	81
<b>7.4</b>	<b>Leuze multiNet plus .....</b>	<b>82</b>
7.4.1	Wiring the multiNet plus.....	83
7.4.2	The BCL 500 <i>i</i> as network master .....	84
7.4.3	The BCL 500 <i>i</i> as network slave.....	85
7.4.4	The BCL 501 <i>i</i> as network slave.....	86
<b>7.5</b>	<b>Line lengths and shielding.....</b>	<b>86</b>

<b>8</b>	<b>Display and control panel .....</b>	<b>87</b>
<b>8.1</b>	<b>Structure of the control panel.....</b>	<b>87</b>
<b>8.2</b>	<b>Status display and operation.....</b>	<b>87</b>
8.2.1	Indicators in the display.....	87
8.2.2	LED status indicators .....	88
8.2.3	Control buttons .....	90
<b>8.3</b>	<b>Menu description .....</b>	<b>91</b>
8.3.1	The main menus .....	91
8.3.2	Parameter menu .....	92
8.3.3	Language selection menu .....	100
8.3.4	Service menu .....	101
8.3.5	Actions menu .....	101
<b>8.4</b>	<b>Operation .....</b>	<b>103</b>
<b>9</b>	<b>Leuze webConfig tool.....</b>	<b>104</b>
<b>9.1</b>	<b>Connecting the SERVICE USB interface .....</b>	<b>104</b>
<b>9.2</b>	<b>Installing the required software.....</b>	<b>104</b>
9.2.1	System requirements .....	104
9.2.2	Installing the USB driver.....	105
<b>9.3</b>	<b>Starting the webConfig tool .....</b>	<b>106</b>
<b>9.4</b>	<b>Short description of the webConfig tool .....</b>	<b>107</b>
9.4.1	Module overview in the Configuration menu .....	107
<b>10</b>	<b>Commissioning and configuration .....</b>	<b>109</b>
<b>10.1</b>	<b>BCL 500<i>i</i>.....</b>	<b>110</b>
10.1.1	Measures to be performed prior to the initial commissioning .....	110
10.1.2	Starting the device .....	110
10.1.3	Operation as a stand-alone device .....	110
10.1.4	Selecting the operating mode .....	111
10.1.5	Operation as a multiNet plus master.....	112
<b>10.2</b>	<b>multiNet plus slave BCL 501<i>i</i>.....</b>	<b>114</b>
10.2.1	Measures to be performed prior to the initial commissioning .....	114
10.2.2	Starting the device .....	115
10.2.3	Setting the device address .....	115
<b>10.3</b>	<b>Additional settings for the BCL 500<i>i</i> and the BCL 501<i>i</i>.....</b>	<b>117</b>
10.3.1	Decoding and processing the read data .....	117
10.3.2	Control of the decoding .....	118
10.3.3	Control of the switching outputs .....	119
<b>10.4</b>	<b>Transmitting configuration data.....</b>	<b>120</b>
10.4.1	Via the webConfig tool .....	120
10.4.2	With the external parameter memory .....	120

<b>11</b>	<b>Online commands.....</b>	<b>123</b>
<b>11.1</b>	<b>Overview of commands and parameters .....</b>	<b>123</b>
11.1.1	General 'online' commands .....	124
11.1.2	'Online' commands for system control.....	131
11.1.3	'Online' commands for the parameter set operations.....	132
<b>12</b>	<b>Diagnostics and troubleshooting.....</b>	<b>139</b>
<b>12.1</b>	<b>General causes of errors.....</b>	<b>139</b>
<b>12.2</b>	<b>Interface errors.....</b>	<b>139</b>
<b>13</b>	<b>Type overview and accessories .....</b>	<b>141</b>
<b>13.1</b>	<b>Type key.....</b>	<b>141</b>
<b>13.2</b>	<b>Type overview BCL 500<i>i</i>.....</b>	<b>141</b>
13.2.1	BCL 500 <i>i</i> .....	141
13.2.2	BCL 501 <i>i</i> .....	143
<b>13.3</b>	<b>Accessory terminating resistor .....</b>	<b>144</b>
<b>13.4</b>	<b>Accessory connectors .....</b>	<b>144</b>
<b>13.5</b>	<b>Accessory USB cable .....</b>	<b>144</b>
<b>13.6</b>	<b>Accessory external parameter memory.....</b>	<b>144</b>
<b>13.7</b>	<b>Accessory mounting device .....</b>	<b>144</b>
<b>13.8</b>	<b>Accessory ready-made cables for voltage supply.....</b>	<b>145</b>
13.8.1	Contact assignment of PWR connection cable.....	145
13.8.2	Specifications of the cables for voltage supply .....	145
13.8.3	Order codes of the cables for voltage supply .....	145
<b>13.9</b>	<b>Accessory ready-made cables for bus connection .....</b>	<b>146</b>
13.9.1	General information .....	146
13.9.2	Contact assignment of KB PB... connection cable for PROFIBUS/multiNet plus .....	146
13.9.3	Technical data of interface connection cable.....	147
13.9.4	Order codes for interface connection cables .....	147
<b>14</b>	<b>Maintenance .....</b>	<b>148</b>
<b>14.1</b>	<b>General maintenance information.....</b>	<b>148</b>
<b>14.2</b>	<b>Repairs, servicing .....</b>	<b>148</b>
<b>14.3</b>	<b>Disassembling, packing, disposing .....</b>	<b>148</b>



---

<b>15</b>	<b>Appendix .....</b>	<b>149</b>
<b>15.1</b>	<b>Declaration of conformity .....</b>	<b>149</b>
<b>15.2</b>	<b>ASCII character set .....</b>	<b>150</b>
<b>15.3</b>	<b>Barcode samples .....</b>	<b>154</b>
15.3.1	Module 0.3 .....	154
15.3.2	Module 0.5 .....	155

Figure 2.1:	Attachment of the stick-on labels with warning notices at the BCL 500 <i>i</i> \ BCL 501 <i>i</i> .....	13
Figure 3.1:	Connections of the BCL 500 <i>i</i> .....	15
Figure 3.2:	Connections of the BCL 501 <i>i</i> .....	15
Figure 4.1:	Line scanner, line scanner with deflection mirror and oscillating-mirror scanner.....	19
Figure 4.2:	Possible barcode orientation.....	21
Figure 4.3:	Device construction.....	22
Figure 4.4:	Deflection principle for the line scanner.....	23
Figure 4.5:	Deflection principle for the line scanner with oscillating mirror add-on.....	24
Figure 4.6:	Principle arrangement for omnidirectional reading.....	25
Figure 4.7:	Stand-alone connection.....	25
Figure 4.8:	Networking possibilities using the multiNet plus.....	26
Figure 4.9:	Scanner arrangement with the multiScan function.....	27
Figure 4.10:	External parameter memory.....	28
Figure 4.11:	Reflector arrangement for autoRefiAct.....	29
Table 5.1:	Specifications of the BCL 501 <i>i</i> and BCL 500 <i>i</i> line scanners without heating.....	31
Table 5.2:	Specifications of the BCL 501 <i>i</i> and BCL 500 <i>i</i> oscillating-mirror scanners without heating.....	33
Table 5.3:	Specifications of the BCL 501 <i>i</i> and BCL 500 <i>i</i> deflection-mirror scanners without heating.....	33
Table 5.4:	Specifications of the BCL 501 <i>i</i> and BCL 500 <i>i</i> line scanners with heating.....	35
Table 5.5:	Specifications of the BCL 501 <i>i</i> and BCL 500 <i>i</i> oscillating-mirror scanners with heating.....	35
Table 5.6:	Specifications of the BCL 501 <i>i</i> and BCL 500 <i>i</i> deflection-mirror scanners with heating.....	36
Figure 5.1:	Dimensioned drawing BCL 500 <i>i</i> \ BCL 501 <i>i</i> line scanner S...102.....	37
Figure 5.2:	Dimensioned drawing BCL 500 <i>i</i> \ BCL 501 <i>i</i> deflection-mirror scanner S...100.....	38
Figure 5.3:	Dimensioned drawing BCL 500 <i>i</i> \ BCL 501 <i>i</i> oscillating-mirror scanner O...100.....	39
Table 5.7:	Type overview BCL 500 <i>i</i> .....	40
Table 5.8:	Type overview BCL 501 <i>i</i> .....	41
Figure 5.4:	The most important characteristics of a barcode.....	42
Figure 5.5:	Zero position of the reading distance.....	43
Table 5.9:	Reading conditions.....	43
Figure 5.6:	"High Density" reading field curve for line scanner (with/without deflection mirror).....	44
Figure 5.7:	"High Density" reading field curve for oscillating-mirror scanners.....	45
Figure 5.8:	Lateral "High Density" reading field curve for oscillating-mirror scanners.....	45
Figure 5.9:	"Medium Density" reading field curve for line scanner (with/without deflection mirror).....	46
Figure 5.10:	"Medium Density" reading field curve for oscillating-mirror scanners.....	47
Figure 5.11:	Lateral "Medium Density" reading field curve for oscillating-mirror scanners.....	47
Figure 5.12:	"Low Density" reading field curve for line scanner (with/without deflection mirror).....	48
Figure 5.13:	"Low Density" reading field curve for oscillating-mirror scanners.....	49
Figure 5.14:	Lateral "Low Density" reading field curve for oscillating-mirror scanners.....	49
Figure 5.15:	"Ultra Low Density" reading field curve for line scanner without deflection mirror.....	50
Figure 5.16:	"Ultra Low Density" reading field curve for oscillating-mirror scanners.....	51
Figure 5.17:	Lateral "Ultra Low Density" reading field curve for oscillating-mirror scanners.....	51
Figure 5.18:	"High Density" reading field curve for line scanner with heating (without deflection mirror).....	52
Figure 5.19:	"High Density" reading field curve for line scanner with heating (with deflection mirror).....	53
Figure 5.20:	"High Density" reading field curve for oscillating-mirror scanners with heating.....	54
Figure 5.21:	Lateral "High Density" reading field curve for oscillating-mirror scanners with heating.....	54
Figure 5.22:	"Medium Density" reading field curve for line scanner with heating (without deflection mirror).....	55
Figure 5.23:	"Medium Density" reading field curve for line scanner with heating (with deflection mirror).....	56
Figure 5.24:	"Medium Density" reading field curve for oscillating-mirror scanners with heating.....	57
Figure 5.25:	Lateral "Medium Density" reading field curve for oscillating-mirror scanners with heating.....	57

Figure 5.26:	"Low Density" reading field curve for line scanner with heating (without deflection mirror) .....	58
Figure 5.27:	"Low Density" reading field curve for line scanner with heating (with deflection mirror) .....	59
Figure 5.28:	"Low Density" reading field curve for oscillating-mirror scanners with heating .....	60
Figure 5.29:	Lateral "Low Density" reading field curve for oscillating-mirror scanners with heating .....	60
Figure 5.30:	"Ultra Low Density" reading field curve for line scanner with heating (without deflection mirror).....	61
Figure 5.31:	"Ultra Low Density" reading field curve for oscillating-mirror scanners with heating.....	62
Figure 5.32:	Lateral "Ultra Low Density" reading field curve for oscillating-mirror scanners with heating.....	62
Figure 6.1:	Device name plate BCL 500 <i>i</i> \ BCL 501 <i>i</i> .....	63
Figure 6.2:	Fastening options using M4x6 threaded holes .....	64
Figure 6.3:	BT 56 mounting device .....	65
Figure 6.4:	Mounting example BCL 500 <i>i</i> \ BCL 501 <i>i</i> .....	66
Figure 6.5:	Total reflection – line scanner .....	67
Figure 6.6:	Total reflection – BCL 500 <i>i</i> \ BCL 501 <i>i</i> with oscillating/deflection mirror .....	68
Figure 6.7:	Reading angle for the line scanner .....	69
Figure 7.1:	Location of the electrical connections .....	70
Figure 7.2:	Connections of the BCL 500 <i>i</i> .....	72
Table 7.1:	Pin assignment PWR .....	73
Figure 7.1:	Switching input connection diagram SWIO_3 and SWIO_4 .....	74
Figure 7.2:	Switching output connection diagram SWIO_3 / SWIO_4 .....	74
Table 7.2:	Pin assignments of SERVICE – USB interface.....	75
Table 7.3:	Pin assignment SW IN/OUT.....	76
Figure 7.3:	Switching input connection diagram SWIO_1 and SWIO_2 .....	76
Figure 7.4:	Switching output connection diagram SWIO_1 / SWIO_2 .....	77
Table 7.4:	Pin assignment HOST / BUS IN BCL 500 <i>i</i> .....	77
Figure 7.5:	Pin assignments - HOST / BUS IN as RS 232.....	78
Figure 7.6:	Pin assignments - HOST / BUS IN as RS 422.....	78
Table 7.5:	Pin assignment BUS OUT .....	79
Figure 7.7:	Connections of the BCL 501 <i>i</i> .....	80
Table 7.6:	Pin assignment HOST / BUS IN BCL 501 <i>i</i> .....	81
Figure 7.8:	Leuze multiNet plus system topology.....	82
Figure 7.9:	System topology of Leuze multiNet plus with BCL 500 <i>i</i> as slave .....	85
Table 7.7:	Line lengths and shielding .....	86
Figure 8.1:	Structure of the control panel.....	87
Table 8.1:	Parameter handling submenu.....	92
Table 8.2:	Decoder table submenu .....	93
Table 8.3:	Digital SWIO submenu.....	96
Table 8.4:	Com submenu.....	99
Figure 9.1:	Connecting the SERVICE USB interface.....	104
Figure 9.2:	The start page of the webConfig tool .....	106
Figure 9.3:	Module overview in the webConfig tool.....	107
Figure 10.1:	Connections of the BCL 500 <i>i</i> .....	110
Figure 10.2:	Connections of the BCL 501 <i>i</i> .....	114
Figure 10.3:	Storing configuration data in the webConfig tool .....	120
Figure 10.4:	Installing the external parameter memory.....	121
Figure 10.5:	BCL 500 <i>i</i> \ BCL 501 <i>i</i> with installed parameter memory .....	121
Table 12.1:	General causes of errors .....	139
Table 12.2:	Interface error .....	139
Table 13.1:	Type overview BCL 500 <i>i</i> .....	141

Table 13.2:	Type overview BCL 501 <i>i</i> .....	143
Table 13.3:	Terminating resistor for the BCL 500 <i>i</i> \ BCL 501 <i>i</i> .....	144
Table 13.4:	Connectors for the BCL 500 <i>i</i> \ BCL 501 <i>i</i> .....	144
Table 13.5:	Cables for the BCL 500 <i>i</i> \ BCL 501 <i>i</i> .....	144
Table 13.6:	External parameter memory for the BCL 500 <i>i</i> \ BCL 501 <i>i</i> .....	144
Table 13.7:	Mounting devices for the BCL 500 <i>i</i> \ BCL 501 <i>i</i> .....	144
Table 13.8:	PWR cables for the BCL 500 <i>i</i> \ BCL 501 <i>i</i> .....	145
Figure 13.9:	Cable structure of PROFIBUS/multiNet plus connection cable.....	146
Table 13.10:	Bus connection cables for the BCL 500 <i>i</i> \ BCL 501 <i>i</i> .....	147
Figure 15.1:	Barcode sample labels (module 0.3).....	154
Figure 15.2:	Barcode sample labels (module 0.5).....	155

## 1 General information

### 1.1 Explanation of symbols

The symbols used in this technical description are explained below.



**Attention!**

*This symbol precedes text messages which must strictly be observed. Failure to comply with this information results in injuries to personnel or damage to the equipment.*



**Attention Laser!**

*This symbol warns of possible danger caused by hazardous laser radiation.*



**Notice!**

*This symbol indicates text passages containing important information.*

### 1.2 Declaration of conformity

The barcode readers of the BCL 500*i* series have been developed and manufactured in accordance with the applicable European standards and directives.

The BCL 500*i* series is "UL LISTED" according to American and Canadian safety standards, and fulfils the requirements of Underwriter Laboratories Inc. (UL).



**Notice!**

*You can find the Declaration of Conformity of the devices in the appendix of the manual on page 149.*

The manufacturer of the product, Leuze electronic GmbH & Co KG in D-73277 Owen/Teck, possesses a certified quality assurance system in accordance with ISO 9001.



## 2 Safety notices

### 2.1 General safety notices

#### **Documentation**

All entries in this technical description must be heeded, in particular the present chapter "Safety notices". Keep this technical description in a safe place. It should be available at all times.

#### **Safety regulations**

Observe the locally applicable regulations and the rules of the employer's liability insurance association.

#### **Repair**

Repairs must only be carried out by the manufacturer or an authorised representative.

### 2.2 Safety standards

The barcode readers of the BCL 500*i* series were developed, manufactured and tested in accordance with the applicable safety standards. They correspond to the state of the art.

### 2.3 Approved purpose



#### **Attention!**

*The protection of personnel and the device cannot be guaranteed if the device is operated in a manner not complying with its intended use.*

Barcode readers of the BCL 500*i* series are conceived as stationary, high-speed scanners with integrated decoders for all current barcodes used for automatic object detection.

In particular, unauthorised uses include:

- rooms with explosive atmospheres
- operation for medical purposes

#### **Areas of application**

The barcode readers of the BCL 500*i* series are especially designed for the following areas of application:

- Storage and conveying technologies, in particular for object identification on fast-moving conveyor belts
- Pallet transportation applications
- Automobile sector
- Omnidirectional reading

## 2.4 Working safely



### **Attention!**

Access to or changes on the device, except where expressly described in this operating manual, are not authorised.

### **Safety regulations**

Observe the locally applicable legal regulations and the rules of the employer's liability insurance association.

### **Qualified personnel**

Mounting, commissioning and maintenance of the device must only be carried out by qualified personnel.

Electrical work must be carried out by a certified electrician.



### **Attention, laser radiation!**

*If you look into the beam path over a longer time period, the retina of your eye may be damaged!*

*Never look directly into the beam path!*

*Do not point the laser beam of the BCL 500i \ BCL 501i at persons!*

*When mounting and aligning the BCL 500i \ BCL 501i, avoid reflections of the laser beam off reflective surfaces!*

*The BCL 500i \ BCL 501i barcode readers comply with safety standards EN 60825-1 for a class 2 product. They also comply with the U.S. 21 CFR 1040.10 regulations for a class II laser product except for deviations pursuant to Laser Notice No. 50, dated July 26, 2001.*

*Radiant Energy: The BCL 500i \ BCL 501i uses a low power visible laser diode. The emitted wavelength is 655nm. The average laser power is less than 1mW in accordance with the definition of class 2 lasers.*

*Adjustments: Do not attempt any adjustments to or alterations of this product.*

*Do not remove the protective housing of the barcode reader. There are no user-serviceable parts inside.*

*The scanner window is the only aperture through which light may be observed on this product. A failure of the scanner motor, while the laser diode continues to emit a laser beam, may cause emission levels to exceed those for safe operation. The barcode reader has safeguards to prevent this occurrence. If, however, a stationary beam is emitted, the failing barcode reader should be disconnected from its power source immediately.*

*CAUTION: Use of controls or adjustments or performance of procedures other than specified herein may result in hazardous light exposure.*

*The use of optical instruments or devices in combination with the device increases the danger of eye damage!*

The housing of the BCL 500*i* \ BCL 501*i* is provided with warning notices B and C above and next to the reading window as shown in the following figure:

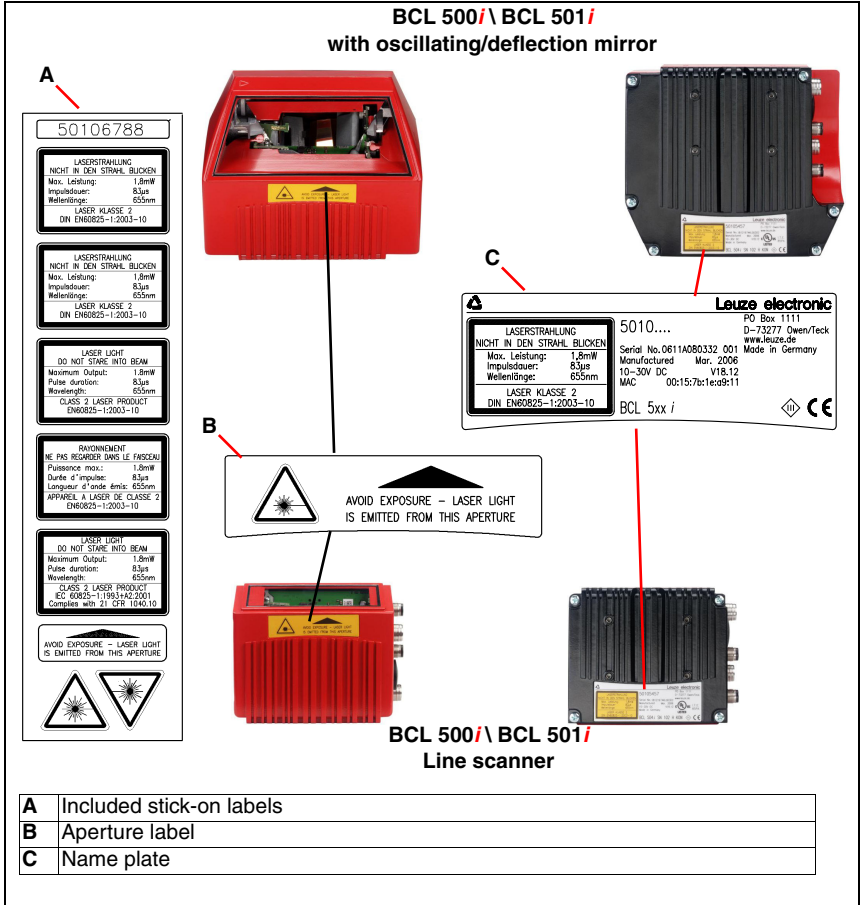


Figure 2.1: Attachment of the stick-on labels with warning notices at the BCL 500*i* \ BCL 501*i*



**Notice!**

It is important that you attach the stick-on labels supplied to the device (A in figure 2.1)! If the signs would be covered due to the installation situation of the BCL 500*i* \ BCL 501*i*, attach them instead in the immediate vicinity of the BCL 500*i* \ BCL 501*i* in such a way that it is not necessary to look into the laser beam when reading the notices!



### 3 Fast commissioning / operating principle

Below you will find a short description for the initial commissioning of the BCL 500*i* \ BCL 501*i*. Detailed explanations for all listed points can be found throughout this technical description.

#### 3.1 Mounting the BCL 500*i* \ BCL 501*i*

The BCL 500*i* \ BCL 501*i* barcode readers can be mounted in two different ways:

- Using two M4x6 screws on the rear of the device or using four M4x6 screws on the bottom of the device.
- Using a BT 56 mounting device on the two fastening grooves.

#### 3.2 Device arrangement and selection of the mounting location

In order to select the right mounting location, several factors must be considered:

- Size, orientation, and position tolerance of the barcodes on the objects to be scanned.
- The reading field of the BCL 500*i* \ BCL 501*i* in relation to the barcode module width.
- The resulting minimum and maximum reading distance from the respective reading field (see chapter 5.5 "Reading field curves / optical data").
- The permissible line lengths between the BCL 500*i* \ BCL 501*i* and the host system depending on which interface is used.
- The correct time for data output. The BCL 500*i* \ BCL 501*i* should be positioned in such a way that, taking into consideration the time required for data processing and the conveyor belt speed, there is sufficient time to e.g. initiate sorting operations on the basis of the read data.
- The display and control panel should be very visible and accessible.
- For configuring and commissioning with the webConfig tool, the USB interface should be easily accessible.

For specific information, please refer to chapter 4.4.



#### **Notice!**

*The beam exits the BCL 500*i* \ BCL 501*i* as follows for the respective devices:*

- line scanner **parallel** to the **housing base**
- oscillating mirror and deflection mirror **perpendicular** to the **housing base**

*The black areas in figure 6.1 are the housing base. The best read results are obtained when:*

- The BCL 500*i* \ BCL 501*i* is mounted in such a way that the scanning beam is incident on the barcode at an angle of inclination greater than  $\pm 10^\circ$  ...  $15^\circ$  to vertical.
- The reading distance lies in the middle area of the reading field.
- *The barcode labels are of good print quality and have good contrast ratios.*
- You do not use high-gloss labels.
- *There is no direct sunlight.*

### 3.3 Electrical connection BCL 500*i* and BCL 501*i*

The BCL 500*i* \ BCL 501*i* is equipped with four M12 plugs/sockets which are A- and B-coded, and an A-coded USB socket.

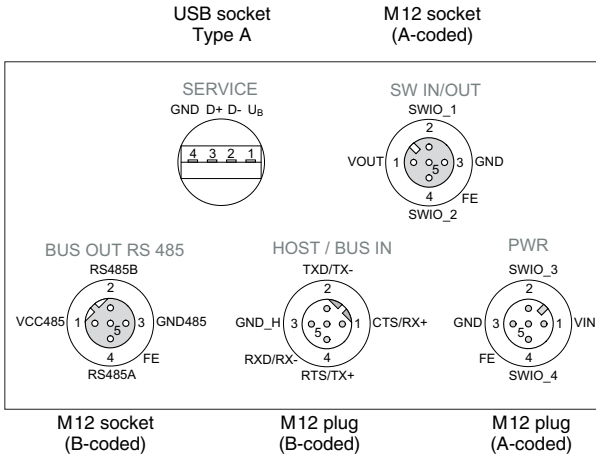


Figure 3.1: Connections of the BCL 500*i*

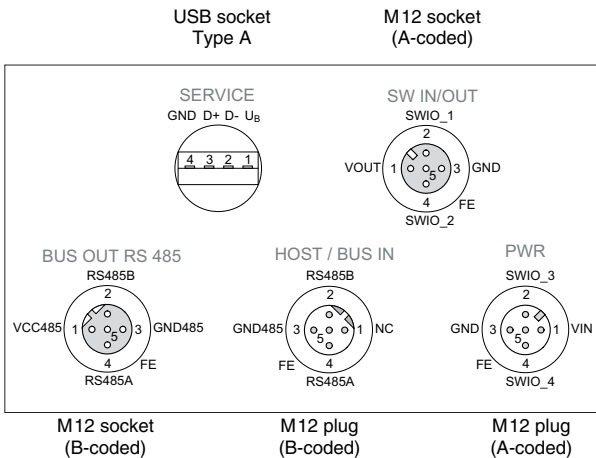


Figure 3.2: Connections of the BCL 501*i*

### ***Voltage supply and switching inputs/outputs***

The **voltage supply** (10 ... 30VDC) is connected at the **PWR** M12 connector.

Available at both the **PWR** M12 connector as well as at the **SW IN/OUT** M12 socket are **four freely programmable switching inputs/outputs** for custom adaptation to the respective application. Detailed information on this topic can be found in chapter 7.2.1 and chapter 7.2.3 (for the BCL 500*i*) and in chapter 7.3.1 and chapter 7.3.3 (for the BCL 501*i*).

### ***Stand-alone operation***

During stand-alone operation of the BCL 500*i*, the host interface of the primary system is connected to HOST/BUS IN. Please make certain that the correct interface is used on the primary system. The standard setting of the BCL 500*i* for the host interface is RS 232.

### ***Network operation in the Leuze multiNet plus***

In Leuze multiNet plus network operation, the primary system (PC/PLC) is connected to the host interface of the BCL 500*i*, the bus connection to the next participant, e.g. a BCL 501*i*, occurs via BUS OUT.

If BUS OUT is not used for the connection to the next participant, the Leuze multiNet plus network must be terminated with an M12 terminating resistor at the last participant (see chapter 13.3 "Accessory terminating resistor").

## **3.4 Starting the device**

☞ *Connect the supply voltage +10 ... 30VDC (typ. +24VDC); the BCL 500*i* \ BCL 501*i* starts up and the barcode reading window appears on the display:*



By default, parameter enabling is deactivated and you cannot change any settings. If you wish to carry out the configuration via the display, you must activate parameter enabling. Further information can be found in chapter "Parameter enabling" on page 103

As a first step, you need to set the operating mode of the BCL 500*i*. The BCL 500*i* can be operated as a stand-alone device, multiNet plus master, or multiNet plus slave.

You can make the necessary settings via the display or via the webConfig tool. Provided here is only a brief description of the settings via the webConfig tool; detailed information can be found in chapter 10.

☞ *Select the desired operating mode*

- Via webConfig:  
   Configuration -> Communication -> Overview

### ***Operation as a multiNet plus master***

☞ *Set the max. slave number parameter to the desired value:*

- Via webConfig:  
   Configuration -> Communication -> BUS OUT -> Protocol

- ↳ Select the desired interface standard (RS 232 / RS 422) and set the associated communication parameters:
  - Via webConfig:  
Configuration -> Communication -> HOST/BUS IN -> Data transmission
- ↳ Select the desired communication protocol and set associated parameters:
  - Via webConfig:  
first  
Configuration -> Communication -> HOST/BUS IN -> Protocol

### Operation as a multiNet plus slave



#### Notice!

The BCL 501*i* always automatically starts as a **slave** participant in the multiNet plus. The default address is 1.

The Leuze multiNet plus permits an address range from 0 to 31. Address 31 must not be used for data communication. It may only be used temporarily for commissioning.

- ↳ Set the Slave address parameter to a value > 0 and < 31. Start with address 01 for the first slave and assign further addresses in contiguous ascending order.
  - Via webConfig:  
Configuration -> Communication -> BUS OUT -> Protocol

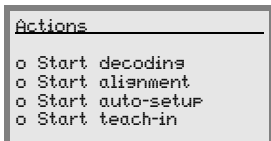
### Further settings







After the basic configuration of the operating mode and the communication parameters, you need to carry out further settings:

- Decoding and processing the read data
  - ↳ Define at least one code type with the desired settings.
    - Via webConfig:  
Configuration -> Decoder
- Control of the decoding
  - ↳ Configure the connected switching inputs according to your requirements. To do this, first set the I/O mode to Input and then configure the switching behaviour:
    - Via webConfig:  
Configuration -> Device -> Switching inputs/outputs
- Control of the switching outputs
  - ↳ Configure the connected switching outputs according to your requirements. To do this, first set the I/O mode to Output and then configure the switching behaviour:
    - Via webConfig:  
Configuration -> Device -> Switching inputs/outputs

### 3.5 Barcode reading

With the aid of the "Action menu", you can instruct the BCL 500*i* \ BCL 501*i* to read a barcode.



In the main menu, use the   buttons to select the Actions menu item. Activate the Actions menu with . Then select Start decoding with   and press  again to start the barcode reading operation.

To test, you can use the following barcode in the 2/5 Interleaved format. The barcode module here is 0.5:



The read information appears in the display and is simultaneously passed on to the primary system (PLC or PC).

Please check the incoming data of the barcode information there.

Alternatively, you can connect a photoelectric sensor or a 24 V DC switching signal to the SW IN/OUT socket for read activation. To do this, however, you must appropriately configure the switching input (see chapter 7.2.3 "SW IN/OUT – Switching input/switching output").

## 4 Device description

### 4.1 About the barcode readers of the BCL 500*i* series

Barcode readers of the BCL 500*i* series are high-speed scanners with integrated decoder for all commonly used barcodes, e.g. 2/5 Interleaved, Code 39, Code 128, EAN 8/13 etc., as well as codes from the RSS family.

Barcode readers of the BCL 500*i* series are available in various optics models as well as line scanners, line scanners with deflection mirrors, oscillating mirrors and also optionally as heated models.



Figure 4.1: Line scanner, line scanner with deflection mirror and oscillating-mirror scanner

The extensive options for device configuration via display or software enable adaptation to a multitude of reading tasks. Due to the large reading distance combined with the great depth of field and a very compact construction, the device is ideally suited for package and pallet transportation systems. In general, the barcode readers of the BCL 500*i* series are designed for the conveyor and storage technology market.

The interfaces (**RS 232**, **RS 485** and **RS 422**) integrated in the various device models and the fieldbus systems (**PROFIBUS DP**, **ProfiNet** and **Ethernet**) of the barcode readers of the BCL 500*i* series offer optimum connection to the primary host system.

### 4.2 Characteristics of the barcode readers of the BCL 500*i* series

Performance features:

- Integrated fieldbus connectivity = *i* -> Plug-and-Play fieldbus coupling and easy networking
- Numerous interface variants facilitate connection to the primary systems
  - RS 232, RS 422 as well as with integrated multiNet plus master

- RS 485 and multiNet plus slave  
alternatively, various fieldbus systems, such as
  - PROFIBUS DP
  - PROFINET
  - Ethernet
- Integrated code fragment technology (**CRT**) enables the identification of soiled or damaged barcodes
- Maximum depth of field and reading distances from 200mm to 1600mm
- Large optical opening angle and, thus, large reading field width
- High scanning rate from 800 - 1200 scans/s for fast reading tasks
- Intuitive, backlit, multi-language display with user-friendly menu navigation
- Integrated **USB 1.1** service interface
- Adjustment of all device parameters with a web browser
- Connection options for an external parameter memory
- Easy alignment- and diagnosis functions
- M12 connections with Ultra-Lock™ technology
- Four freely programmable switching inputs/outputs for the activation or signalling of states
- Automatic monitoring of the read quality with **autoControl**
- Automatic recognition and setting of the barcode type using **autoConfig**
- Reference code comparison
- Optional heating models to -35°C
- Heavy-duty housing of protection class IP 65

**Notice!**

Information on technical data and characteristics can be found in chapter 5.

**General information**

The integrated fieldbus connectivity = **i** contained in the barcode readers of the BCL 500*i* series facilitates the use of identification systems which function without connector unit or gateways. The integrated fieldbus interface considerably simplifies handling. The Plug-and-Play concept enables easy networking and very simple commissioning: Directly connect the respective fieldbus and all configuration is performed with no additional software.

For decoding barcodes, the barcode readers of the BCL 500*i* series make available the proven **CRT decoder** with code fragment technology:

The proven code fragment technology (**CRT**) enables barcode readers of the BCL 500*i* series to read barcodes with a small bar height, as well as barcodes with a damaged or soiled print image.

With the aid of the **CRT decoder**, barcodes can also be read without problem in other demanding situations, such as with a large tilt angle (azimuth angle or even twist angle).

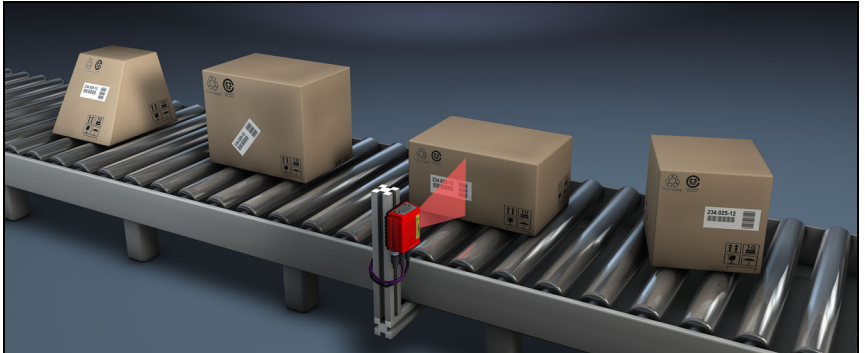


Figure 4.2: Possible barcode orientation

The BCL 500*i* \ BCL 501*i* can be operated and configured using the integrated webConfig tool via the USB service interface; alternatively, the barcode readers can be adjusted using configuration commands via the host/service interface.

The BCL 500*i* \ BCL 501*i* needs a suitable activation to start a read process as soon as an object is in the reading field. This opens a time window ("reading gate") in the BCL 500*i* \ BCL 501*i* for the read process during which the barcode reader has time to detect and decode a barcode.

In the basic setting, triggering takes place through an external reading cycle signal. Alternative activation options include online commands via the host interface and the **autoRefIAct** function.

Through the read operation, the BCL 500*i* \ BCL 501*i* collects additional useful pieces of data for diagnosis which can also be transmitted to the host. The quality of the read operation can be inspected using the **alignment mode** which is integrated in the webConfig tool.

A multi-language display with buttons is used to operate the BCL 500*i* \ BCL 501*i* as well as for visualisation purposes. Two LEDs provide additional optical information on the current operating state of the device.

The four freely configurable switching inputs/outputs "SWIO 1 ... SWIO 4" can be assigned various functions and control e.g. activation of the BCL 500*i* \ BCL 501*i* or external devices, such as a PLC.

System, warning and error messages provide assistance in set-up/troubleshooting during commissioning and read operation.



### 4.3 Device construction

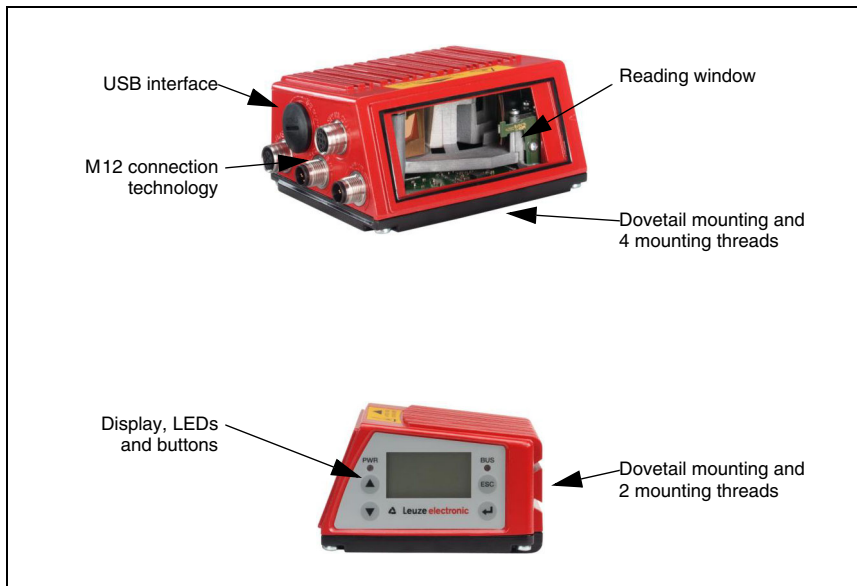


Figure 4.3: Device construction

**4.4 Reading techniques**

**4.4.1 Line scanner (single line)**

A line (scan line) scans the label. Due to the opt. opening angle, the reading field width is dependent on the read distance. Through the movement of the object, the entire barcode is automatically transported through the scan line.

The integrated code fragment technology permits twisting of the barcode (tilt angle) within certain limits. These are dependent on the transport speed, the scanning rate of the scanner and the barcode properties.

***Areas of application of the line scanner***

The line scanner is used:

- when the bars of the barcode are printed in the conveying direction ('ladder arrangement').
- with barcodes having very short bar lengths.
- when the ladder code is turned out of the vertical position (tilt angle).
- when the scanning distance is large.



Figure 4.4: Deflection principle for the line scanner

#### 4.4.2 Line scanner with oscillating mirror

The oscillating mirror deflects the scan line additionally to both sides across the scan direction at a randomly adjustable oscillation frequency. In this way, the BCL 500*i* \ BCL 501*i* can also scan larger areas or spaces for barcodes. The reading field height (and the scan line length useful for evaluation) depends on the reading distance due to the optical beam width of the oscillating mirror.

##### ***Areas of application of the line scanner with oscillating mirror***

For line scanners with oscillating mirror, oscillation frequency, start/stop position etc. are adjustable. It is used:

- when the position of the label is not fixed, e.g. on pallets – various labels can, thus, be detected at various positions.
- when the bars of the barcode are printed perpendicular to the conveying direction ('picket fence arrangement').
- when reading stationary objects.
- when the barcode is turned out of the horizontal position.
- when the scanning distance is large.
- when a large reading field (reading window) has to be covered.

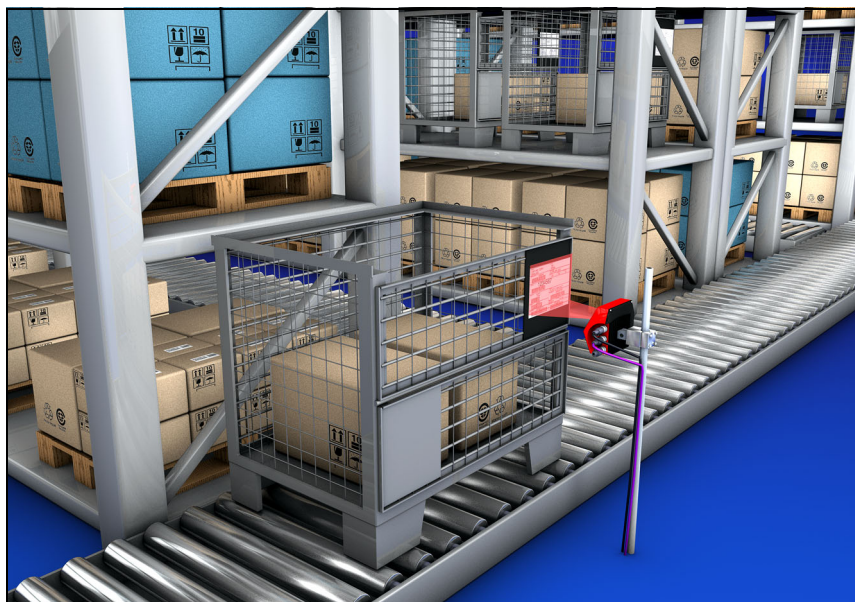


Figure 4.5: Deflection principle for the line scanner with oscillating mirror add-on

**4.4.3 Omnidirectional reading**

In order to read arbitrarily oriented barcodes on an object, at least 2 barcode readers are necessary. If the barcode is not printed over-square, i.e. bar length > code length, barcode readers with integrated code fragment technology are necessary.

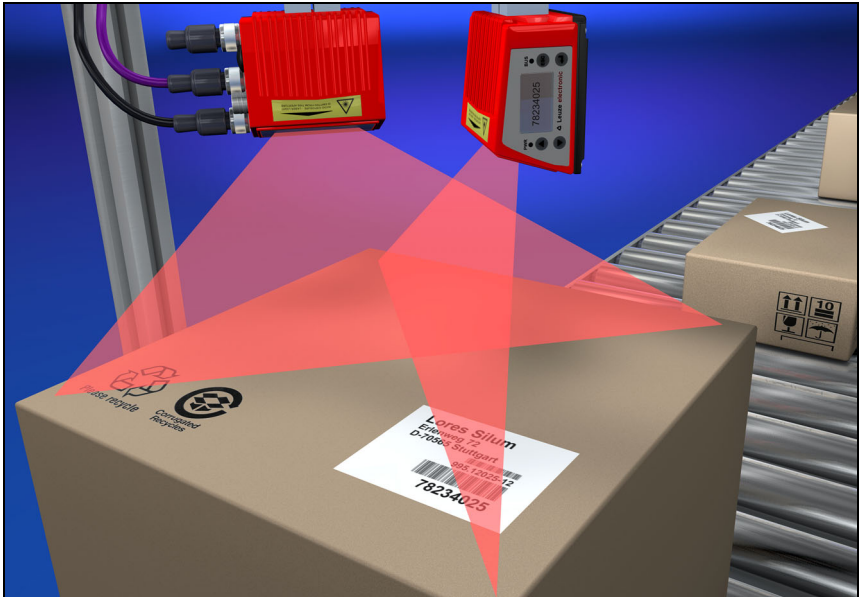


Figure 4.6: Principle arrangement for omnidirectional reading

**4.5 Stand-alone connection**

The barcode readers of the BCL 500*i* series can be operated as individual "stand alone" devices. The BCL 500*i* features multiple M12 connectors / sockets for the electrical connection of the supply voltage, the interface and the switching inputs and outputs.

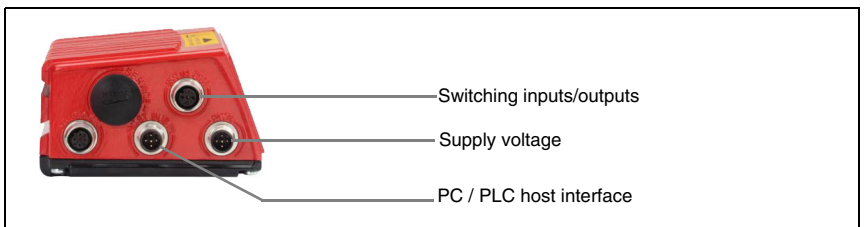


Figure 4.7: Stand-alone connection

## 4.6 Networking - Leuze multiNet plus

In the Leuze **multiNet plus** network, up to 32 barcode readers can be networked together. The respective network devices transmit the read data when requested to by the BCL 500*i* (or MA 31) network master. For this purpose, each BCL 500*i* / BCL 501*i* is assigned its own station address which is set with the aid of the display on the respective BCL 500*i* / BCL 501*i*.

The master then transmits the data of all network devices via its host interface to a primary PLC control system or a computer, i.e. it "collects" the scanner data in the network and transmits it to an interface on the host computer. This reduces interface costs (CPs) and time spent programming the software.

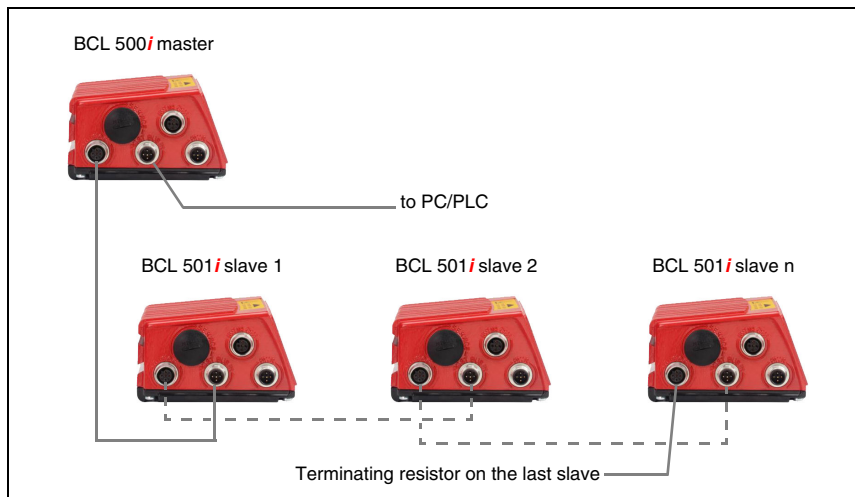


Figure 4.8: Networking possibilities using the multiNet plus

### **Two-wire RS 485**

The **Leuze multiNet plus** is optimised for fast transmission of scanner data to a primary host computer. The multiNet plus consists physically of a two-wire RS 485 interface through which the **Leuze multiNet plus software protocol** is controlled. This makes wiring the network easy and inexpensive as slaves are connected to one another in parallel.

In principle, networking occurs via a parallel connection of the individual RS 485 interfaces of the respective barcode scanners. Shielded, twisted pair conductors should be used for the **Leuze multiNet plus**. This allows a total network length of up to 1200m.

## 4.7 Leuze multiScan

The **multiScan** operating mode is based on **Leuze multiNet plus** and links individual barcode readings from multiple barcode scanners into a single decoding result. This is used, for example, on a packet conveyor system on which the label can be affixed on either the right or left side, thereby requiring two read stations. To prevent the host from having to

always process two readings for a single packet, i.e. a decoding result and a No Read, a multiScan arrangement is used which transmits only one reading from the two read stations to the host; this single reading is transmitted by the multiScan master.

**Notice!**

Thus, from the perspective of the host, the scanner network appears to be just a single barcode reader!

For this purpose one **multiScan** master and one or more **multiScan** slaves are connected together via the RS 485 interface.

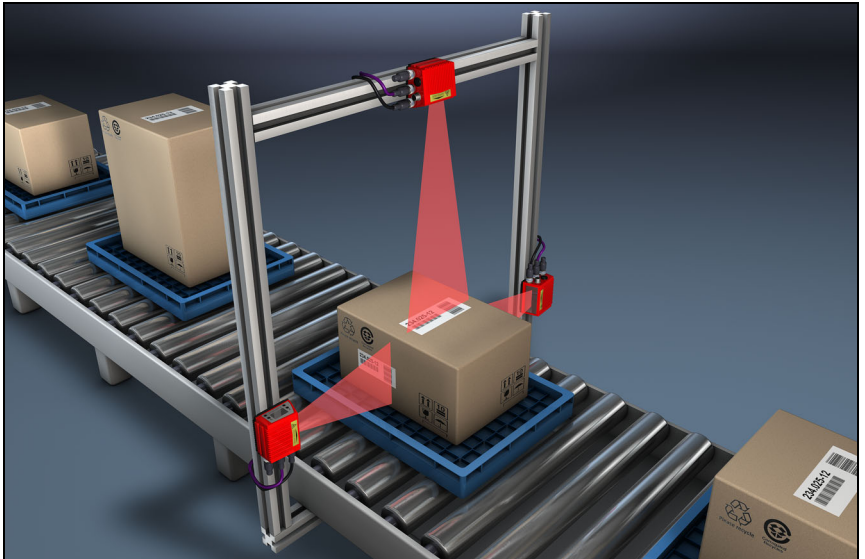


Figure 4.9: Scanner arrangement with the **multiScan** function

**Notice!**

The **multiScan** function on the RS 485 interface is possible for minimum of 2 and a maximum of 32 devices!

The protocol set on the RS 485 interface is the multiNet protocol. As a result, during **multiScan** operation on the RS 485 interface, the multiNet master also functions as the **multiScan** master and the multiNet slaves function as **multiScan** slaves (thus, all multiNet slave are included in **multiScan** operation).

## 4.8 Heater

For low-temperature applications to min.  $-35^{\circ}\text{C}$  (e.g. in cold storage), the barcode readers of the BCL 500*i* \ BCL 501*i* series can optionally be permanently fitted with a built-in heating and these barcode readers purchased as separate device models.

## 4.9 External parameter memory

The optionally available external parameter memory – based on a USB memory stick (compatible with version 1.1) – is housed in an external hood with integrated connectors which cover the USB service interface when installed (IP 65). By having available a copy of the current parameter set of the BCL 500*i* \ BCL 501*i*, the external parameter memory makes it easy and reduces the time needed to replace the BCL 500*i* \ BCL 501*i* on site. A manual configuration of the exchanged device is thereby omitted.



The procedure for transferring the configuration with the aid of the external parameter memory is described on page 120.

The delivery contents of the external parameter memory include the hood with integrated connectors with unscrewable cover and the USB memory stick.



Figure 4.10: External parameter memory



### **Notice!**

To mount, the cover of the hood with integrated connectors must be unscrewed. The tube is then screwed onto the USB connection on the BCL 500*i* \ BCL 501*i* after which the USB memory stick is plugged into the connection and the hood with integrated connectors closed with the cover in order to ensure protection class IP 65.

## 4.10 autoReflAct

**AutoReflAct** stands for **Automatic Reflector Activation** and permits an activation without additional sensors. This is achieved by directing the scanner with reduced scanning beam towards a reflector mounted behind the conveyor path. As long as the scanner is targeted at the reflector, the reading gate remains closed. If, however, the reflector is blocked by an object such as a container with a barcode label, the scanner activates the read procedure, and the label on the container is read. When the path from the scanner to the reflector has cleared, the read procedure has completed and the scanning beam is reduced and again directed onto the reflector. The reading gate is closed.

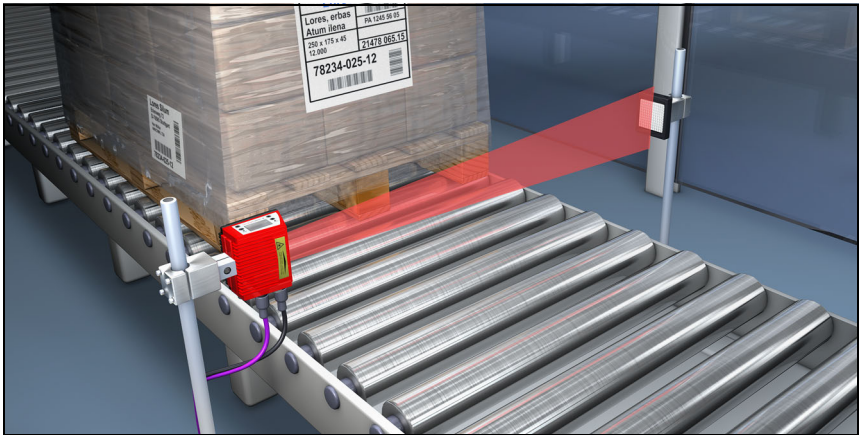


Figure 4.11: Reflector arrangement for autoReflAct

The **autoReflAct** function uses the scanning beam to simulate a photoelectric sensor and thus permits an activation without additional sensory mechanism.

## 4.11 Reference codes

The BCL 500*i* \ BCL 501*i* offers the possibility of storing one or two reference codes.

It is possible to store the reference codes by means of teach-in (display command), via the webConfig tool or via online commands.

The BCL 500*i* \ BCL 501*i* can compare read barcodes with one and/or both reference codes and execute user-configurable functions depending on the comparison result.



## 4.12 autoConfig

With the autoConfig function, the BCL 500*i* \ BCL 501*i* offers the user who only wishes to simultaneously read one code type (symbology) with one number of digits an extremely simple and convenient configuration option.

After starting the autoConfig function via the display, switching input or from a primary control, it is sufficient to position a barcode label with the desired code type and number of digits in the reading field of the BCL 500*i* \ BCL 501*i*.

Afterward, barcodes with the same code type and number of digits are recognised and decoded.

## 5 Specifications

### 5.1 General specifications of the barcode readers

#### 5.1.1 Line scanner

Type	<b>BCL 500<i>i</i></b> Stand alone or multiNet plus master	<b>BCL 501<i>i</i></b> multiNet plus slave
<b>Type</b>	<b>Line scanner without heating</b>	
<b>Optical data</b>		
Light source	laser diode $\lambda = 650\text{nm} / 655\text{nm}$ (red light)	
Beam exit	front	
Scanning rate	1000 scans/s (adjustable in the range 800 ... 1200 scans/s)	
Beam deflection	by means of rotating polygon wheel	
Useful opening angle	max. 60°	
Optics models / resolution	High Density (N): 0.25 ... 0.5mm Medium Density (M): 0.35 ... 0.8mm Low Density (F): 0.5 ... 1.0mm Ultra Low Density (L): 0,7 ... 1,0mm	
Read distance	see reading field curves	
Laser safety class	2 acc. to EN 60825-1, CDRH (U.S. 21 CFR 1040.10)	
<b>Barcode data</b>		
Code types	2/5 Interleaved, Code 39, Code 128, EAN 128, EAN / UPC, Codabar, Code 93, RSS 14	
Barcode contrast (PCS)	>= 60%	
External light tolerance	2000 lx (on the barcode)	
Number of barcodes per scan	6	
<b>Electrical data</b>		
Interface type	1x RS 232/422 at M12 (B) and 1x RS 485 at M12 (B)	1x RS 485 at 2x M12 (B)
Protocols	Leuze Standard, Leuze multiNet plus, ACK / NAK, 3964 (R) RK 512, Xon/XOff	Leuze Standard, Leuze multiNet plus
Baud rate	4800 ... 115400 Baud	
Data formats	Data bits: 7,8 Parity: None, Even, Odd Stop bits: 1,2	
Service interface	USB 1.1 compatible, A-coded	
Switching input / switching output	4 switching inputs/outputs, freely programmable functions - Switching input: 10 ... 30VDC depending on supply voltage, I max. = 8mA - Switching output: 10 ... 30VDC, depending on supply voltage, I max. = 100mA (short-circuit proof) Switching inputs/outputs are protected against polarity reversal!	
Operating voltage	10 ... 30VDC (Class II, Safety Class III)	
Power consumption	max. 10W	

Table 5.1: Specifications of the BCL 501*i* and BCL 500*i* line scanners without heating

Type	BCL 500 <i>i</i> Stand alone or multiNet plus master	BCL 501 <i>i</i> multiNet plus slave
Type	<b>Line scanner without heating</b>	
<b>Operating and display elements</b>		
Display	monochromatic graphical display, 128 x 64 pixel, with background lighting	
Keyboard	4 buttons	
LEDs	2 LEDs for power (PWR) and bus state (BUS), two-coloured (red/green)	
<b>Mechanical data</b>		
Protection class	IP 65 (with screwed-on M12 connectors or mounted caps)	
Weight	1.1 kg	
Dimensions (WxHxD)	63 x 123.5 x 106.5 mm	
Housing	diecast aluminium	
<b>Environmental data</b>		
Operating temperature range	0°C ... +40°C	
Storage temperature range	-20°C ... +70°C	
Air humidity	max. 90% rel. humidity, non-condensing	
Vibration	IEC 60068-2-6, test FC	
Shock	IEC 60068-2-27, test Ea	
Continuous shock	IEC 60068-2-29, test Eb	
Electromagnetic compatibility	EN 55022; IEC 61000-6-2 (contains IEC 61000-4-2, -3, -4, -5 and -6) <sup>1)</sup>	

Table 5.1: Specifications of the BCL 501*i* and BCL 500*i* line scanners without heating

- 1) This is a Class A product. In a domestic environment this product may cause radio interference, in which case the operator may be required to take adequate measures.



**Attention!**

*For UL applications, use is permitted exclusively in Class 2 circuits according to NEC (National Electric Code).*



*The BCL 500*i* \ BCL 501*i* barcode readers are designed in accordance with safety class III for supply by PELV (protective extra-low voltage with reliable disconnection).*

**5.1.2 Oscillating-mirror scanner**

Technical data same as for line scanner without heating with the following differences:

Type	BCL 500 <i>i</i> Stand alone or multiNet plus master	BCL 501 <i>i</i> multiNet plus slave
<b>Type</b>	<b>Oscillating-mirror scanner without heating</b>	
<b>Optical data</b>		
Beam exit	Lateral zero position at an angle of 90°	
Beam deflection	Via rotating polygon wheel (horizontal) and stepping motor with mirror (vertical)	
Oscillation frequency	0 ... 10Hz (adjustable, max. frequency is dependent on set swivel angle)	
Max. swivel angle	±20°(adjustable)	
Reading field height	see reading field curves	
<b>Electrical data</b>		
Power consumption	max. 14W	
<b>Mechanical data</b>		
Weight	1.5kg	
Dimensions (WxHxD)	84 x173 x147mm	

Table 5.2: Specifications of the BCL 501*i* and BCL 500*i* oscillating-mirror scanners without heating

**5.1.3 Line scanner with deflection mirror**

Technical data same as for line scanner without heating with the following differences:

Type	BCL 500 <i>i</i> Stand alone or multiNet plus master	BCL 501 <i>i</i> multiNet plus slave
<b>Type</b>	<b>Line scanner with deflection mirror without heating</b>	
<b>Optical data</b>		
Beam exit	Lateral zero position at an angle of 90°	
Beam deflection	Via rotating polygon wheel (horizontal) and deflection mirror (vertical)	
Max. optical adjustment range of the beam exit	±10° (adjustable via display or software)	
<b>Electrical data</b>		
Power consumption	max. 11W	
<b>Mechanical data</b>		
Weight	1.4kg	
Dimensions (WxHxD)	84 x173 x147mm	

Table 5.3: Specifications of the BCL 501*i* and BCL 500*i* deflection-mirror scanners without heating

## 5.2 Heating models of the barcode readers

The BCL 500*i* \ BCL 501*i* barcode readers are optionally available as models with integrated heating. In this case, heating is permanently installed ex works. Self-installation on-site by the user is not possible!

### Features

- Integrated heating (permanently installed)
- Extends the application range of the BCL 500*i* \ BCL 501*i* to -35°C
- Supply voltage 24VDC  $\pm 20\%$
- BCL 500*i* \ BCL 501*i* enabling through an internal temperature switch (switch-on delay about 30min for 24VDC and minimum ambient temperature of -35°C)
- Necessary conductor cross-section for the voltage supply: at least 0.75mm<sup>2</sup>; the use of ready-made cables is, thus, not possible.

### Construction

The heating consists of two parts:

- The front cover heater
- The housing heater

### Function

When the 24VDC supply voltage is applied to the BCL 500*i* \ BCL 501*i*, a temperature switch initially only connects the heating to electrical power (front cover heater and housing heater). During the heating phase (around 30min), when the inside temperature rises above 15°C, the temperature switch connects the BCL 500*i* \ BCL 501*i* to the supply voltage. This is followed by the self test and the changeover to read operation. The "PWR" LED lights up showing overall readiness for operation.

When the inside temperature reaches approximately 18 °C, another temperature switch turns the housing heater off and, if necessary, back on again (if the inside temperature drops below 15°C). This does not interrupt the read operation. The front cover heater remains activated until an inside temperature of 25°C is reached. At temperatures above this, the front cover heater switches off and, with a switching hysteresis of 3°C, back on again at an inside temperature below 22°C.

### Electrical connection

The required core cross-section of the connection cable for the voltage supply must be at least 0.75 mm<sup>2</sup>.

### Attention!

*The voltage supply must not be looped through from one device to the next.*



**Power consumption**

The energy requirement depends on the model:

- the line scanner with heating typically consumes 40W and a maximum of 50W power.
- the line scanner with oscillating mirror and heating typically consumes 60W and a maximum of 75W.

These values are based on operation with unconnected switching outputs.

**5.2.1 Line scanner with heating**

Technical data same as for line scanner without heating with the following differences:

Type	BCL 500 <i>i</i> Stand alone or multiNet plus master	BCL 501 <i>i</i> multiNet plus slave
Type	<b>Line scanner with heating</b>	
<b>Electrical data</b>		
Operating voltage	24VDC ±20%	
Power consumption	max. 50W	
Structure of the heating	Housing heating and separate heating of the optics glass	
Warmup time	Min. 30min at +24VDC and an ambient temperature of -35°C	
Min. conductor cross-section	Conductor cross-section of at least 0.75mm <sup>2</sup> for the supply-voltage supply line. Wiring through of the voltage supply to multiple heating devices is <b>not</b> permissible. Standard, M12 ready-made cable <b>not</b> usable (insufficient cable cross-section)	
<b>Environmental data</b>		
Operating temperature range	-35°C ... +40°C	
Storage temperature range	-20°C ... +70°C	

Table 5.4: Specifications of the BCL 501*i* and BCL 500*i* line scanners with heating

**5.2.2 Oscillating-mirror scanner with heating**

Technical data same as for line scanner without heating with the following differences:

Type	BCL 500 <i>i</i> Stand alone or multiNet plus master	BCL 501 <i>i</i> multiNet plus slave
Type	<b>Oscillating-mirror scanner with heating</b>	
<b>Optical data</b>		
Useful opening angle	max. 50°	
Max. swivel angle	±12°(adjustable)	

Table 5.5: Specifications of the BCL 501*i* and BCL 500*i* oscillating-mirror scanners with heating

Type	BCL 500 <i>i</i> Stand alone or multiNet plus master	BCL 501 <i>i</i> multiNet plus slave
<b>Type</b>	<b>Oscillating-mirror scanner with heating</b>	
<b>Electrical data</b>		
Operating voltage	24VDC ±20%	
Power consumption	max. 75W	
Structure of the heating	Housing heating and separate heating of the optics glass	
Warmup time	Min. 30min at +24VDC and an ambient temperature of -35°C	
Min. conductor cross-section	Conductor cross-section of at least 0.75mm <sup>2</sup> for the supply-voltage supply line. Wiring through of the voltage supply to multiple heating devices is <b>not</b> permissible.  Standard, M12 ready-made cable <b>not</b> usable (insufficient cable cross-section)	
<b>Environmental data</b>		
Operating temperature range	-35°C ... +40°C	
Storage temperature range	-20°C ... +70°C	

Table 5.5: Specifications of the BCL 501*i* and BCL 500*i* oscillating-mirror scanners with heating

### 5.2.3 Line scanner with deflection mirror and heating

Technical data same as for line scanner without heating with the following differences:

Type	BCL 500 <i>i</i> Stand alone or multiNet plus master	BCL 501 <i>i</i> multiNet plus slave
<b>Type</b>	<b>Deflection mirror scanner with heating</b>	
<b>Optical data</b>		
Useful opening angle	max. 50°	
Max. adjustment range	±10°(adjustable via display or software)	
<b>Electrical data</b>		
Operating voltage	24VDC ±20%	
Power consumption	max. 75W	
Structure of the heating	Housing heating and separate heating of the optics glass	
Warmup time	Min. 30min at +24VDC and an ambient temperature of -35°C	
Min. conductor cross-section	Conductor cross-section of at least 0.75mm <sup>2</sup> for the supply-voltage supply line. Wiring through of the voltage supply to multiple heating devices is <b>not</b> permissible.  Standard, M12 ready-made cable <b>not</b> usable (insufficient cable cross-section)	
<b>Environmental data</b>		
Operating temperature range	-35°C ... +40°C	
Storage temperature range	-20°C ... +70°C	

Table 5.6: Specifications of the BCL 501*i* and BCL 500*i* deflection-mirror scanners with heating

### 5.3 Dimensioned drawings

#### 5.3.1 Line scanner with / without heating

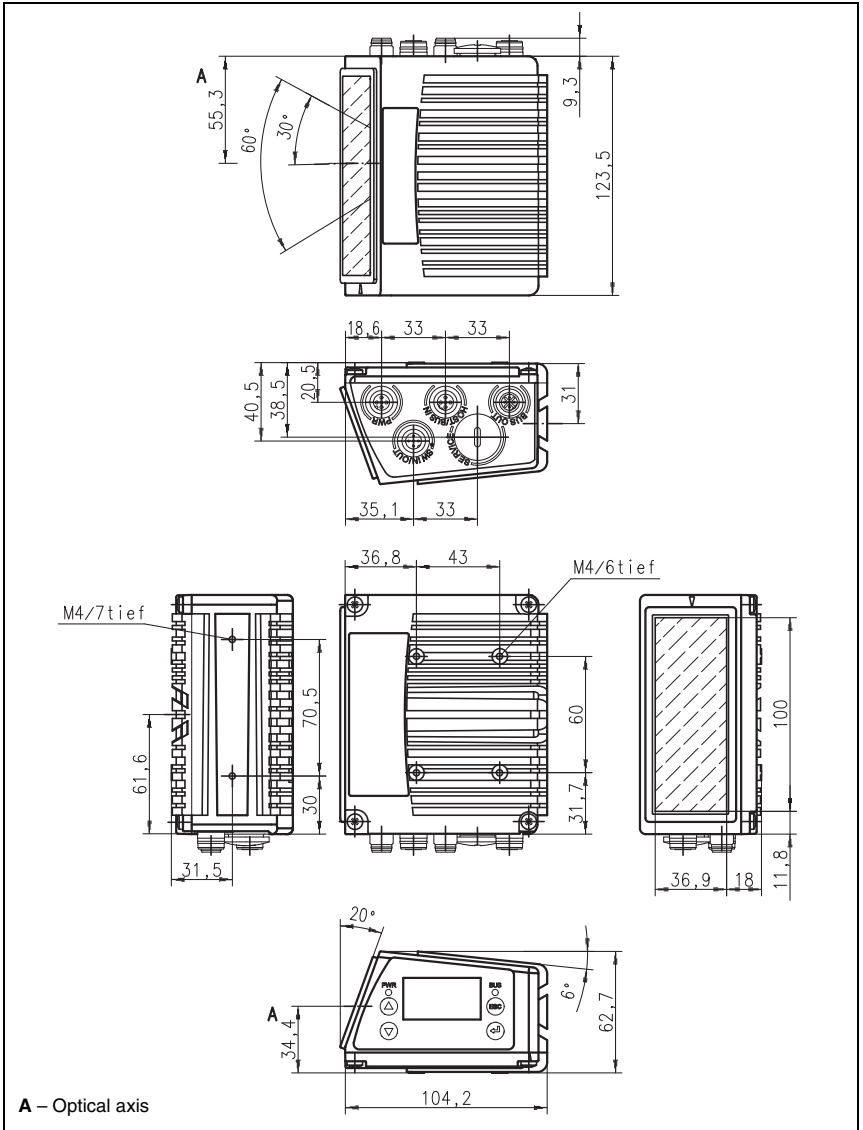


Figure 5.1: Dimensioned drawing BCL 500i \ BCL 501i line scanner S...102



5.3.2 Deflection mirror scanner with / without heating

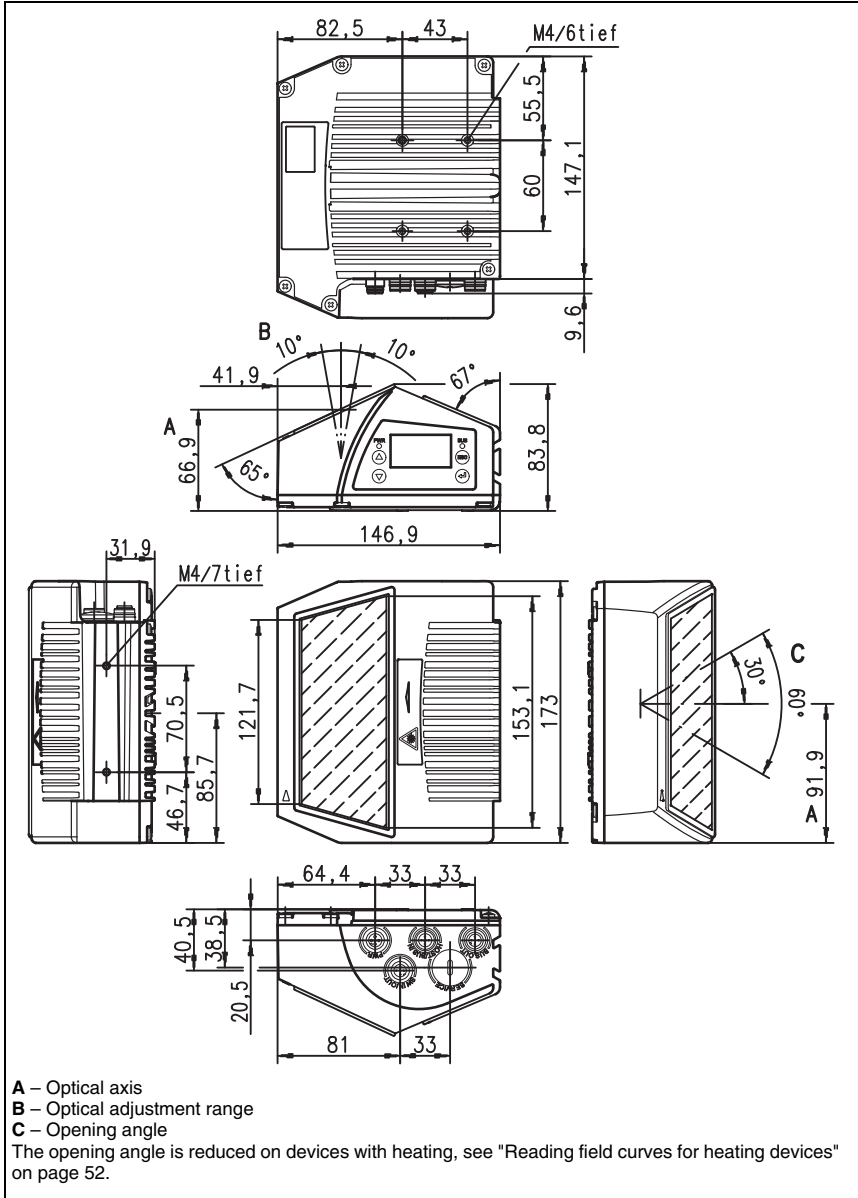


Figure 5.2: Dimensioned drawing BCL 500i / BCL 501i deflection-mirror scanner S...100

**5.3.3 Oscillating-mirror scanner with / without heating**

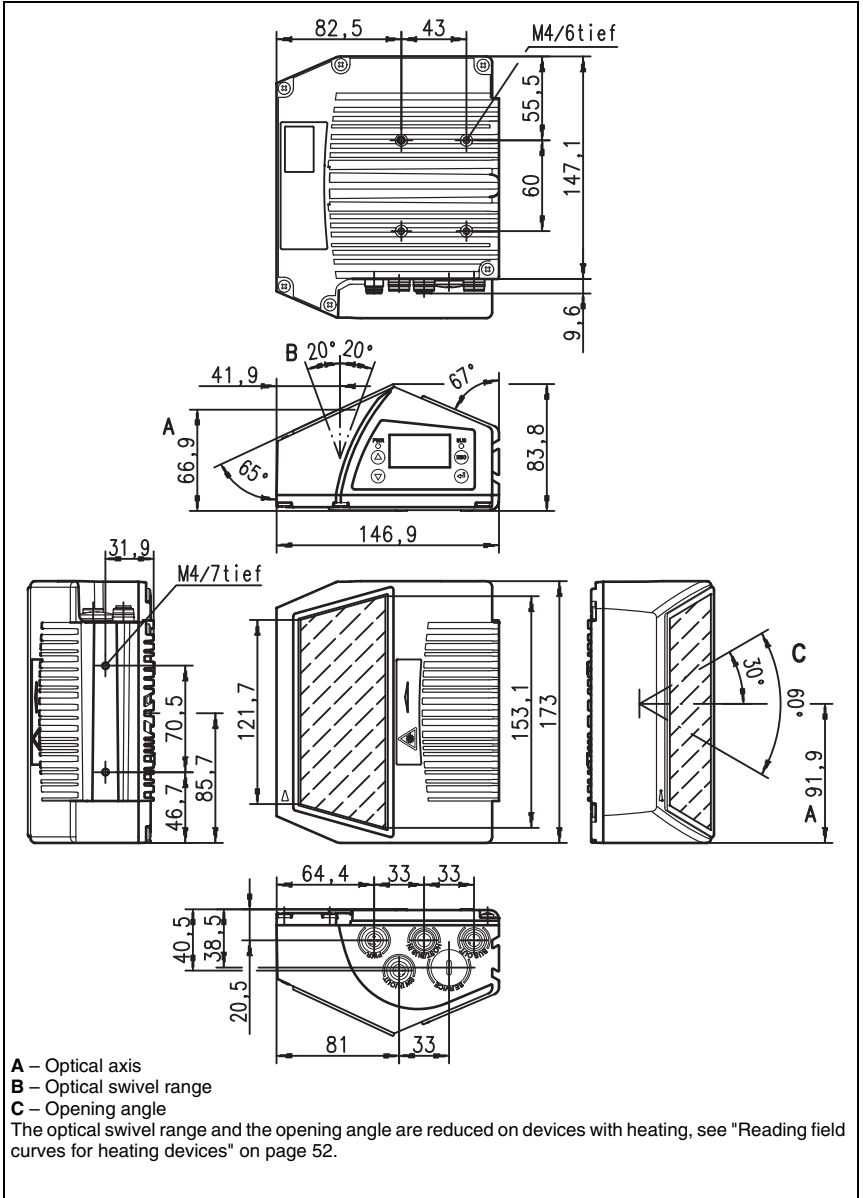


Figure 5.3: Dimensioned drawing BCL 500 / BCL 501 / oscillating-mirror scanner O...100

## 5.4 Type overview

For different reading task and connection requirements, the barcode readers of the BCL 500*i* series are available in various models and versions.

### 5.4.1 BCL 500*i*

(Stand alone or multiNet plus master with 1x RS 232/RS 422 and 1x RS 485 interface)

Type designation	Description	Part No.
<b>High Density Optics (m = 0.25 ... 0.5mm)</b>		
BCL 500 <i>i</i> SN 100	Line scanner with deflection mirror	501 05453
BCL 500 <i>i</i> SN 102	Line scanner, beam exit at the front	501 05454
BCL 500 <i>i</i> ON 100	Oscillating-mirror scanner	501 05455
BCL 500 <i>i</i> SN 100 H	Line scanner with deflection mirror, with heating	501 05456
BCL 500 <i>i</i> SN 102 H	Line scanner, beam exit at the front, with heating	501 05457
BCL 500 <i>i</i> ON 100 H	Oscillating-mirror scanner with heating	501 05458
<b>Medium Density Optics (m = 0.35 ... 1.0mm)</b>		
BCL 500 <i>i</i> SM 100	Line scanner with deflection mirror	501 05459
BCL 500 <i>i</i> SM 102	Line scanner, beam exit at the front	501 05460
BCL 500 <i>i</i> OM 100	Oscillating-mirror scanner	501 05461
BCL 500 <i>i</i> SM 100 H	Line scanner with deflection mirror, with heating	501 05462
BCL 500 <i>i</i> SM 102 H	Line scanner, beam exit at the front, with heating	501 05463
BCL 500 <i>i</i> OM 100 H	Oscillating-mirror scanner with heating	501 05464
<b>Low Density Optics (m = 0.5 ... 1.0mm)</b>		
BCL 500 <i>i</i> SF 100	Line scanner with deflection mirror	501 05465
BCL 500 <i>i</i> SF 102	Line scanner, beam exit at the front	501 05466
BCL 500 <i>i</i> OF 100	Oscillating-mirror scanner	501 05467
BCL 500 <i>i</i> SF 100 H	Line scanner with deflection mirror, with heating	501 05468
BCL 500 <i>i</i> SF 102 H	Line scanner, beam exit at the front, with heating	501 05469
BCL 500 <i>i</i> OF 100 H	Oscillating-mirror scanner with heating	501 05470
<b>Ultra Low Density Optics (m = 0.7 ... 1.0mm)</b>		
BCL 500 <i>i</i> SL 102	Line scanner, beam exit at the front	501 09911
BCL 500 <i>i</i> OL 100	Oscillating-mirror scanner	501 09912
BCL 500 <i>i</i> SL 102 H	Line scanner, beam exit at the front, with heating	501 09914
BCL 500 <i>i</i> OL 100 H	Oscillating-mirror scanner with heating	501 09915

Table 5.7: Type overview BCL 500*i*

**5.4.2 BCL 501*i***

(multiNet plus slave with 1x RS 485 interface at 2x M12 B-coded connectors)

Type designation	Description	Part No.
<b>High Density Optics (m = 0.25 ... 0.5mm)</b>		
BCL 501 <i>i</i> SN 100	Line scanner with deflection mirror	501 05471
BCL 501 <i>i</i> SN 102	Line scanner, beam exit at the front	501 05472
BCL 501 <i>i</i> ON 100	Oscillating-mirror scanner	501 05473
BCL 501 <i>i</i> SN 100 H	Line scanner with deflection mirror, with heating	501 05474
BCL 501 <i>i</i> SN 102 H	Line scanner, beam exit at the front, with heating	501 05475
BCL 501 <i>i</i> ON 100 H	Oscillating-mirror scanner with heating	501 05476
<b>Medium Density Optics (m = 0.35 ... 1.0mm)</b>		
BCL 501 <i>i</i> SM 100	Line scanner with deflection mirror	501 05477
BCL 501 <i>i</i> SM 102	Line scanner, beam exit at the front	501 05478
BCL 501 <i>i</i> OM 100	Oscillating-mirror scanner	501 05479
BCL 501 <i>i</i> SM 100 H	Line scanner with deflection mirror, with heating	501 05480
BCL 501 <i>i</i> SM 102 H	Line scanner, beam exit at the front, with heating	501 05481
BCL 501 <i>i</i> OM 100 H	Oscillating-mirror scanner with heating	501 05482
<b>Low Density Optics (m = 0.5 ... 1.0mm)</b>		
BCL 501 <i>i</i> SF 100	Line scanner with deflection mirror	501 05483
BCL 501 <i>i</i> SF 102	Line scanner, beam exit at the front	501 05484
BCL 501 <i>i</i> OF 100	Oscillating-mirror scanner	501 05485
BCL 501 <i>i</i> SF 100 H	Line scanner with deflection mirror, with heating	501 05486
BCL 501 <i>i</i> SF 102 H	Line scanner, beam exit at the front, with heating	501 05487
BCL 501 <i>i</i> OF 100 H	Oscillating-mirror scanner with heating	501 05488
<b>Ultra Low Density Optics (m = 0.7 ... 1.0mm)</b>		
BCL 501 <i>i</i> SL 102	Line scanner, beam exit at the front	501 09890
BCL 501 <i>i</i> OL 100	Oscillating-mirror scanner	501 09891
BCL 501 <i>i</i> SL 102 H	Line scanner, beam exit at the front, with heating	501 09893
BCL 501 <i>i</i> OL 100 H	Oscillating-mirror scanner with heating	501 09894

Table 5.8: Type overview BCL 501*i*

## 5.5 Reading field curves / optical data

### Barcode characteristics



**Notice!**

Please note that the size of the barcode module influences the maximum reading distance and the width of the reading field. Therefore, when selecting a mounting location and/or the barcode label, take into account the different reading characteristics of the scanner with various barcode modules.

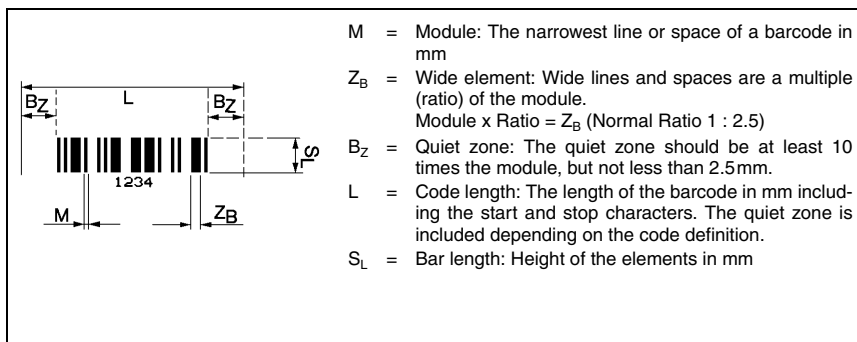


Figure 5.4: The most important characteristics of a barcode

The range in which the barcode can be read by the BCL 500*i* \ BCL 501*i* (the so-called reading field) depends on the quality of the printed barcode and its dimensions.

Therefore, above all, the module of a barcode is decisive for the size of the reading field.



**Notice!**

A rule of thumb: The smaller the module of the barcode is, the smaller the maximum reading distance and reading field width will be.

### 5.6 Reading field curves



**Notice!**

Please notice that the real reading fields are also influenced by factors such as labelling material, printing quality, scanning angle, printing contrast etc., and may thus deviate from the reading fields specified here.

The zero position of the reading distance always refers the front edge of the housing of the beam exit and is shown in figure 5.5 for the two housing types of the BCL 500*i* \ BCL 501*i*.

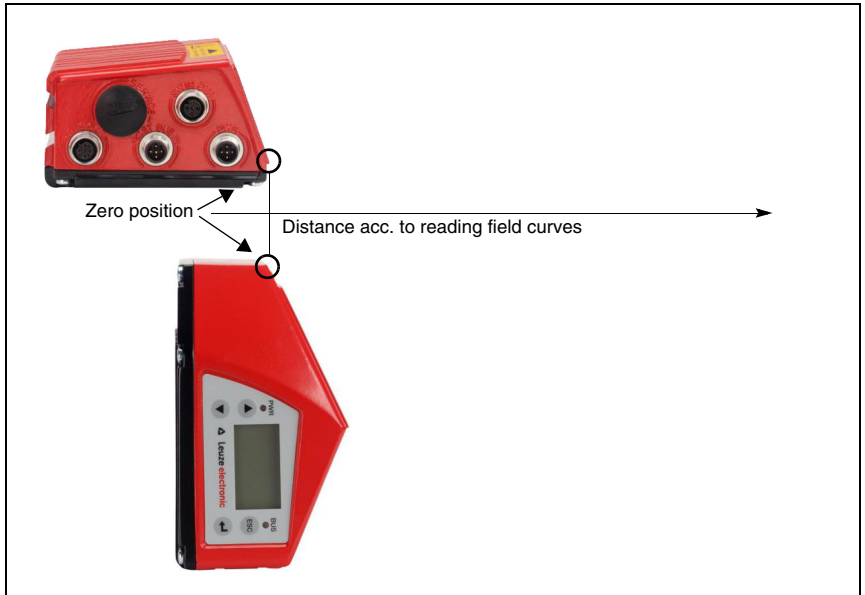


Figure 5.5: Zero position of the reading distance

**Reading conditions for the reading field curves**

<b>Barcode type</b>	2/5 Interleaved
<b>Ratio</b>	1:2.5
<b>ANSI specification</b>	class A
<b>Reading rate</b>	> 75%

Table 5.9: Reading conditions

5.6.1 High Density (N) Optics: BCL 500*i* \ BCL 501*i* / SN 100/102

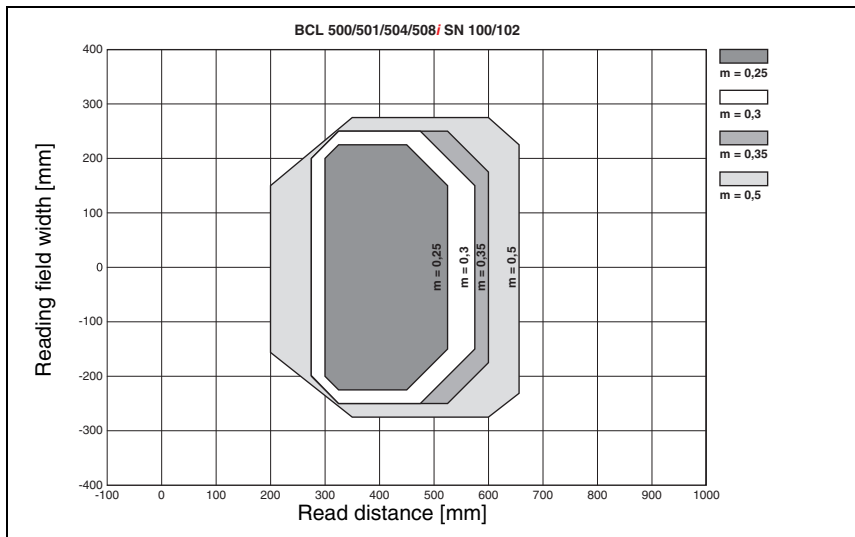


Figure 5.6: "High Density" reading field curve for line scanner (with/without deflection mirror)

The reading field curve applies for the reading conditions stated in table 5.9.

5.6.2 High Density (N) Optics: BCL 500*i* \ BCL 501*i* ON 100

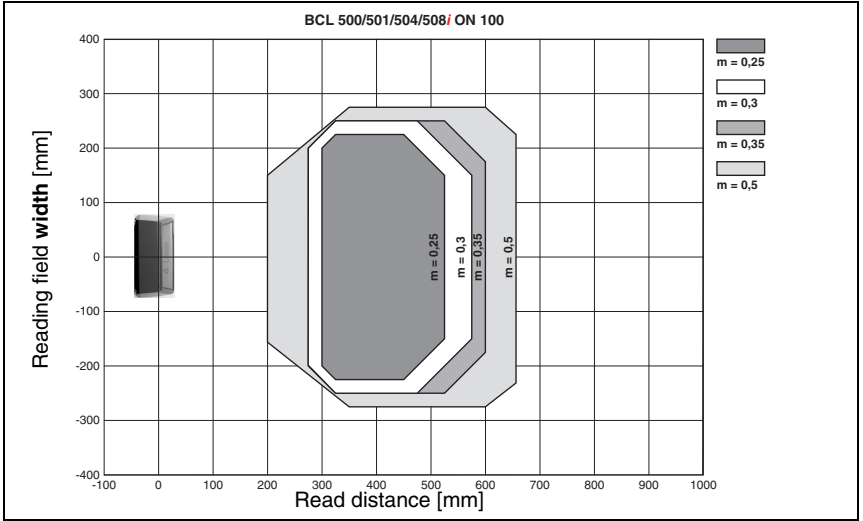


Figure 5.7: "High Density" reading field curve for oscillating-mirror scanners

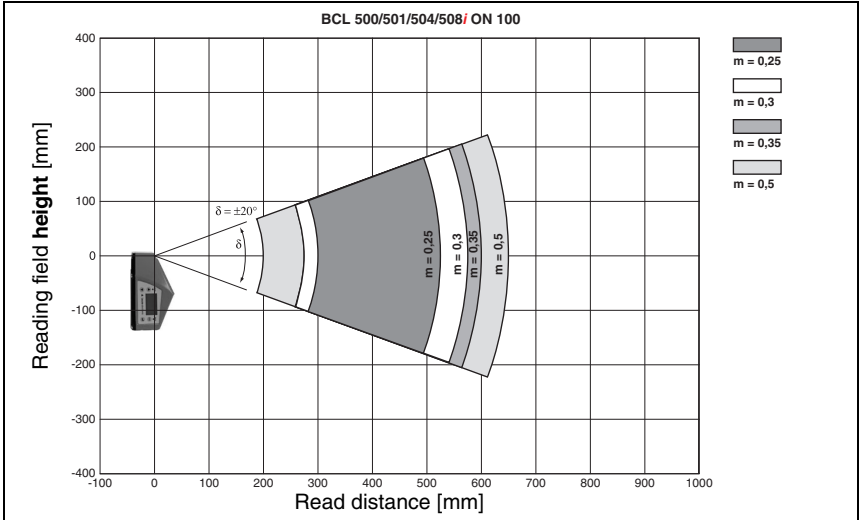


Figure 5.8: Lateral "High Density" reading field curve for oscillating-mirror scanners

The reading field curves apply for the reading conditions stated in table 5.9.



5.6.3 Medium Density (M) Optics: BCL 500*i* \ BCL 501*i* SM 100/102

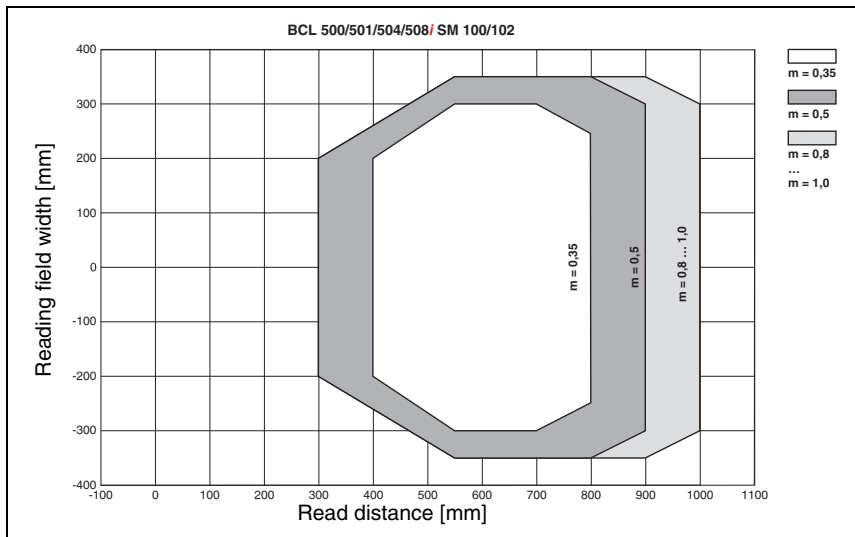


Figure 5.9: "Medium Density" reading field curve for line scanner (with/without deflection mirror)

The reading field curves apply for the reading conditions stated in table 5.9.

5.6.4 Medium Density (M) Optics: BCL 500*i* \ BCL 501*i* / OM 100

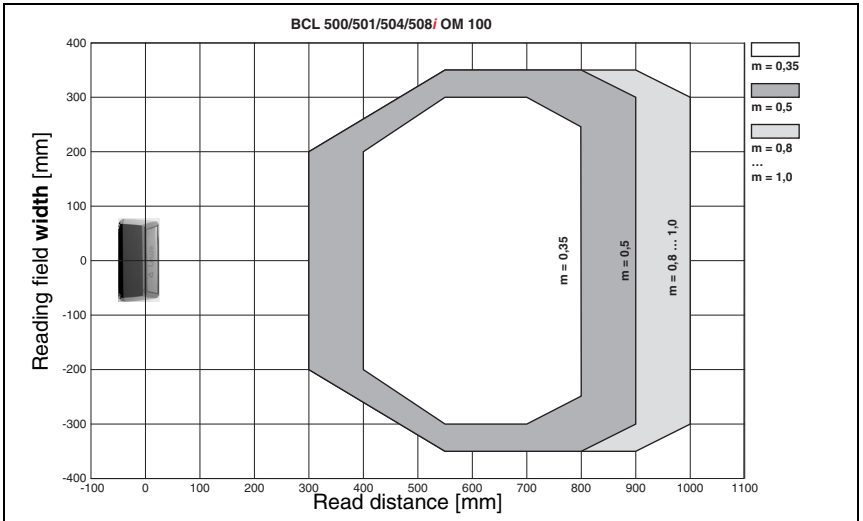


Figure 5.10: "Medium Density" reading field curve for oscillating-mirror scanners

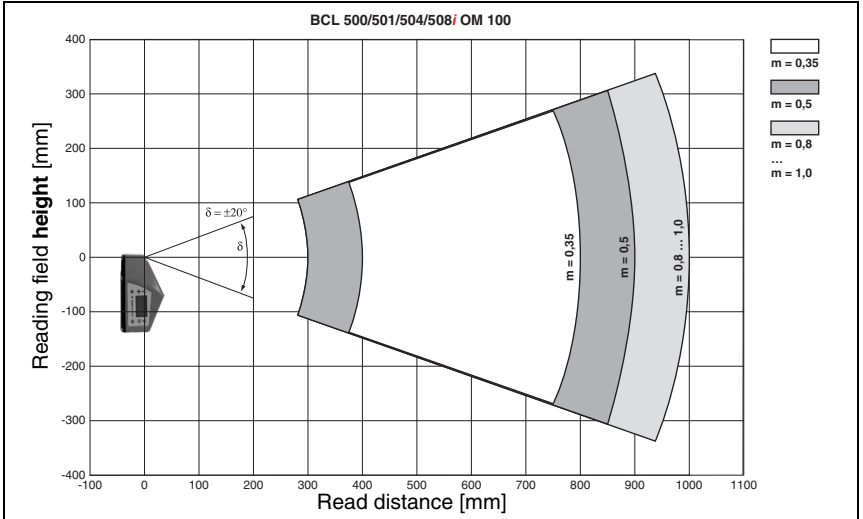


Figure 5.11: Lateral "Medium Density" reading field curve for oscillating-mirror scanners

The reading field curves apply for the reading conditions stated in table 5.9.

5.6.5 Low Density (F) Optics: BCL 500*i* \ BCL 501*i* / SF 100/102

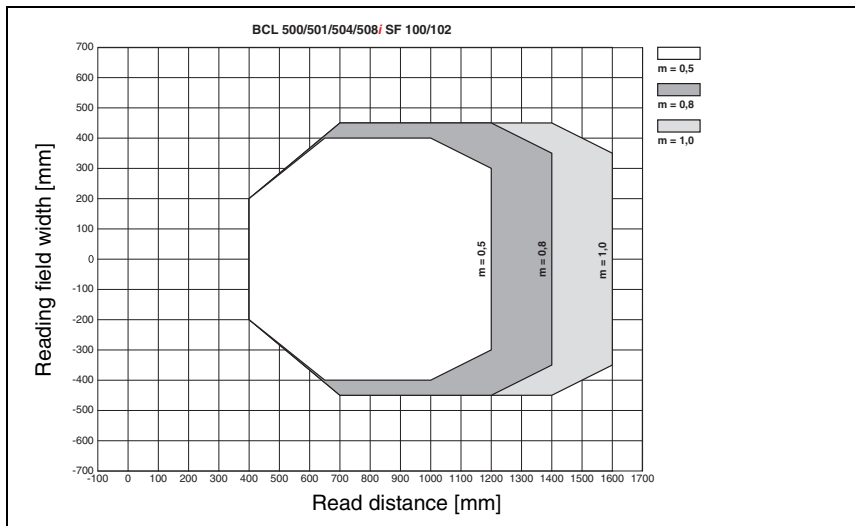


Figure 5.12: "Low Density" reading field curve for line scanner (with/without deflection mirror)

The reading field curves apply for the reading conditions stated in table 5.9.

5.6.6 Low Density (F) Optics: BCL 500/i \ BCL 501/i / OF 100

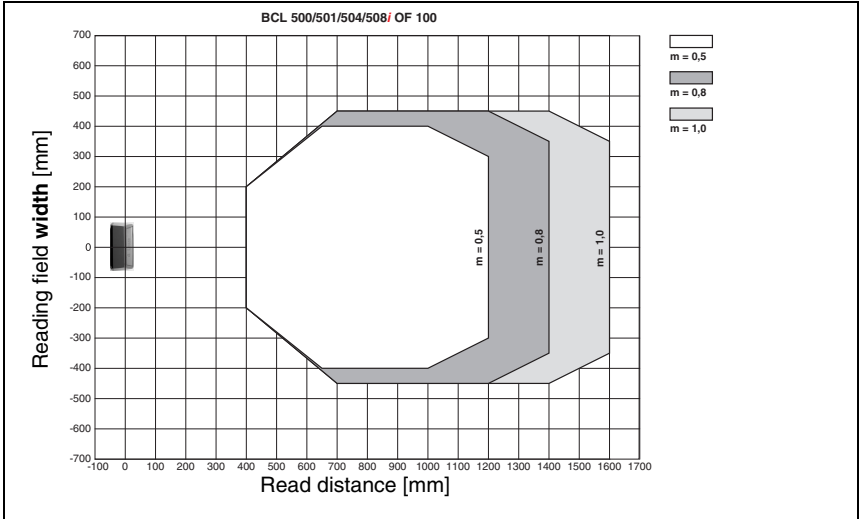


Figure 5.13: "Low Density" reading field curve for oscillating-mirror scanners

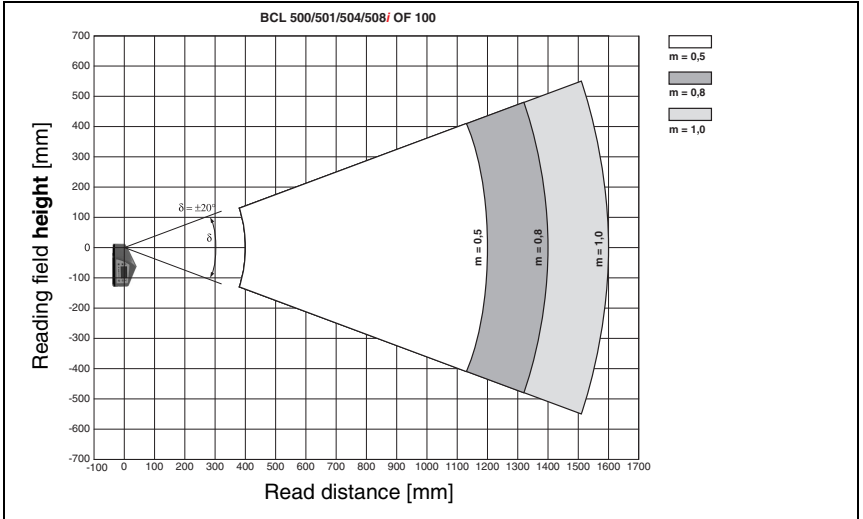


Figure 5.14: Lateral "Low Density" reading field curve for oscillating-mirror scanners

The reading field curves apply for the reading conditions stated in table 5.9.

5.6.7 Ultra Low Density (L) Optics: BCL 500*i* \ BCL 501*i* SL 102

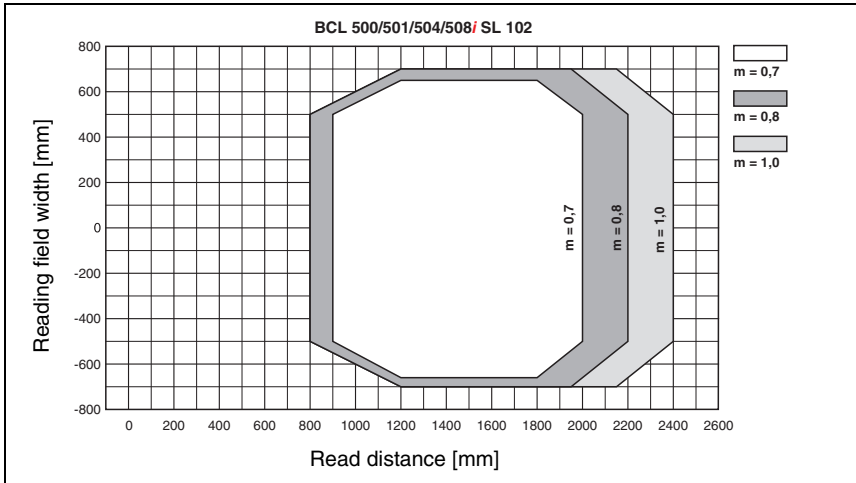


Figure 5.15: "Ultra Low Density" reading field curve for line scanner without deflection mirror

The reading field curves apply for the reading conditions stated in table 5.9.

5.6.8 Ultra Low Density (L) Optics: BCL 500*i* \ BCL 501*i* / OL 100

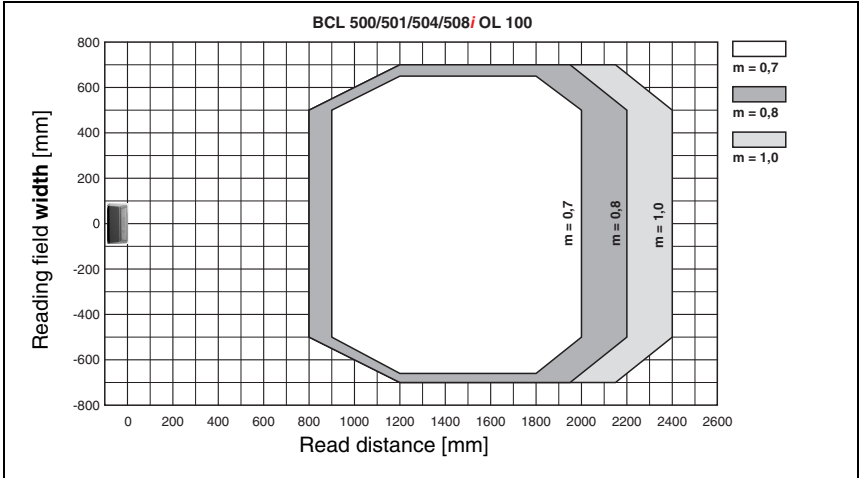


Figure 5.16: "Ultra Low Density" reading field curve for oscillating-mirror scanners

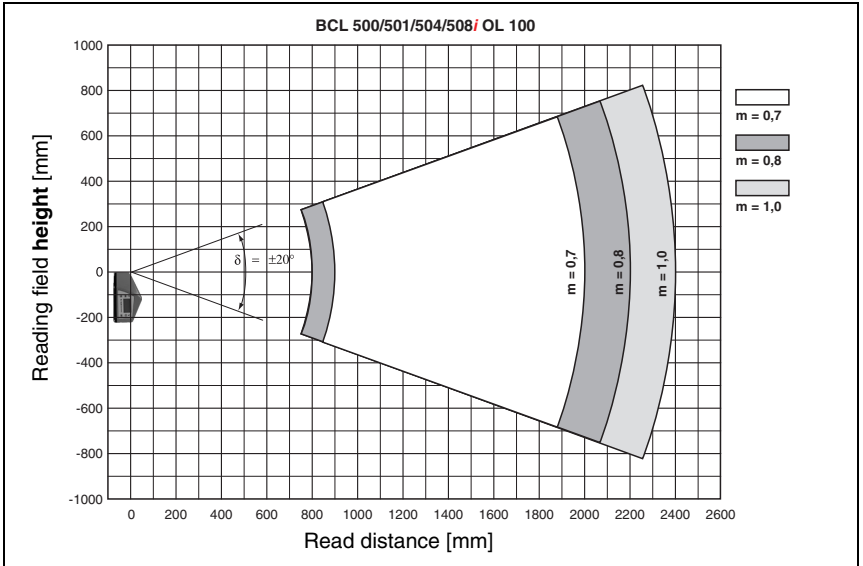


Figure 5.17: Lateral "Ultra Low Density" reading field curve for oscillating-mirror scanners

The reading field curves apply for the reading conditions stated in table 5.9.

## 5.7 Reading field curves for heating devices

The reading field curves of the heating devices differ to some extent from the normal reading curves due to the optics heating and are somewhat reduced in the reading field width as well as in the reading field height!

- **The maximum opening angle** for all oscillating and deflection mirror devices (BCL 500*i* \ BCL 501*i*...100 H) is **reduced to  $\pm 28^\circ$**  (without heating =  $\pm 30^\circ$ ).
- **In addition, the maximum swivel range** for all oscillating mirror devices (BCL 500*i* \ BCL 501*i* / O...100 H) is **reduced to  $\pm 12^\circ$**  (without heating =  $\pm 20^\circ$ ). The deflection mirror models (BCL 500*i* \ BCL 501*i* / S...100 H) are not affected by this limitation.
- The reading field curves and opening angles are unchanged for all line scanners with heating (BCL 500*i* \ BCL 501*i* / S...102 H), .

For details, please refer to the following reading field curves for the heating devices.

### 5.7.1 High Density (N) Optics: BCL 500*i* \ BCL 501*i* / SN 102 H

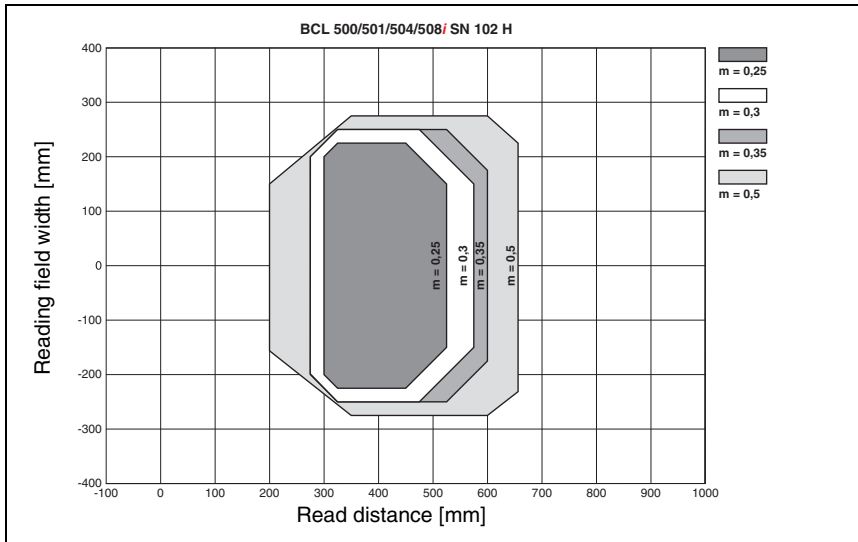


Figure 5.18: "High Density" reading field curve for line scanner with heating (without deflection mirror)

The reading field curve applies for the reading conditions stated in table 5.9.

5.7.2 High Density (N) Optics: BCL 500*i* \ BCL 501*i* SN 100 H

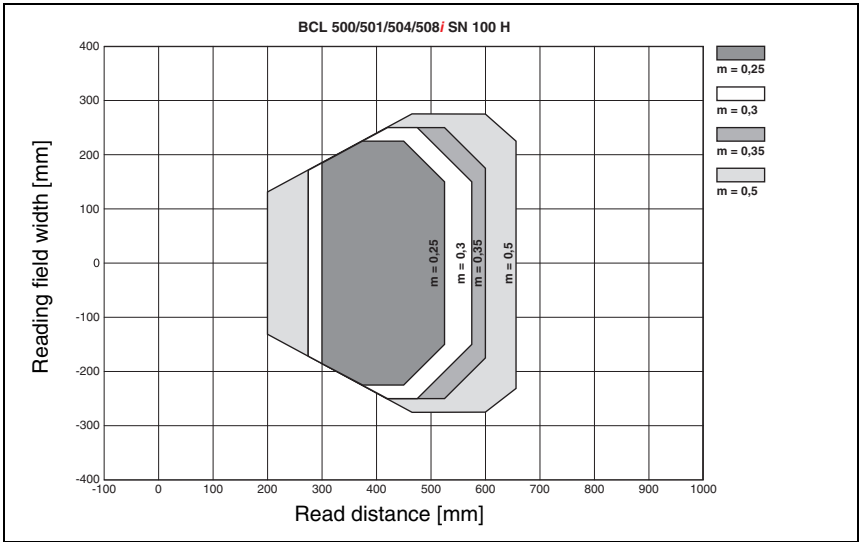


Figure 5.19: "High Density" reading field curve for line scanner with heating (with deflection mirror)

The reading field curve applies for the reading conditions stated in table 5.9.



5.7.3 High Density (N) Optics: BCL 500*i* \ BCL 501*i* / ON 100 H

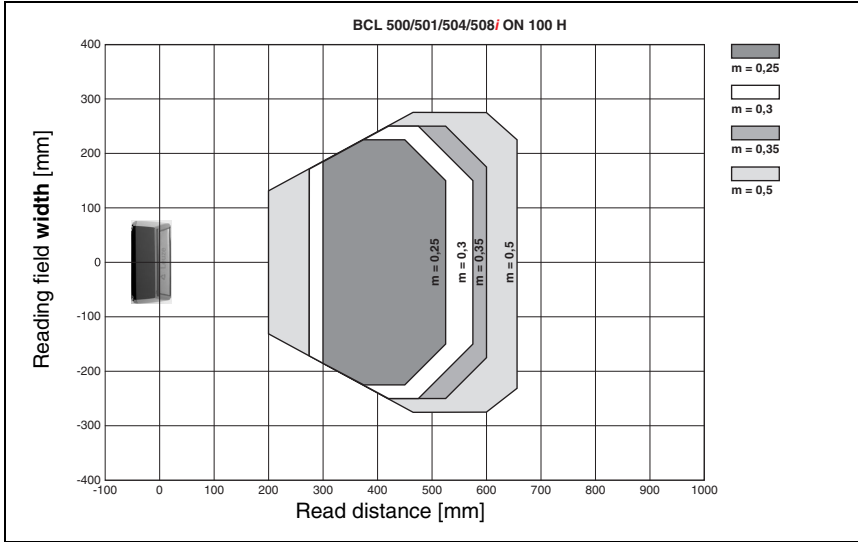


Figure 5.20: "High Density" reading field curve for oscillating-mirror scanners with heating

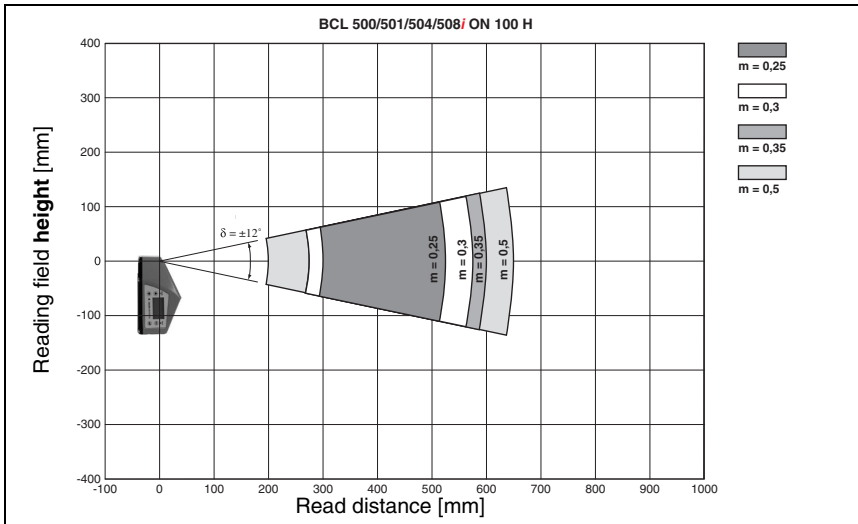


Figure 5.21: Lateral "High Density" reading field curve for oscillating-mirror scanners with heating

The reading field curves apply for the reading conditions stated in table 5.9.

5.7.4 Medium Density (M) Optics: BCL 500/i \ BCL 501/i SM 102 H

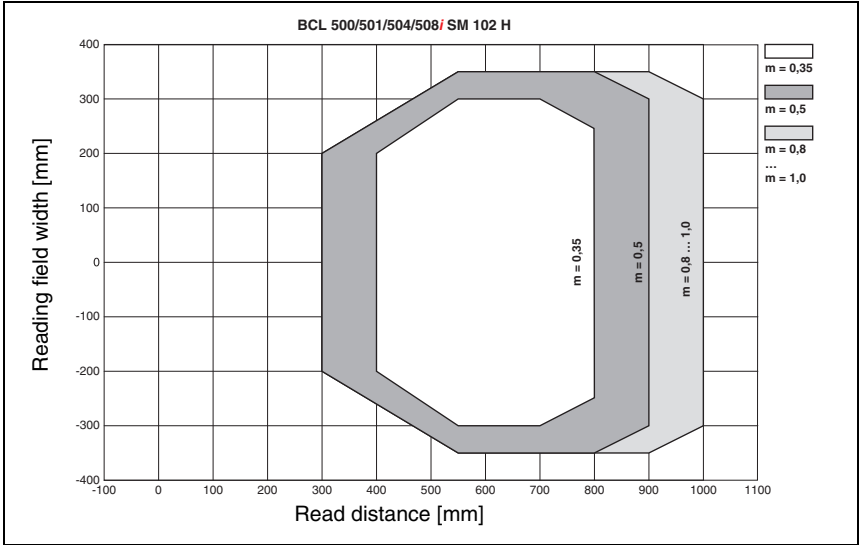


Figure 5.22: "Medium Density" reading field curve for line scanner with heating (without deflection mirror)

The reading field curves apply for the reading conditions stated in table 5.9.

5.7.5 Medium Density (M) Optics: BCL 500*i* \ BCL 501*i* SM 100 H

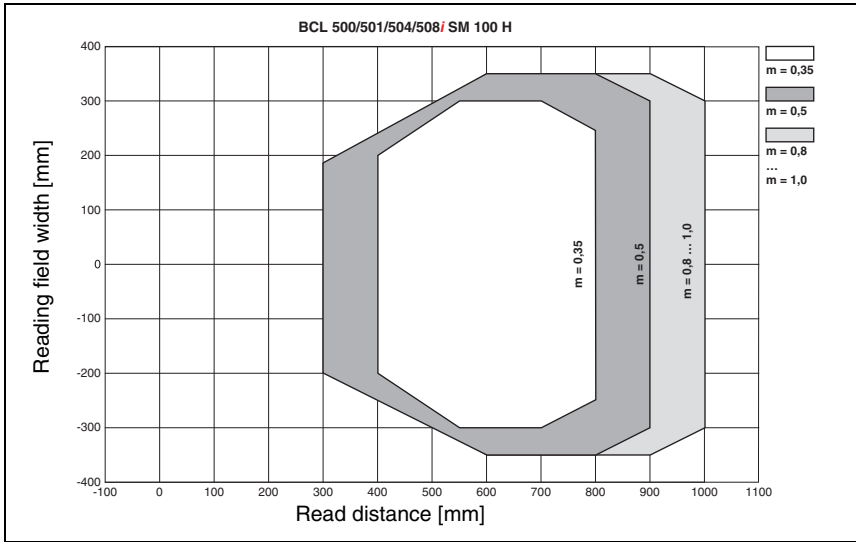


Figure 5.23: "Medium Density" reading field curve for line scanner with heating (with deflection mirror)

The reading field curves apply for the reading conditions stated in table 5.9.

5.7.6 Medium Density (M) Optics: BCL 500*i* \ BCL 501*i* / OM 100 H

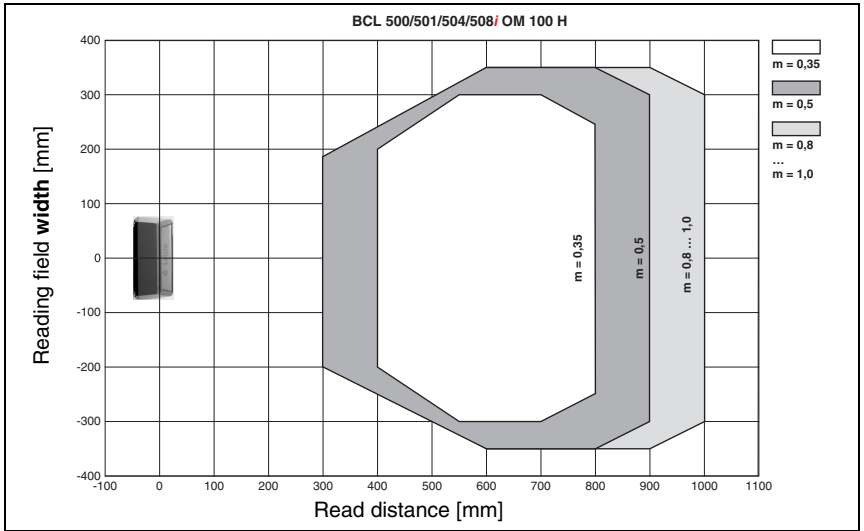


Figure 5.24: "Medium Density" reading field curve for oscillating-mirror scanners with heating

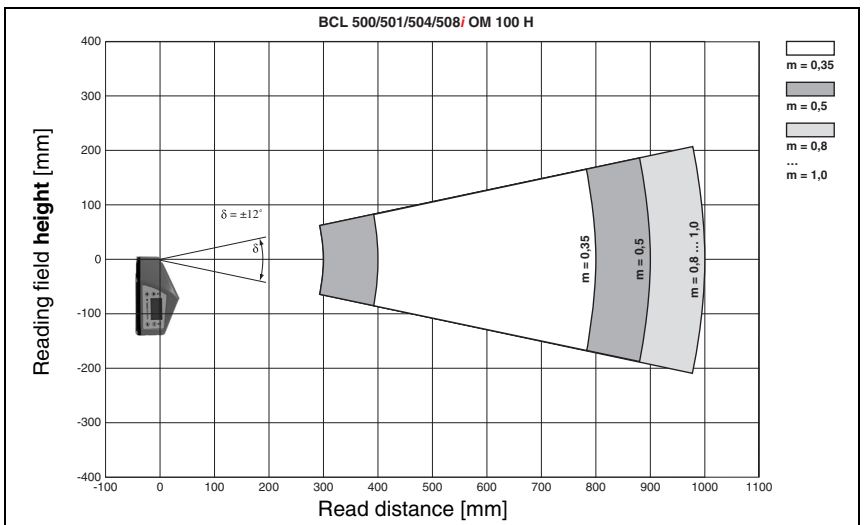


Figure 5.25: Lateral "Medium Density" reading field curve for oscillating-mirror scanners with heating

The reading field curves apply for the reading conditions stated in table 5.9.

5.7.7 Low Density (F) Optics: BCL 500*i* \ BCL 501*i* / SF 102 H

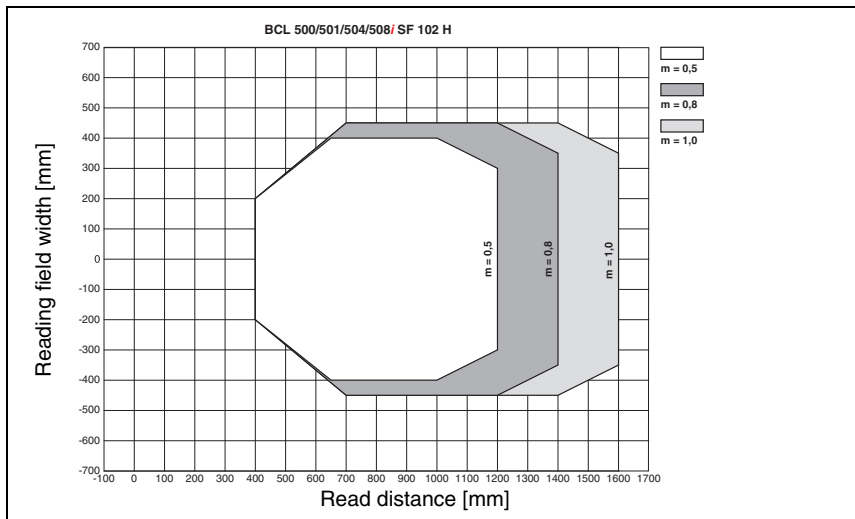


Figure 5.26: "Low Density" reading field curve for line scanner with heating (without deflection mirror)

The reading field curves apply for the reading conditions stated in table 5.9.

5.7.8 Low Density (F) Optics: BCL 500/i \ BCL 501/i / SF 100 H

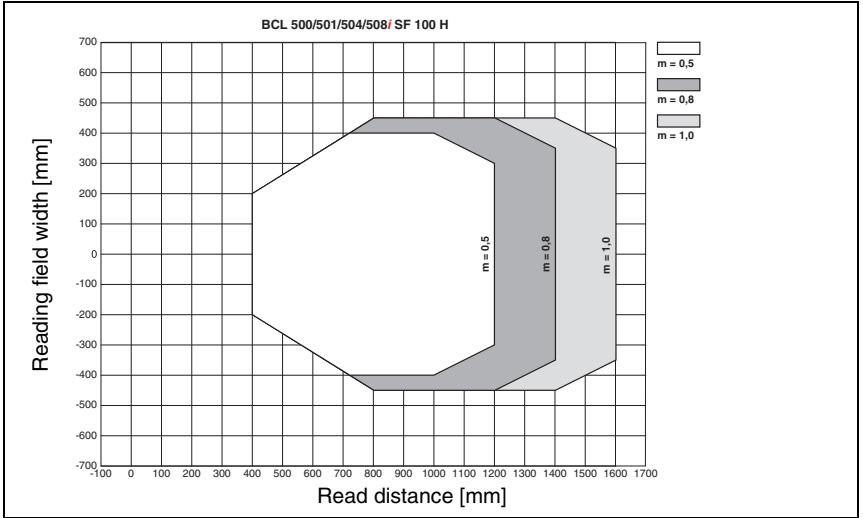


Figure 5.27: "Low Density" reading field curve for line scanner with heating (with deflection mirror)

The reading field curves apply for the reading conditions stated in table 5.9.

5.7.9 Low Density (F) Optics: BCL 500*i* \ BCL 501*i* / OF 100 H

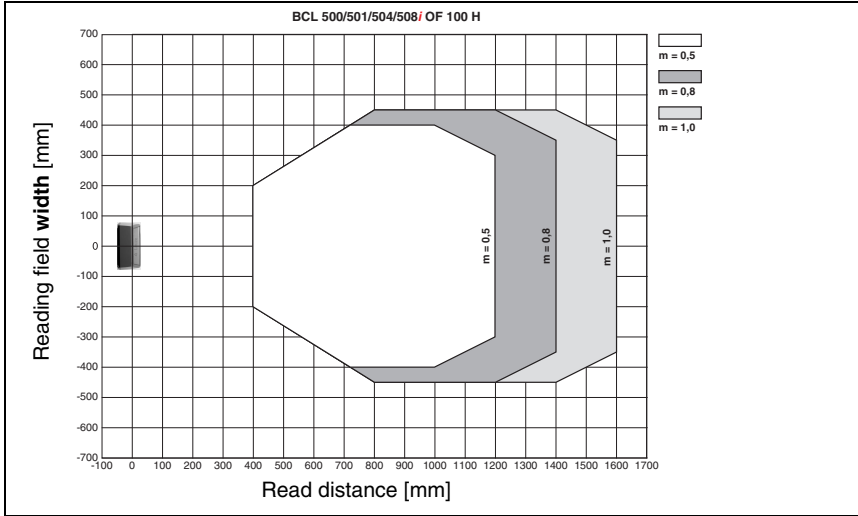


Figure 5.28: "Low Density" reading field curve for oscillating-mirror scanners with heating

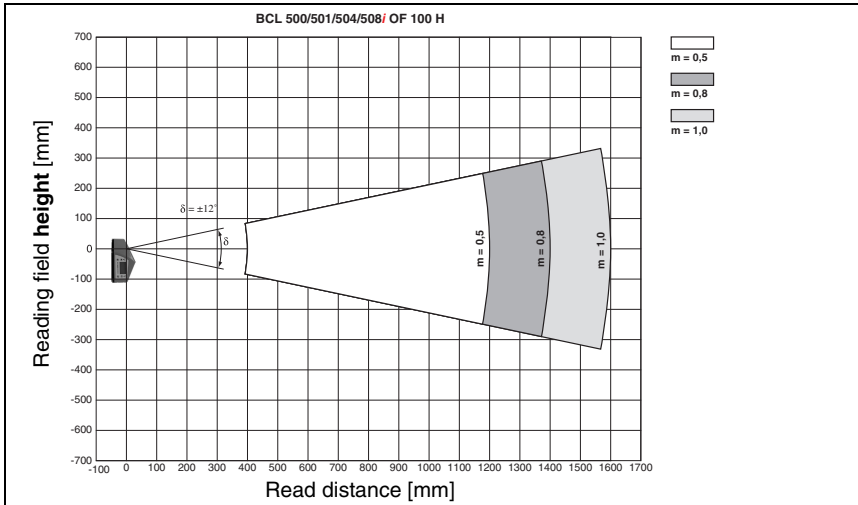


Figure 5.29: Lateral "Low Density" reading field curve for oscillating-mirror scanners with heating

The reading field curves apply for the reading conditions stated in table 5.9.

5.7.10 Ultra Low Density (L) Optics: BCL 500*i* \ BCL 501*i* / SL 102 H

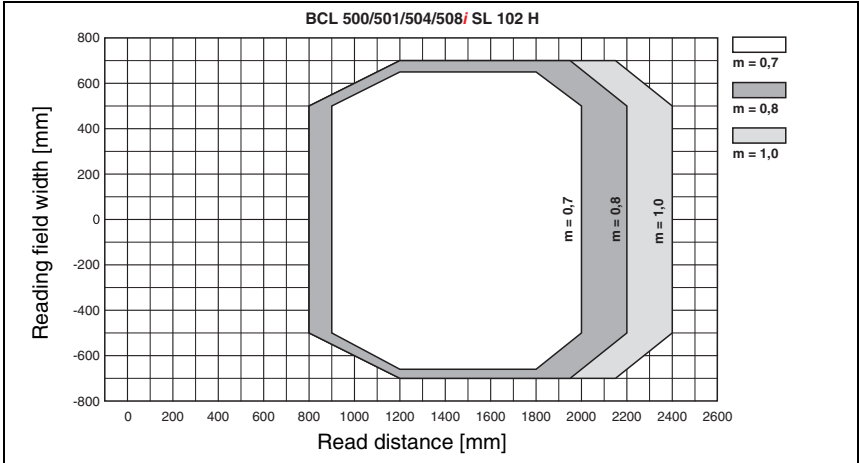


Figure 5.30: "Ultra Low Density" reading field curve for line scanner with heating (without deflection mirror)

The reading field curves apply for the reading conditions stated in table 5.9.



5.7.11 Ultra Low Density (L) Optics: BCL 500*i* \ BCL 501*i* OL 100 H

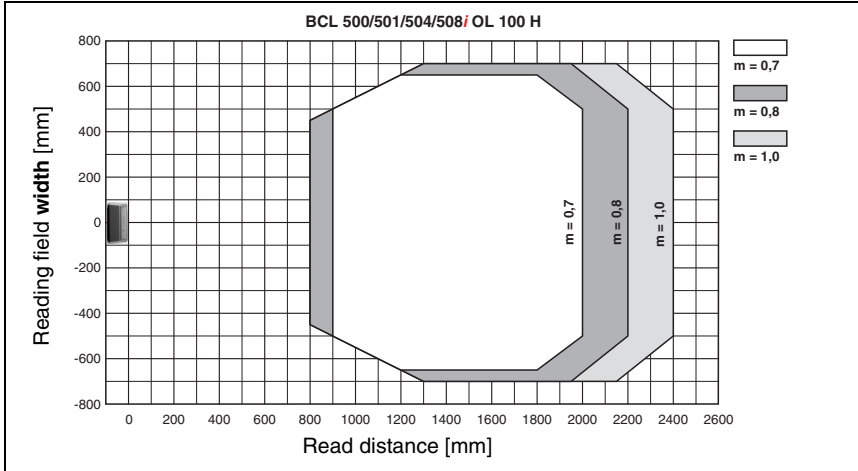


Figure 5.31: "Ultra Low Density" reading field curve for oscillating-mirror scanners with heating

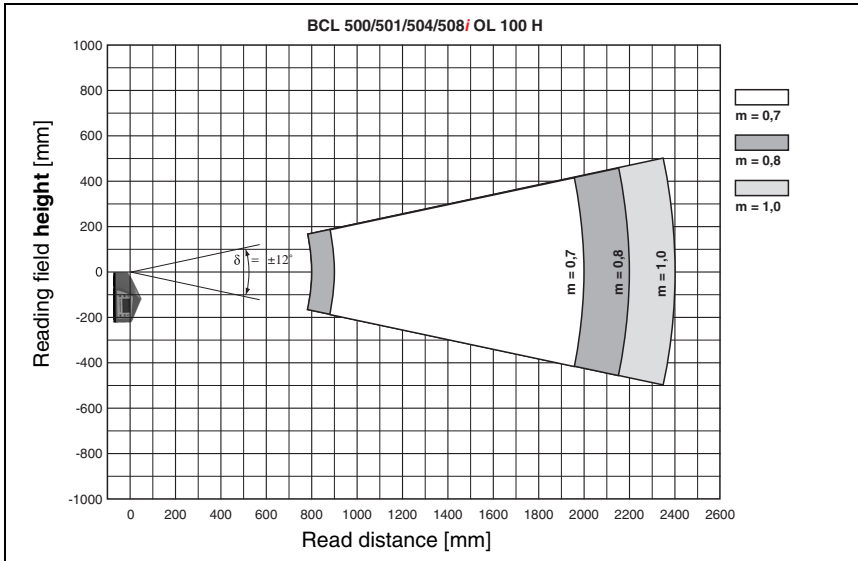


Figure 5.32: Lateral "Ultra Low Density" reading field curve for oscillating-mirror scanners with heating

The reading field curves apply for the reading conditions stated in table 5.9.

## 6 Installation and mounting

### 6.1 Storage, transportation



**Attention!**

When transporting or storing, package the device so that it is protected against collision and humidity. Optimum protection is achieved when using the original packaging. Heed the required environmental conditions specified in the technical data.

**Unpacking**

- ↪ Check the packaging for any damage. If damage is found, notify the post office or shipping agent as well as the supplier.
- ↪ Check the delivery contents using your order and the delivery papers:
  - Delivered quantity
  - Device type and model as indicated on the nameplate
  - Laser warning signs
  - Brief manual

The name plate provides information as to what BCL type your device is. For specific information, please refer to chapter 5.

**Name plates of the barcode readers of the BCL 500*i* series**

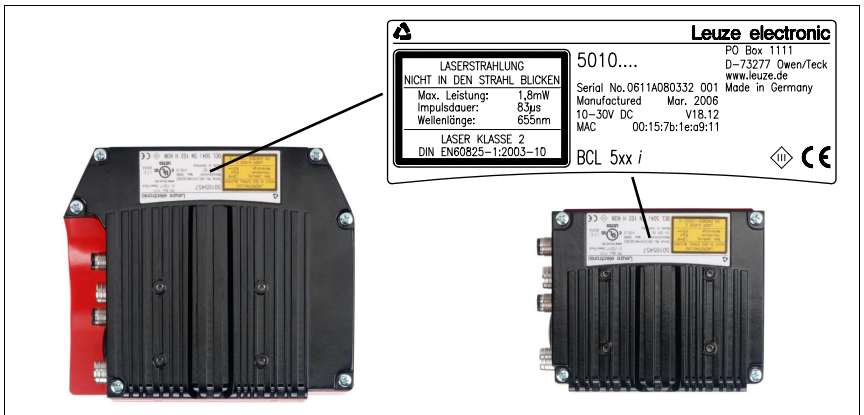


Figure 6.1: Device name plate BCL 500*i* \ BCL 501*i*

- ↪ Save the original packaging for later storage or shipping.

If you have any questions concerning your shipment, please contact your supplier or your local Leuze electronic sales office.

- ↪ Observe the applicable local regulations when disposing of the packaging materials.

## 6.2 Mounting the BCL 500*i* \ BCL 501*i*

The BCL 500*i* \ BCL 501*i* barcode readers can be mounted in two different ways:

- Using two M4x6 screws on the rear of the device or using four M4x6 screws on the bottom of the device.
- Using a BT 56 mounting device on the two fastening grooves.

### 6.2.1 Fastening with M4 x 6 screws

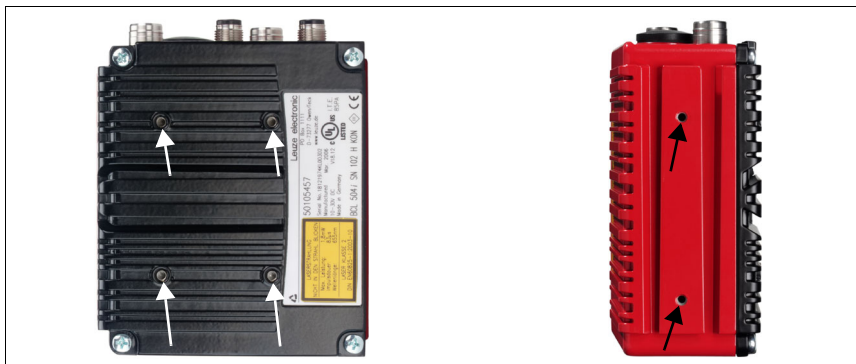


Figure 6.2: Fastening options using M4x6 threaded holes

**6.2.2 BT 56 mounting device**

The BT 56 mounting device is available for mounting the BCL 500*i* \ BCL 501*i* using the fastening grooves. It is designed for rod installation (Ø 16mm to 20mm). For ordering instructions, please refer to chapter "Type overview and accessories" on page 141.

**BT 56 mounting device**

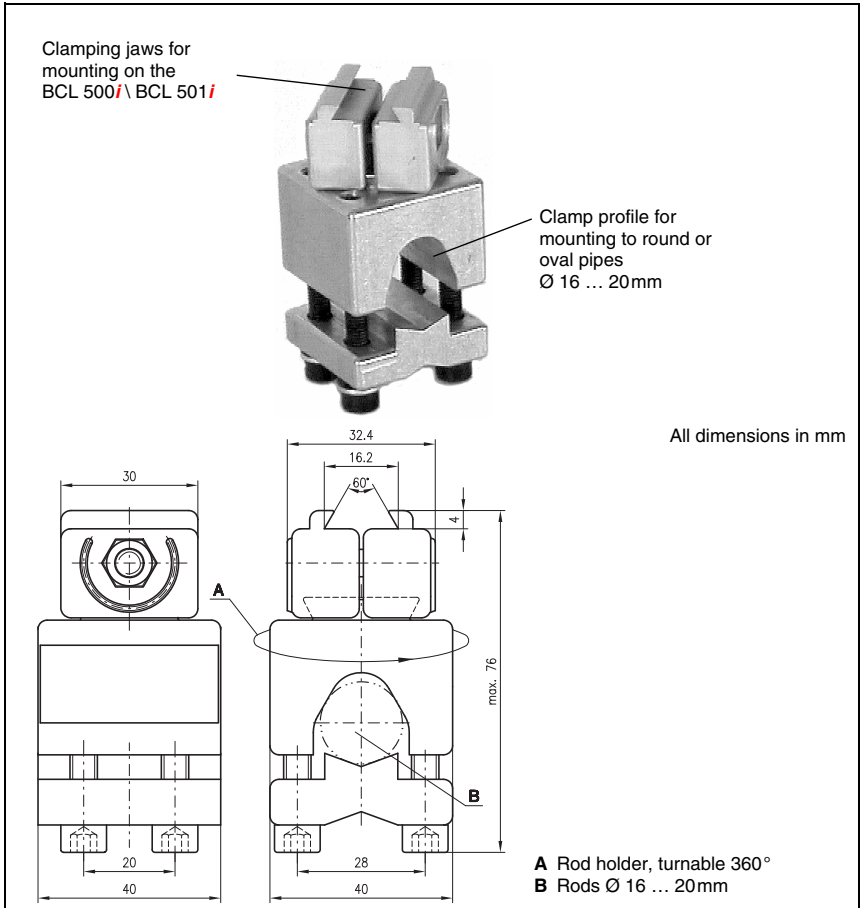


Figure 6.3: BT 56 mounting device



Figure 6.4: Mounting example BCL 500i \ BCL 501i



### **Notice!**

*When mounting, ensure that the scanning beam is not reflected directly back to the scanner by the label which is being read. For further information, see the notices in chapter 6.3!: Please refer to chapter 5.6 for the permissible minimum and maximum distances between the BCL 500i \ BCL 501i and the labels to be read.*

## **6.3 Device arrangement**

### **6.3.1 Selecting a mounting location**

In order to select the right mounting location, several factors must be considered:

- Size, orientation, and position tolerance of the barcodes on the objects to be scanned.
- The reading field of the BCL 500i \ BCL 501i in relation to the barcode module width.
- The resulting minimum and maximum reading distance from the respective reading field (see chapter 5.5 "Reading field curves / optical data").
- The permissible line lengths between the BCL 500i \ BCL 501i and the host system depending on which interface is used.
- The correct time for data output. The BCL 500i \ BCL 501i should be positioned in such a way that, taking into consideration the time required for data processing and the conveyor belt speed, there is sufficient time to e.g. initiate sorting operations on the basis of the read data.
- The display and control panel should be very visible and accessible.
- For configuring and commissioning with the webConfig tool, the USB interface should be easily accessible.

For specific information, please refer to chapter 4.4.

**Notice!**

The beam exits the BCL 500*i* \ BCL 501*i* as follows for the respective devices:

- line scanner **parallel** to the **housing base**
  - oscillating mirror and deflection mirror **perpendicular** to the **housing base**
- The black areas in figure 6.1 are the housing base. The best read results are obtained when:

- The BCL 500*i* \ BCL 501*i* is mounted in such a way that the scanning beam is incident on the barcode at an angle of inclination greater than  $\pm 10^\circ \dots 15^\circ$  to vertical.
- The reading distance lies in the middle area of the reading field.
- The barcode labels are of good print quality and have good contrast ratios.
- You do not use high-gloss labels.
- There is no direct sunlight.

### 6.3.2 Avoiding total reflection – Line scanner

The barcode label must be positioned at an angle of inclination greater than  $\pm 10^\circ \dots 15^\circ$  from vertical in order to avoid total reflection of the laser beam (see figure 6.5)!

Total reflection occurs whenever the laser light of the barcode reader is directly incident on the surface of the barcode at an angle of  $90^\circ$ . The light directly reflected by the barcode may overload the barcode reader and thereby cause non-readings!

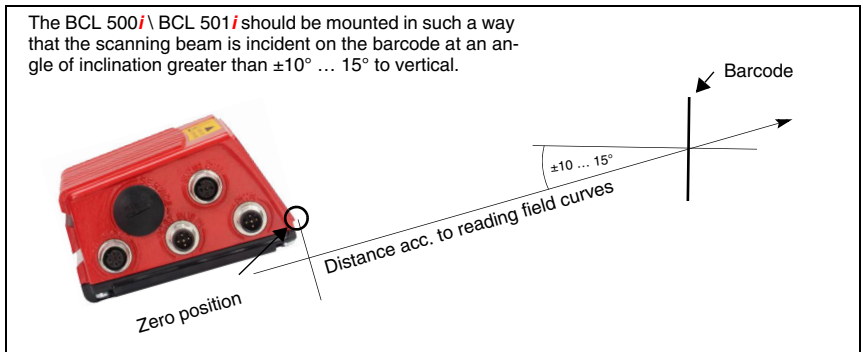


Figure 6.5: Total reflection – line scanner

### 6.3.3 Avoiding total reflection – oscillating/deflection-mirror scanner

For the BCL 500*i* \ BCL 501*i* with **oscillating/deflection mirror**, the laser beam exits at an angle of  **$90^\circ$  to vertical**.

For the BCL 500*i* \ BCL 501*i* with **deflection mirror**, it is also possible to **use software to adjust the direction of the beam by  $\pm 10^\circ$** .

For the BCL 500*i* \ BCL 501*i* with **oscillating mirror**, the **swivel range of  $\pm 20^\circ$  ( $\pm 12^\circ$  for devices with heating) is to be taken into account**.

This means that in order to be on the safe side and to avoid total reflection, the BCL 500*i* \ BCL 501*i* with oscillating/deflection mirror must be inclined upward or downward  $20^\circ \dots 30^\circ$ !



**Notice!**

Mount the BCL 500*i* \ BCL 501*i* with oscillating/deflection mirror in such a way that the outlet window of the barcode reader is parallel to the object. This will result in an angle of inclination of approx. 25°.

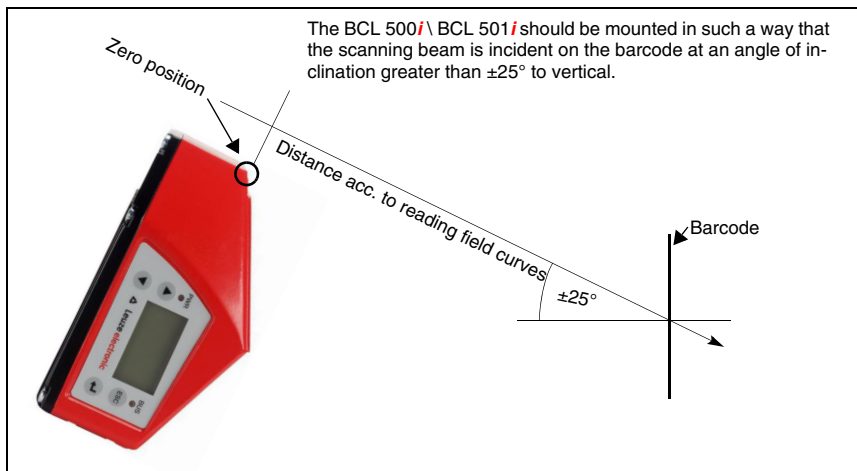



Figure 6.6: Total reflection – BCL 500*i* \ BCL 501*i* with oscillating/deflection mirror

**6.3.4 Mounting location**

 When selecting a mounting location, pay attention to:

- Maintaining the required environmental conditions (temperature, humidity).
- Possible soiling of the reading window due to liquids, abrasion by boxes, or packaging material residues.
- Lowest possible chance of damage to the BCL 500*i* \ BCL 501*i* by mechanical collision or jammed parts.
- Possible extraneous light (no direct sunlight or sunlight reflected by the barcode).

**6.3.5 Devices with integrated heating**

 For devices with integrated heating, also observe the following points:

- Mount the BCL 500*i* \ BCL 501*i* in a way which provides maximum thermal isolation, e.g. using rubber-bonded metal.
- Mount in such a way that the device is protected from draughts and wind; mount additional shields if necessary.



**Notice!**

When installing the BCL 500*i* \ BCL 501*i* in a protective housing, it must be ensured that the scanning beam can exit the protective housing without obstruction.

**6.3.6 Maximum permissible read angles between BCL 500*i* \ BCL 501*i* and barcode**

The optimum alignment of the BCL 500*i* \ BCL 501*i* is accomplished when the scan line scans the code bars almost at a right angle (90°). All read angles that are possible between the scan line and barcode must be taken account (figure 6.7).

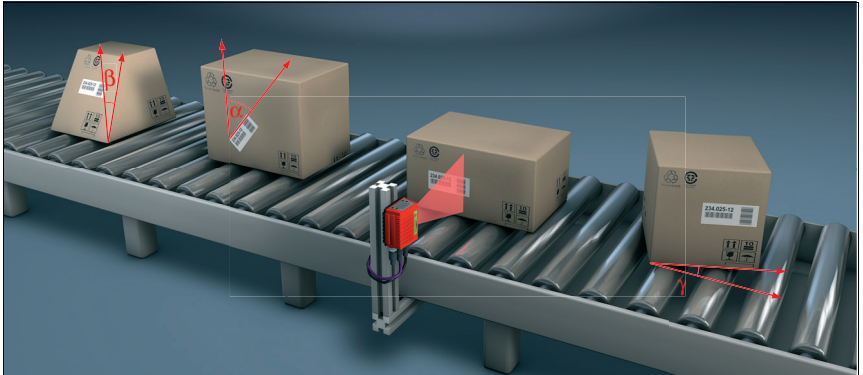


Figure 6.7: Reading angle for the line scanner

**α** Tilt - max. 45°

**β** Pitch - max. 45°

**γ** Skew - max. 45°

In order to avoid total reflection, the skew  $\gamma$  should be greater than 10°

**6.4 Attaching laser warning sign**



**Attention Laser!**

Follow the safety notices in chapter 2.

- ↳ It is important that you attach the sticky labels supplied to the device (laser warning signs and laser emission symbol)! If the signs would be covered due to the installation situation of the BCL 500*i* \ BCL 501*i*, attach them instead in the immediate vicinity of the BCL 500*i* \ BCL 501*i* in such a way that it is not necessary to look into the laser beam when reading the notices!

**6.5 Cleaning**

- ↳ Clean the glass window of the BCL 500*i* \ BCL 501*i* with a soft cloth after mounting. Remove all packaging remains, e.g. carton fibres or Styrofoam balls. In doing so, avoid leaving fingerprints on the front cover of the BCL 500*i* \ BCL 501*i*.



**Attention!**

Do not use aggressive cleaning agents such as thinner or acetone for cleaning the device.



## 7 Electrical connection

The barcode readers of the BCL 500*i* series are connected using variously coded M12 connectors. This ensures unique connection assignments.

The additional USB interface is used for configuring the device.

The two product series BCL 500*i* and BCL 501*i* differ in their interfaces and in their function as multiNet plus **master** or **slave**.

	HOST / BUS IN	BUS OUT
BCL 500 <i>i</i> (Stand alone or multiNet plus <b>master</b> )	RS 232 / RS 422	RS 485
BCL 501 <i>i</i> (multiNet plus <b>slave</b> )	RS 485	RS 485

For the locations of the individual device connections, please refer to the device detail shown below.



### **Notice!**

*The corresponding mating connectors and ready-made cables are available as accessories for all connections. For additional information, refer to chapter chapter 13.*

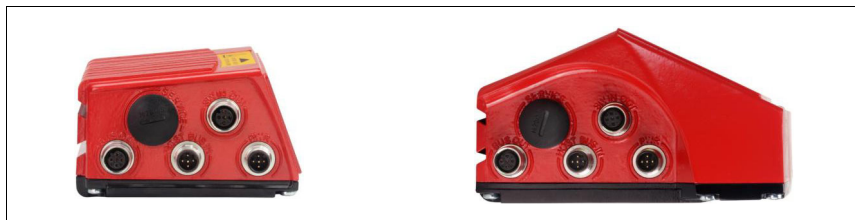


Figure 7.1: Location of the electrical connections

## 7.1 Safety notices for the electrical connection

**Attention!**

*Do not open the device yourself under any circumstances! There is otherwise a risk of uncontrolled emission of laser radiation from the device. The housing of the BCL 500i \ BCL 501i contains no parts that need to be adjusted or maintained by the user.*

*Before connecting the device, be sure that the supply voltage agrees with the value printed on the name plate.*

*Connection of the device and cleaning must only be carried out by a qualified electrician.*

*Ensure that the functional earth (FE) is connected correctly. Unimpaired operation is only guaranteed when the functional earth is connected properly.*

*If faults cannot be corrected, the device should be removed from operation and protected against possible use.*

**Attention!**

*For UL applications, use is permitted exclusively in Class 2 circuits according to NEC (National Electric Code).*



*The barcode readers of the BCL 500i series are designed in accordance with safety class III for supply by PELV (protective extra-low voltage with reliable disconnection).*

**Notice!**

*Protection class IP 65 is achieved only if the connectors and caps are screwed into place!*

## 7.2 Electrical connection of the BCL 500*i*

As "stand alone" or multiNet plus "master" participant, the BCL 500*i* is equipped with four M12 plugs/sockets which are A- and B-coded.

The voltage supply (**PWR**) as well as the four freely configurable switching inputs/outputs (**SW IN/OUT** and **PWR**) are connected there.

An RS 232 or an RS 422 is available for connection to the host system as "HOST / BUS IN" interface. Available as a second physical "BUS OUT" interface is an RS 485 for setting up the Leuze multiNet plus scanner network. The BCL 500*i* is suited for use in the Leuze multiNet plus as network master/multiScan master.

A USB connection serves as a "SERVICE" interface.

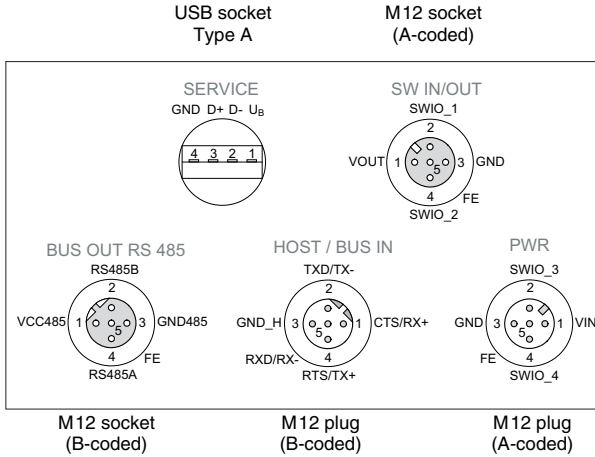


Figure 7.2: Connections of the BCL 500*i*

Described in detail in the following are the individual connections and pin assignments.

7.2.1 PWR – Voltage supply and switching input/outputs 3 and 4

PWR (5-pin plug, A-coded)			
	Pin	Name	Remark
<p>PWR</p> <p>SWIO_3</p> <p>GND 3</p> <p>FE 5</p> <p>SWIO_4</p> <p>M12 plug (A-coded)</p>	1	VIN	Positive supply voltage +10 ... +30VDC
	2	SWIO_3	Configurable switching input / output 3
	3	GND	Negative supply voltage 0VDC
	4	SWIO_4	Configurable switching input / output 4
	5	FE	Functional earth
	Thread	FE	Functional earth (housing)

Table 7.1: Pin assignment PWR

**Supply voltage**



**Attention!**

For UL applications, use is permitted exclusively in Class 2 circuits according to NEC (National Electric Code).



The barcode readers of the BCL 500*i* ... series are designed in accordance with safety class III for supply by PELV (protective extra-low voltage with reliable disconnection).

**Connecting functional earth FE**

↳ Ensure that the functional earth (FE) is connected correctly. Unimpaired operation is only guaranteed when the functional earth is connected properly. All electrical disturbances (EMC couplings) are discharged via the functional earth connection.

**Switching input / output**

The barcode readers of the BCL 500*i* series are equipped with four freely programmable, opto-decoupled switching inputs and outputs **SWIO\_1 ... SWIO\_4**.

The switching inputs can be used to activate various internal functions of the BCL 500*i* \ BCL 501*i* (decoding, autoConfig, ...). The switching outputs can be used to signal the state of the BCL 500*i* \ BCL 501*i* and to implement external functions independent of the primary control.

The two switching inputs/outputs **SWIO\_1** and **SWIO\_2** are located on the **SW IN/OUT** M12 socket and are described in chapter 7.2.3. The other two (**SWIO\_3** and **SWIO\_4**) of the four freely configurable switching inputs/outputs are located on the **PWR** M12 connector.



**Notice!**

The respective function as input or output can be set via the display or with the aid of the "webConfig" configuration tool!

Described in the following is the external wiring for use as a switching input or output; the respective function assignments to the switching inputs/outputs can be found in chapter 10.

**Function as switching input**

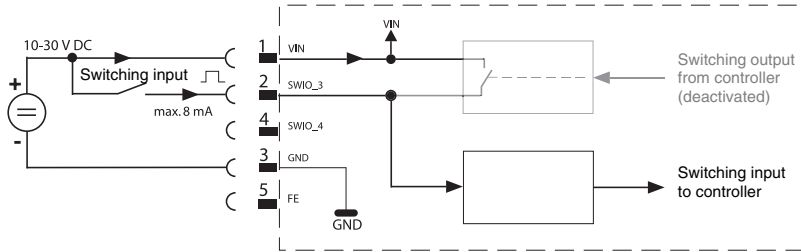



Figure 7.1: Switching input connection diagram SWIO\_3 and SWIO\_4

 If you use a sensor with a standard M12 connector, please note the following:

- Pins 2 and 4 must not be operated as switching outputs if sensors which function as inputs are also connected to these pins.

If, for example, the inverted sensor output is connected to pin 2, and pin 2 of the barcode reader is, at the same time, configured as an output (and not as an input), the switching output malfunctions.



**Attention!**

The maximum input current must not exceed 8mA!

**Function as switching output**

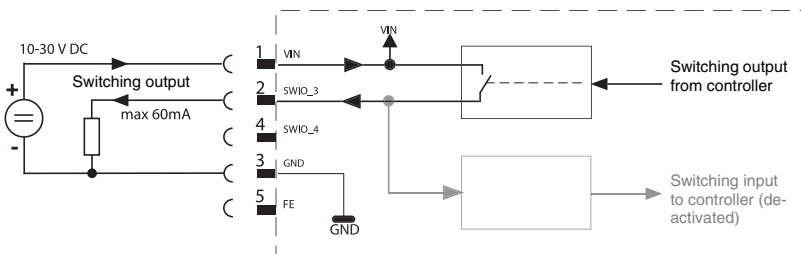


Figure 7.2: Switching output connection diagram SWIO\_3 / SWIO\_4



**Attention!**

Each configured switching output is short-circuit proof! Do not load the respective switching output of the BCL 500*i* with more than 60mA at +10 ... +30 VDC in normal operation!



**Notice!**

Both switching inputs/outputs SWIO\_3 and SWIO\_4 are configured by default in such a way that:

- Switching input SWIO\_3 activates the reading gate.
- Switching output SWIO\_4 switches by default on "No Read"

7.2.2 SERVICE – USB interface (type A)

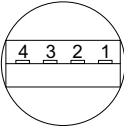
SERVICE – USB interface (type A )			
SERVICE GND D+ D- U <sub>B</sub>	Pin	Name	Remark
	1	VB	Positive supply voltage +5VDC
	2	D-	Data -
	3	D+	Data +
	4	GND	Ground

Table 7.2: Pin assignments of SERVICE – USB interface



**Attention!**

Maximum load of the +5VDC supply voltage of the Service - USB interface is 200mA!

↳ Ensure adequate shielding.

The entire connection cable must absolutely be shielded acc. to the USB specifications. Line length must not exceed 3m.

↳ Use the Leuze-specific **USB service cable** (see chapter 13 "Type overview and accessories") for the connection and use a service PC to configure.



**Notice!**

IP 65 is achieved only if the connectors and caps are screwed into place. Alternatively, a parameter memory in the form of a USB memory stick certified by Leuze electronic GmbH + Co. can be connected to the provided USB service interface. With this Leuze memory stick, protection class IP 65 is also ensured. For further information, please refer to chapter 4.9 and chapter 10.4.2 of this documentation!

7.2.3 SW IN/OUT – Switching input/switching output

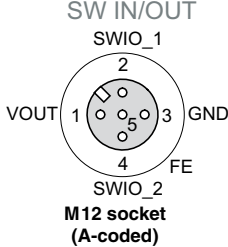
SW IN/OUT (5-pin socket, A-coded)			
	Pin	Name	Remark
 <p>SW IN/OUT</p> <p>SWIO_1</p> <p>VOUT 1 2 3 GND</p> <p>4 FE</p> <p>SWIO_2</p> <p>M12 socket (A-coded)</p>	1	VOUT	Voltage supply for sensors (VOUT identical to VIN at PWR IN)
	2	SWIO_1	Configurable switching input / output 1
	3	GND	GND for the sensors
	4	SWIO_2	Configurable switching input / output 2
	5	FE	Functional earth
	Thread	FE	Functional earth (housing)

Table 7.3: Pin assignment SW IN/OUT

The barcode readers of the BCL 500*i* series are equipped with four freely programmable, opto-decoupled switching inputs and outputs **SWIO\_1 ... SWIO\_4**.

The two switching inputs/outputs **SWIO\_1** and **SWIO\_2** are located on the **SW IN/OUT** M12 socket. The other two (**SWIO\_3** and **SWIO\_4**) of the four freely configurable switching inputs/outputs are located on the **PWR** M12 connector and are described in chapter 7.2.1.

Described in the following is the external wiring for use as a switching input or output; the respective function assignments to the switching inputs/outputs can be found in chapter 10.

**Function as switching input**

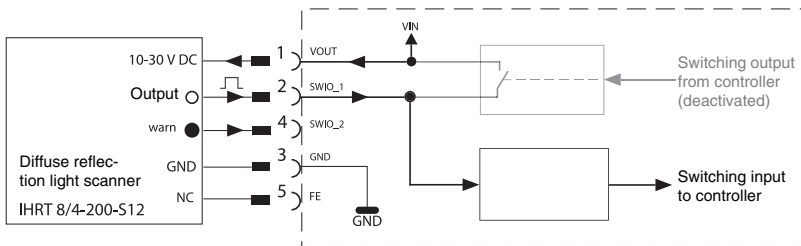


Figure 7.3: Switching input connection diagram SWIO\_1 and SWIO\_2

 If you use a sensor with a standard M12 connector, please note the following:

- Pins 2 and 4 must not be operated as switching outputs if sensors which function as inputs are also connected to these pins.

If, for example, the inverted sensor output is connected to pin 2, and pin 2 of the barcode reader is, at the same time, configured as an output (and not as an input), the switching output malfunctions.



**Attention!**

The maximum input current must not exceed 8mA!

**Function as switching output**

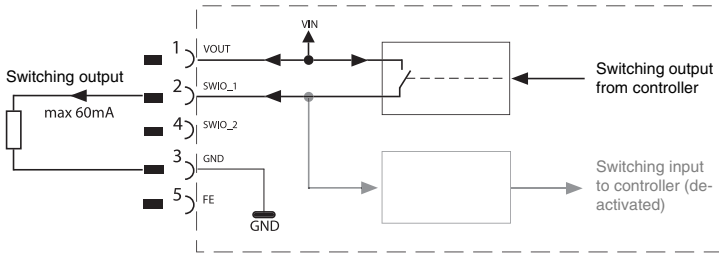


Figure 7.4: Switching output connection diagram SWIO\_1 / SWIO\_2



**Attention!**

Each configured switching output is short-circuit proof! Do not load the respective switching output of the BCL 500*i* with more than 60mA at +10 ... +30VDC in normal operation!



**Notice!**

Both switching inputs/outputs SWIO\_1 and SWIO\_2 are configured by default in such a way that they function as **switching inputs**:

- Switching input **SWIO\_1** activates the **start reading gate** function
- Switching input **SWIO\_2** activates the **reference code teach-in** function

The functions of the individual switching inputs/outputs are programmed via the display or via configuration in the webConfig tool under the Switching input or Switching output heading.

For further information, see also "Commissioning and configuration" on page 109.

**7.2.4 HOST / BUS IN for BCL 500*i***

The BCL 500*i* makes either the RS 232 or RS 422 interface available as host interface. This is selected via the display or the "webConfig" configuration software. The pin assignments change depending on the selected interface type, see table 7.4 and figure 7.5/figure 7.6.

HOST / BUS IN RS 232 / RS 422 (5-pin connector, B-coded)			
HOST / BUS IN	Pin	Name	Remark
<p><b>M12 plug (B-coded)</b></p>	1	CTS / RX+	CTS signal (RS 232) / RX+ (RS 422)
	2	TxD / Tx-	TXD signal (RS 232) / TX- (RS 422)
	3	GND_H	Reference potential 0 V for RS 232 / RS 422
	4	RTS/Tx+	RTS signal (RS 232) / TX+ (RS 422)
	5	RxD / Rx-	RxD signal (RS 232) / Rx- (RS 422)
Thread	FE	Functional earth (housing)	

Table 7.4: Pin assignment HOST / BUS IN BCL 500*i*



**RS 232 interface**

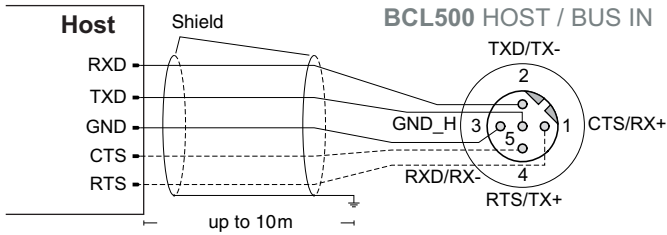


Figure 7.5: Pin assignments - HOST / BUS IN as RS 232



**Notice for connecting the RS 232 interface!**

Ensure adequate shielding. The entire connection cable must be shielded and earthed. The wiring for RTS and CTS must only be connected if RTS/CTS hardware handshake is used.

**RS 422 interface**

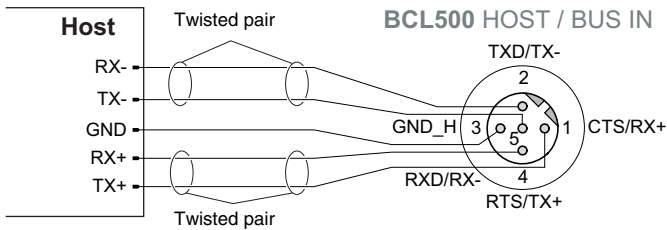


Figure 7.6: Pin assignments - HOST / BUS IN as RS 422



**Notice for connecting the RS 422 interface!**

Ensure adequate shielding. The entire connection cable must be shielded and earthed. The Rx+/Rx- and Tx+/Tx- wires must be stranded in pairs.

7.2.5 **BUS OUT for the BCL 500*i***

To set up the Leuze multiNet plus network with additional participants, the BCL 500*i* makes available another interface in the form of an RS 485.

BUS OUT RS 485 (5-pin socket, B-coded)			
	Pin	Name	Remark
<p>BUS OUT RS 485</p> <p>RS485B</p> <p>2</p> <p>VCC485 1 3 GND485</p> <p>4 FE</p> <p>RS485A</p> <p><b>M12 socket (B-coded)</b></p>	1	VCC485	+5VDC for bus termination (termination)
	2	RS 485 B	RS 485 B - signal line
	3	GND 485	Reference ground RS 485 - potential equalisation
	4	RS 485 A	RS 485 A - signal line
	5	FE	Functional earth / shield
	Thread	FE	Functional earth (housing)

Table 7.5: Pin assignment BUS OUT



**Notice!**

Ensure adequate shielding. The entire connection cable must be shielded and earthed. The signal lines must be stranded in pairs.

**Termination of the RS 485 interface at the master**

The RS 485 interface must always be externally terminated at the master with the use of a T-connector and a terminating resistor (see chapter 13 "Type overview and accessories").

**Termination of the RS 485 interface on the slave**

On the last network device, the Leuze multiNet plus network (RS 485 interface) should be terminated with a terminating resistor (see chapter 13 "Type overview and accessories") on the BUS OUT socket.



**Attention!**

The BCL 500*i* can only participate as a slave in the Leuze multiNet plus on the **BUS OUT** socket and via an external M12 T-connector! For further information, see chapter 7.4.3 and figure 7.9!

### 7.3 Electrical connection of the BCL 501*i*

As a **network slave participant**, the **BCL 501*i*** is equipped with four M12 plugs/sockets which are A- and B-coded.

There, the voltage supply (**PWR**), the four freely configurable switching inputs and outputs (**SW IN/OUT** and **PWR**), the Leuze multiNet plus interface (**HOST / BUS IN**) as well as the connection to another multiNet plus network device (**BUS OUT**) are carried out. A USB connection serves as a **SERVICE** interface.

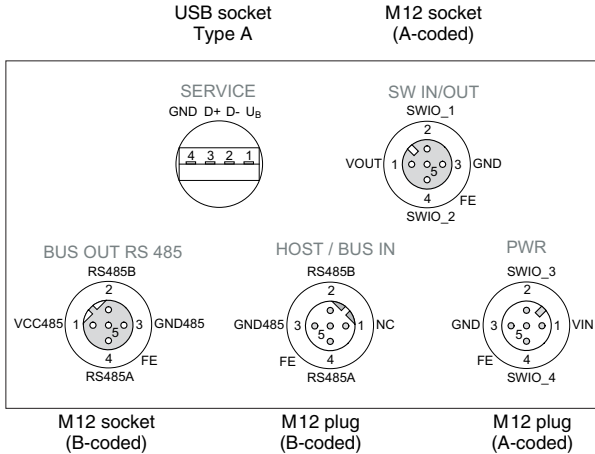


Figure 7.7: Connections of the BCL 501*i*

Described in detail in the following are the individual connections and pin assignments.

#### 7.3.1 PWR – Voltage supply and switching input/outputs 3 and 4

The PWR connection of the BCL 501*i* is identical to the PWR connection of the BCL 500*i* (see chapter 7.2.1).

#### 7.3.2 SERVICE – USB interface (type A)

The SERVICE - USB interface of the BCL 501*i* is identical to the SERVICE - USB interface of the BCL 500*i* (see chapter 7.2.2).

#### 7.3.3 SW IN/OUT – Switching input/switching output

The SW IN/OUT connection of the BCL 501*i* is identical to the SW IN/OUT connection of the BCL 500*i* (see chapter 7.2.3).

### 7.3.4 HOST / BUS IN for BCL 501*i*

The BCL 501*i* makes available an RS 485 as HOST / BUS IN interface for the connection to the host system. This interface is physically looped through to the BUS OUT RS 485 socket.

With its RS 485 interface, the BCL 501*i* is suitable for use in the Leuze multiNet plus scanner network.

HOST / BUS IN RS 485 (5-pin connector, B-coded)			
HOST / BUS IN	Pin	Name	Remark
<p>RS485B</p> <p>2</p> <p>3 5 1</p> <p>GND485</p> <p>FE</p> <p>4</p> <p>RS485A</p> <p>M12 plug (B-coded)</p> <p>Thread</p>	1	N.C.	Reserved
	2	RS 485 B	RS 485 B - signal line
	3	GND 485	Reference ground RS 485 - potential equalisation
	4	RS 485 A	RS 485 A - signal line
	5	FE	Functional earth / shield
	Thread	FE	Functional earth (housing)

Table 7.6: Pin assignment HOST / BUS IN BCL 501*i*

### 7.3.5 BUS OUT for the BCL 501*i*

To set up the Leuze multiNet plus network with additional participants, the BCL 501*i* makes available another socket with the RS 485 interface wired through from the HOST / BUS IN. The pin assignments are identical to those of the BUS OUT connection of the BCL 500*i* (see table 7.5 on page 79).



**Notice!**

Ensure adequate shielding. The entire connection cable must be shielded and earthed. The signal lines must be stranded in pairs.

**Termination of the RS 485 interface**

The BCL 501*i* functions as a slave in the Leuze multiNet plus network. At the last physical participant, the Leuze multiNet plus network (RS 485 interface) must be terminated with a terminating resistor (see chapter 13 "Type overview and accessories"). This prevents reflections on the Leuze multiNet plus and improves the interference immunity.

## 7.4 Leuze multiNet plus

The Leuze multiNet plus is optimised for fast transmission of scanner data to a primary host computer. The multiNet plus consists physically of a two-wire RS 485 interface through which the multiNet plus software protocol is controlled.

This makes wiring the network easy and inexpensive as slaves are connected to one another in parallel.

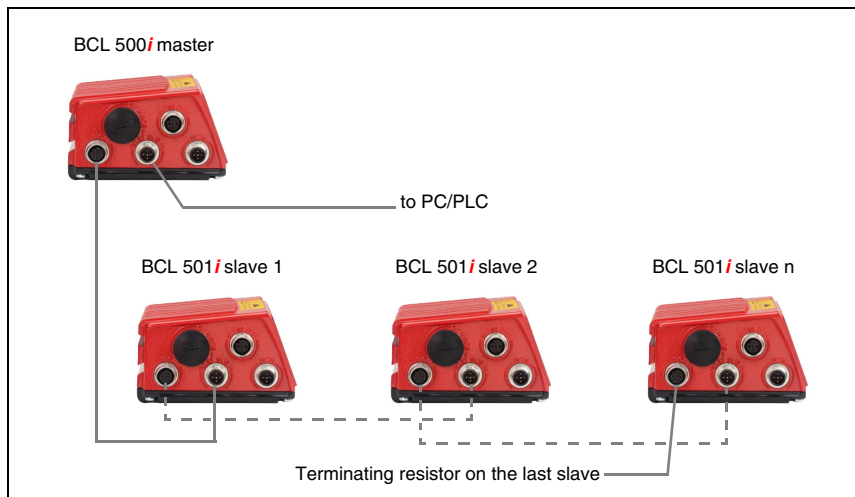


Figure 7.8: Leuze multiNet plus system topology

With the aid of a BCL 500*i* network master, up to 31 barcode readers can be networked. For this purpose, each participating BCL 500*i* or BCL 501*i* is assigned its respective station address via the display and the control panel. The devices are networked by connecting the individual RS 485 interfaces in parallel.

In the Leuze multiNet plus network, the individual network devices sequentially transfer their data to the network master BCL 500*i* when requested.

The BCL 500*i* master then transmits the data of all network devices via its host interface (either an RS 232 or RS 422) to a primary PLC control or to a computer, i.e. it "collects" the scanner data in the network and transmits it to an interface on the host computer. This reduces interface costs (CPs) and time spent programming the software.

### 7.4.1 Wiring the multiNet plus

#### ***Leuze multiNet plus connection hints***

Shielded, twisted pair conductors should be used for the Leuze multiNet plus. This allows a total network length of up to 1200m.

Recommended network cable (e.g. LiYCY 2x0.2mm<sup>2</sup>):

- Twisted pairs, shielded
- Cross section: min. 0.2mm<sup>2</sup>
- Copper resistance <100Ω/km

↳ *When wiring the network, note the following points:*

- The RS 485A, RS 485B and GND lines are wired through in the network and must not in any case be misconnected; the Leuze multiNet plus network is otherwise not functional. It is recommended that the GND of the RS 485 interface of the participants be wired through with the other wires.
- Connect the shielding to the slaves with FE.
- The maximum line length in the network is 1200m.
- The (physically) last slave in the network should be fitted with a terminating resistor of 220Ω between RS 485A and RS 485B. This prevents reflections on the multiNet plus and improves the interference immunity.



#### ***Notice!***

Use the recommended connectors / sockets or the ready-made lines and terminating resistors (see chapter 13 "Type overview and accessories").

## 7.4.2 The BCL 500*i* as network master

### ***Master operation***

The barcode readers of the BCL 500*i* series are specially designed for master operation in a network. They manage slave data in the multiNet plus and establish the connection to the primary host computer. Only a few parameters need to be set for master operation (see chapter 10 "Commissioning and configuration"). Network commissioning can thus be performed in very little time.

### ***Last slave address***

Unlike the slaves, the network address is **not** set on the display of the BCL 500*i* (the **master** always has **address 00**), but rather the **last slave address**, i.e. the number of the highest-value slave. As a result, the BCL 500*i* master is "informed" how many slaves are operating on the network without you having to call up the webConfig tool. If the network is expanded at a later time, you only need to change the number of slaves (last slave address) – a task which can be accomplished with the aid of the display.

### ***Start-up / timeout messages***

During the initialisation phase, i.e. after switching-on the operating voltage, the master searches for the set number of slaves. When a slave is found, the master generates a start-up message "S" for the respective found address, e.g. "**04S**" -> slave with address 04 has responded correctly.

If a slave is not found or does not respond, the master generates a "**timeout**" at this address (response-time timeout).

At the host interface, the slave address and a "T" are output. For example, "**08T**" means that no slave has responded at network address 08. The network remains operational after one or more timeouts, but a slave for which a timeout has been reported cannot be accessed.

### ***Mounting location of the BCL 500*i* - master***

When mounting the BCL 500*i*, make sure that it is in an easily accessible, clearly visible location in your system. Once the network has been put into operation, it is possible to set (configure) each scanner in the network centrally via the USB-service interface or host interface of the BCL 500*i* without having to connect a PC/terminal to the individual read stations.

### 7.4.3 The BCL 500*i* as network slave

The barcode readers of the BCL 500*i* series can alternatively function as slave participants in network operation. They now only transmit data to the multiNet - master (e.g. BCL 500*i*) when requested to do so by the master and establish the continuing connection to the next slave via the **BUS OUT** socket with the aid of an external M12 T-connector (order information see chapter 13.4 "Accessory connectors"). The last participant in the network must be terminated with a terminating resistor.

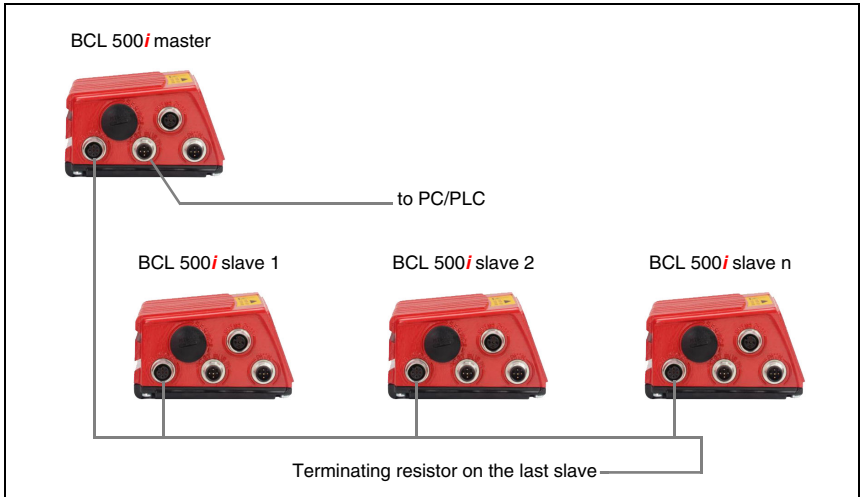


Figure 7.9: System topology of Leuze multiNet plus with BCL 500*i* as slave

Only a few parameters need to be set for slave operation (see chapter 10 "Commissioning and configuration"). Network commissioning can thus be performed in very little time.

#### **Slave address**

The display of the BCL 500*i* possesses an important function for setting the network address. The network address is set on the display, i.e. the respective station number of the slave. The address which is set must be > 0 since the master always has address 0 (**Adr.00**).

Each network device with an address > 0 is thereby automatically informed that it is a slave in the Leuze multiNet plus with this address and that it is initialised and queried by the network master. No other settings are necessary for commissioning in the Leuze multiNet plus.

#### **Other settings**

The parameters necessary for the reading task, such as the code types to be read and the number of digits of the code, must be set. This can be performed via the display as well as with the aid of the webConfig tool.



#### 7.4.4 The BCL 501*i* as network slave

The BCL 501*i* barcode readers are specially designed for slave operation in a network. They transmit data to the multiNet master only after the master prompts it to do so and establish the continuing connection via the BUS OUT socket to the slaves which follow. Only a few parameters need to be set for slave operation (see chapter 10 "Commissioning and configuration"). Network commissioning can thus be performed in very little time.

The connection is performed as shown in figure 7.8.

##### **Slave address**

With the BCL 501*i*, the network address is set on the display, i.e. the respective station number of the slave. The address which is set must be > 0 since the master always has address 0 (**Adr.00**).

Each network device with an address > 0 is thereby automatically informed that it is a slave in the Leuze multiNet plus with this address and that it is initialised and queried by the network master. No other settings are necessary for commissioning in the Leuze multiNet plus.

##### **Other settings**

The parameters necessary for the reading task, such as the code types to be read and the number of digits of the code, must be set. This can be performed via the display as well as with the aid of the webConfig tool.

## 7.5 Line lengths and shielding

↳ Observe the following maximum line lengths and shielding types:

Connection	Interface	Max. line length	Shielding
<b>BCL – service</b>	USB	3m	shielding absolutely necessary acc. to USB specifications
<b>BCL – host</b>	RS 232 RS 422 RS 485	10m 1200m 1200m	absolutely required, shielded RS 422/485 strands, stranded in pairs
<b>Network from the first BCL to the last BCL</b>	RS 485	1200m	absolutely required, shielded RS 485 strands, stranded in pairs
<b>BCL – power supply unit</b>		30m	not necessary
<b>Switching input</b>		10m	not necessary
<b>Switching output</b>		10m	not necessary

Table 7.7: Line lengths and shielding

## 8 Display and control panel

### 8.1 Structure of the control panel

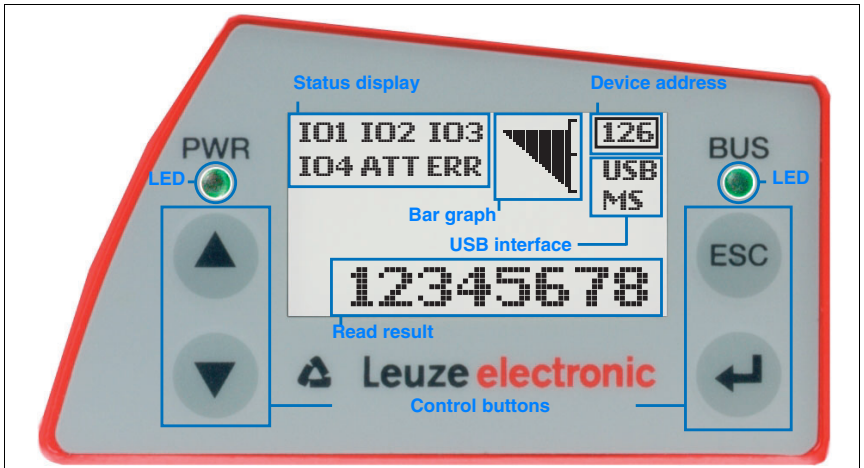


Figure 8.1: Structure of the control panel

### 8.2 Status display and operation

#### 8.2.1 Indicators in the display

##### *Status displays of the switching inputs/outputs*

- IO1** Switching input or switching output 1 active (function dependent on set configuration).  
Default: Switching input with the "Reading gate activation" function
- IO2** Switching input or switching output 2 active (function dependent on set configuration).  
Default: Input with the "Teach-in" function
- IO3** Switching input or switching output 3 active (function dependent on set configuration).  
Default: Switching input with the "Reading gate activation" function
- IO4** Switching input or switching output 4 active (function dependent on set configuration).  
Default: Switching output with the "No read" function
- ATT** Warning (Attention)
- ERR** Internal device error (Error) -> The device must be sent in for inspection

**Status display of the USB interface**

**USB** The BCL 500*i* \ BCL 501*i* is connected to a PC via the USB interface.

**MS** An external parameter memory is properly connected to the USB interface of the BCL 500*i* \ BCL 501*i*.

**Read result**

The read barcode information is displayed.

**Device address**

Shows the set multiNet plus network address (default = 1).

**8.2.2 LED status indicators**

**PWR LED**

PWR



**off**

**Device OFF**

- no supply voltage

PWR



**flashes green**

**Device ok, initialisation phase**

- no barcode reading possible
- voltage connected
- self test running
- initialisation running

PWR



**green continuous light Device ok**

- barcode reading possible
- self test successfully finished
- device monitoring active

PWR



**orange continuous light Service mode**

- barcode reading possible
- configuration via the USB service interface
- configuration via the display
- no data on the host interface

PWR



**flashes red**

**Device ok, warning set**

- barcode reading possible
- temporary operating fault

PWR



**red continuous light Device error / parameter enable**

- no barcode reading possible

**BUS LED**

BUS



**off**

**No supply voltage**

- no communication possible

BUS



**flashes green**

**Initialisation**

- of interfaces (BCL 500*i* stand-alone)
- of the network (BCL 500*i* master)
- of the network, slaves waiting for initialisation by the master (BCL 500*i* and BCL 501*i* slave)

BUS



**green continuous light** **Operation ok**

- interfaces (BCL 500*i* stand-alone)
- network (BCL 500*i* master)
- network, slaves were initialised by the master (BCL 500*i* and BCL 501*i* slave)

BUS



**flashes red**

**Communication error**

- a slave which was already initialised was lost in the network (BCL 500*i* master).
- network error after initialisation by the master (BCL 500*i* and BCL 501*i* slave).





BUS



**red continuous light** **Network error**

- slave cannot transmit any more data to the master (BCL 500*i* and BCL 501*i* slave).

### 8.2.3 Control buttons

	<b>Up</b>	<b>Navigate upward/laterally.</b>
	<b>Down</b>	<b>Navigate downward/laterally.</b>
	<b>ESC</b>	<b>Exit menu item.</b>
	<b>ENTER</b>	<b>Confirm/enter value, change menu levels.</b>

#### ***Navigating within the menus***

The menus within a level are selected with the up/down buttons  .

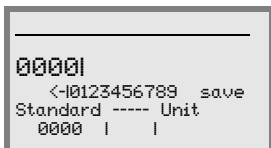
The selected menu item is activated with the enter button .




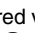
Press the ESC button  to move up one menu level.




When one of the buttons is actuated, the display illumination is activated for 10min.

#### ***Setting values***

If input of a value is possible, the display looks like this:

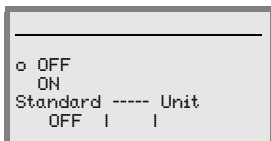





Use the   and  buttons to set the desired value. An accidental, incorrect entry can be corrected by selecting <-| and then pressing .

Then use the   buttons to select `save` and save the set value by pressing .

#### ***Selecting options***

If options can be selected, the display looks like this:



Select the desired option with the   buttons. Activate the option by pressing .

### 8.3 Menu description

After voltage is applied to the barcode reader, a startup screen is displayed for several seconds. The display then shows the barcode reading window with all status information.

#### 8.3.1 The main menus



##### Device information - main menu

This menu item contains detailed information on

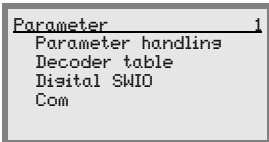
- Device type
- Software version
- Hardware version
- Serial number



##### Barcode reading window - main menu

- Visualisation of the read barcode information
- Status overview of the switching inputs/outputs
- Set device address
- Bar graphs for read quality of the current barcode.

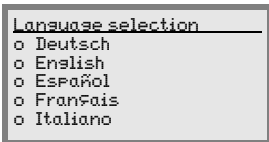
See "Indicators in the display" on page 87.



##### Parameter - main menu

- Configuration of the barcode reader.

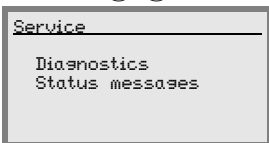
See "Parameter menu" on page 92.



##### Language selection - main menu

- Selection of the display language.

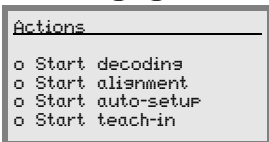
See "Language selection menu" on page 100.



##### Service - main menu

- Scanner diagnosis and status messages

See "Service menu" on page 101.



##### Actions main menu

- Various functions for scanner configuration and manual operation

See "Actions menu" on page 101.



**Notice!**

**The rear cover** of this manual includes a **fold-out page** with the complete **menu structure**. It describes the menu items in brief.

The display offers only limited configuration options. The configurable parameters are described here in chapter 8.3.

Only the webConfig tool provides complete configuration options and is largely self-explanatory. The use of the webConfig tool is described in chapter 9. Notes on commissioning via the webConfig tool can be found in chapter 10.

**8.3.2 Parameter menu**

**Parameter handling**

The Parameter handling submenu is used to lock and release the parameter input via the display and for resetting to default values.

Table 8.1: Parameter handling submenu

Level 3	Level 4	Level 5	Selection/configuration option Description	Standard
Parameter enabling			OFF/ON <i>The standard setting (OFF) prevents unintended parameter changes. If parameter enabling is activated (ON), parameters can be changed manually.</i>	OFF
Parameters to default			<i>By pressing the enter button (↵) after selecting Parameters to default, all parameters are reset to their standard settings without any further security prompts. In this case, English is selected as the display language.</i>	

**Decoder table**

In the Decoder table submenu, 4 different code type definitions can be stored. Barcodes that have been read can only be decoded if they correspond to one of the definitions stored here.

Table 8.2: Decoder table submenu

Level 3	Level 4	Level 5	Selection/configuration option <i>Description</i>	Standard	
Max. no. of labels			Value between 0 and 64 <i>The value set here specifies the maximum number of labels that should be detected for each reading gate.</i>	1	
Decoder 1	Symbology (Code type)		No code Code 2 of 5 interleaved Code 39 Code 32 Code UPC Code EAN Code 128 EAN Addendum Codabar Code 93 RSS 14 RSS Limited RSS Expanded  <i>If No code is configured, the current and all subsequent decoders are deactivated.</i>	Code 2/5i	
		Number of digits	Interval mode	OFF/ON  <i>With the ON setting, the values in digits 1 and 2 define a range of character numbers that are to be read.</i>	OFF
			Digits 1	0 to 64 characters  <i>First decodable number of characters or lower range limit.</i>	10
			Digits 2	0 to 64 characters  <i>Second decodable number of characters or upper range limit.</i>	0
			Digits 3	0 to 64 characters  <i>Third decodable number of characters.</i>	0
			Digits 4	0 to 64 characters  <i>Fourth decodable number of characters.</i>	0
			Digits 5	0 to 64 characters  <i>Fifth decodable number of characters.</i>	0
			Reading reliability		Value from 2 to 100  <i>Number or scans required to reliably detect a label.</i>



Table 8.2: Decoder table submenu

Level 3	Level 4	Level 5	Selection/configuration option <i>Description</i>	Standard
	Check digit method		Standard No check Depending on the symbology (code type) selected for the decoder, further calculation algorithms can be selected here.  <i>Check digit method used for the decoding of the barcode that has been read.</i>  <i>If Standard is set, the check digit method intended for the respective code type is used.</i>	Standard
	Check digit transm.		Standard Not standard <i>Specifies whether the check digit is transmitted. Standard means that the transmission matches the standard intended for the respective code type.</i>	Standard
Decoder 2	Symbology		<i>as decoder 1</i>	Code 39
	Number of digits	Interval mode	OFF/ON	ON
		Digits 1	0 to 64 characters	4
		Digits 2	0 to 64 characters	30
		Digits 3	0 to 64 characters	0
		Digits 4	0 to 64 characters	0
		Digits 5	0 to 64 characters	0
	Reading reliability		Value from 2 to 100	4
Check digit method		<i>as decoder 1</i>	Standard	
Check digit transm.		<i>as decoder 1</i>	Standard	
Decoder 3	Symbology		<i>as decoder 1</i>	Code 128
	Number of digits	Interval mode	OFF/ON	ON
		Digits 1	0 to 64 characters	4
		Digits 2	0 to 64 characters	63
		Digits 3	0 to 64 characters	0
		Digits 4	0 to 64 characters	0
		Digits 5	0 to 64 characters	0
	Reading reliability		Value from 2 to 100	4
Check digit method		<i>as decoder 1</i>	Standard	
Check digit transm.		<i>as decoder 1</i>	Standard	

Table 8.2: Decoder table submenu

Level 3	Level 4	Level 5	Selection/configuration option <i>Description</i>	Standard
Decoder 4	Symbology		<i>as decoder 1</i>	Code UPC
	Number of digits	Interval mode	OFF/ON	OFF
		Digits 1	0 to 64 characters	8
		Digits 2	0 to 64 characters	0
		Digits 3	0 to 64 characters	0
		Digits 4	0 to 64 characters	0
		Digits 5	0 to 64 characters	0
	Reading reliability		Value from 2 to 100	4
	Check digit method		<i>as decoder 1</i>	Standard
	Check digit transm.		<i>as decoder 1</i>	Standard

**Digital SWIO**

The Digital SWIO submenu is used to configure the 4 switching inputs/outputs of the BCL 500*i* \ BCL 501*i*.

Table 8.3: Digital SWIO submenu

Level 3	Level 4	Level 5	Selection/configuration option <i>Description</i>	Standard
Sw. input/ output 1	I/O mode		Input / Output / Passive <i>Determines the function of switching input/output 1. In the case of passive, the connection is on 0V if the Inverted parameter is set to OFF, and on +UB if the Inverted parameter is set to ON.</i>	Input
	Switching input	Inverted	OFF / ON <i>OFF = activation of the switching input function upon high level at the switching input ON = activation of the switching input function upon low level at the switching input</i>	OFF
		Debounce time	Value from 0 to 1000 <i>Time in milliseconds for which the input signal must be present and stable.</i>	5
		Start-up delay	Value from 0 to 65535 <i>Time in milliseconds between the end of the debounce time and activation of the function configured below.</i>	0
		Pulse duration	Value from 0 to 65535 <i>Minimum activation time in milliseconds for the function configured below.</i>	0
		Switch-off delay	Value from 0 to 65535 <i>Time in milliseconds for which the function configured below remains activated after the switching input signal is deactivated and the pulse duration has expired.</i>	0
		Function	No BCL500i function Rd. gate start/stop Rd. gate stop Rd. gate start Teach reference code Autoconfig start/stop <i>The function set here is carried out after the switching input is activated.</i>	Reading gate start/stop

Table 8.3: Digital SWIO submenu

Level 3	Level 4	Level 5	Selection/configuration option <i>Description</i>	Standard
	Switching output	Inverted	OFF / ON <i>OFF = activated switching output upon high level</i> <i>ON = activated switching output upon low level</i>	OFF
		Signal delay	Value from 0 to 65535 <i>Time in milliseconds between activation function and switching of the switching output.</i>	0
		Pulse duration	Value from 0 to 65535 <i>Switch-on time of the switching output in milliseconds. If the Pulse duration is set to 0, the switching output is switched on via the Activation function and switched off via the Deactivation function.</i> <i>If the Pulse duration is greater than 0, the Deactivation function has no effect.</i>	400
		Activation function 1	No function Reading gate start Reading gate end Positive reference code comparison 1 Negative reference code comparison 1 Valid read result Invalid read result Device ready Device not ready Data transmission active Data transmission not active AutoCont. good quality AutoCont. bad quality Reflector detected Reflector not detected External event, pos. edge External event, neg. edge Device active Device standby No device error Device error Positive reference code comparison 2 Negative reference code comparison 2 <i>The function set here specifies which event activates the switching output.</i>	No function
		Deactivation function 1	See Activation function 1 for selection options <i>The function set here specifies the event that deactivates the switching output.</i>	No function

Table 8.3: Digital SWIO submenu

Level 3	Level 4	Level 5	Selection/configuration option <i>Description</i>	Standard	
Sw. input/ output 2	I/O mode		Input / Output / Passive	Output	
	Switching input	Inverted	OFF / ON	OFF	
		Debounce time	Value from 0 to 1000	5	
		Start-up delay	Value from 0 to 65535	0	
		Pulse duration	Value from 0 to 65535	0	
		Switch-off delay	Value from 0 to 65535	0	
		Function	see switching input/output 1	No function	
	Switching output	Inverted	OFF / ON	OFF	
		Signal delay	Value from 0 to 65535	0	
		Pulse duration	Value from 0 to 65535	400	
		Activation function 2	see switching input/output 1	Valid read result	
		Deactivation function 2	see switching input/output 1	Reading gate start	
	Sw. input/ output 3	I/O mode		Input / Output / Passive	Input
		Switching input	Inverted	OFF / ON	OFF
Debounce time			Value from 0 to 1000	5	
Start-up delay			Value from 0 to 65535	0	
Pulse duration			Value from 0 to 65535	0	
Switch-off delay			Value from 0 to 65535	0	
Function			see switching input/output 1	Reading gate start/stop	
Switching output		Inverted	OFF / ON	OFF	
		Signal delay	Value from 0 to 65535	0	
		Pulse duration	Value from 0 to 65535	400	
		Activation function 3	see switching input/output 1	No function	
		Deactivation function 3	see switching input/output 1	No function	
Sw. input/ output 4		I/O mode		Input / Output / Passive	Output
		Switching input	Inverted	OFF / ON	OFF
	Debounce time		Value from 0 to 1000	5	
	Start-up delay		Value from 0 to 65535	0	
	Pulse duration		Value from 0 to 65535	0	
	Switch-off delay		Value from 0 to 65535	0	
	Function		see switching input/output 1	No function	
	Switching output	Inverted	OFF / ON	OFF	
		Signal delay	Value from 0 to 65535	0	
		Pulse duration	Value from 0 to 65535	400	
		Activation function 4	see switching input/output 1	Invalid read result	
		Deactivation function 4	see switching input/output 1	Reading gate start	

**Com**

The **Com** submenu is used to configure the communication interfaces of the BCL 500*i* \ BCL 501*i*.

Table 8.4: Com submenu

Level 3	Level 4	Level 5	Selection/configuration option <i>Description</i>	Standard
Operating mode			Single device Network master Network slave	Single device
HOST / BUS IN	Protocol type		No protocol Framing protocol Framing protocol with acknowledgement multiNet Slave multiNet master	Framing protocol
	Interface	Baud rate	110 ... 115200 Baud	9600
		Data format	7N1 7N2 7E1 7E2 7O1 7O2 8N1 8N2 8E1 8E2 8O1 8O2 9N1  <i>The data format is specified as: Number of bits (7,8,9) Parity (N=none, E=even, O=odd) Number of stop bits (1,2)</i>	8N1
		Handshake	None RTS CTS XON XOFF	None
		Standard	RS232 RS422 RS485	RS232

Table 8.4: Com submenu

Level 3	Level 4	Level 5	Selection/configuration option <i>Description</i>	Standard
	Framing protocol <sup>1)</sup>	RX	Prefix 1 ... 3 <sup>2)</sup> Prefix 1 ... 3 BCC mode <i>Control character definition for transmit data</i>	STX, NULL, NULL CR, LF, NULL None
		TX	Prefix 1 ... 3 Prefix 1 ... 3 BCC mode <i>Control character definition for received data</i>	STX, NULL, NULL CR, LF, NULL None
		Address format	No address Binary address ASCII address Automatic address	No address
		Address	Value from 0 to 31	0
BUS OUT	multiNet master	Maximum no. of slaves	Value from 0 to 31 <i>If the BCL 500i in the Operating mode menu item has been configured as a network master, the maximum number of slaves that the master manages must be set here.</i>	1
	multiNet slave	Slave address	Value from 0 to 31 <i>If the BCL 500i in the Operating mode menu item has been configured as a network slave, the slave address must be set here.</i>	1

- 1) If the BCL 500*i* is configured as a stand-alone device or a network master, the framing protocol defines how the data between the BCL 500*i* and the host are exchanged. The framing protocol is a character-based protocol for the transmission of ASCII characters. It groups the characters to be transmitted into a datablock and frames the block with control characters. Various block checking methods are optionally available for protecting the integrity of the data.
- 2) The decimal value of the desired ASCII character must be entered here. For a CR (Carriage Return) character for example, you need to enter 13. An ASCII character table can be found on page 150.

### 8.3.3 Language selection menu

Currently, there are 5 display languages available:

- German
- English
- Spanish
- French
- Italian

The display language and the language of the webConfig user interface are synchronised. The setting in the display affects the webConfig tool and vice versa.

**8.3.4 Service menu**

***Diagnostics***

This menu item is used exclusively for service purposes by Leuze electronic.


***Status messages***

This menu item is used exclusively for service purposes by Leuze electronic.

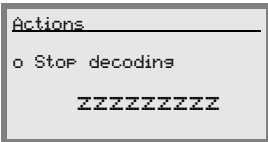
**8.3.5 Actions menu**

***Start decoding***

Here, you can perform a single reading via the display.

Use the  button to activate the single read operation and place a barcode in the reading field of the BCL 500*i* \ BCL 501*i*.


The laser beam is switched on and the following display appears:



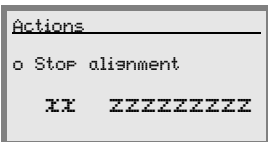
Once the barcode is detected, the laser beam is switched off again. The read result `ZZZZZZZZZZ` is shown directly in the display for about 1 s. After that, the Actions menu is displayed again.

***Start alignment***

The alignment function makes it easy to align the BCL 500*i* \ BCL 501*i* by optically displaying the read quality.

Use the  button to activate the Justage (alignment) function and place a barcode in the reading field of the BCL 500*i* \ BCL 501*i*.

At first, the laser beam is switched on continuously, enabling you to position the barcode securely in the reading field. Once the barcode is read, the laser beam is switched off briefly and the following display appears:





xx            Read quality in % (scans with info)

zzzzzz:    Contents of the decoded barcode.

Once the barcode has been detected, the laser beam starts to flash.

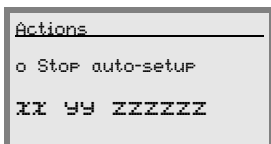
The flash frequency provides visual information on the read quality. The faster the laser beam flashes, the higher the read quality.

**Start auto-setup**

The auto-setup function provides an easy option for configuring the code type and number of digits of Decoder 1.

↳ Use the  button to activate the auto-setup function and place an unknown barcode in the reading beam of the BCL 500i \ BCL 501i.

The following display appears:



The following information is displayed:

xx            Code type of the detected code (sets the code type of Decoder 1)

'01'            2/5 Interleaved

'02'            Code 39

'06'            UPC (A, E)

'07'            EAN

'08'            Code 128, EAN 128

'10'            EAN/UPC


'11'            Codabar

yy            Number of digits of the detected code (sets the number of digits of Decoder 1)

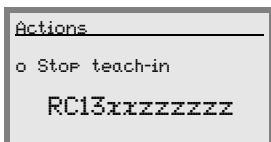
zzzzzz:    Contents of the decoded label. A ↑ appears if the label was not correctly read.

**Start teach-in**

The teach-in function can be used to conveniently read reference code 1.

↳ Use the  button to activate the teach-in function and place a barcode which contains the content that you wish to store as the reference code in the reading beam of the BCL 500i \ BCL 501i.

The following display appears:



The following information is displayed:

RC13            means that reference code number 1 is stored in RAM. This is always output.

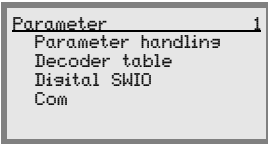
- xx defined code type (see auto-setup)
- z defined code information (1 ... 63 characters)

## 8.4 Operation

Shown here is an example describing important operating procedures in detail.

### Parameter enabling

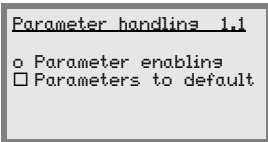
During normal operation parameters can only be viewed. If parameters need to be changed, the **ON** menu item in the **Parameter enabling** menu must be activated. To do this proceed as follows:



In the parameter menu, use the ▲▼ buttons to select the **Parameter handling** menu item.



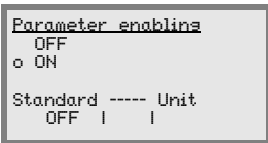
Press the enter button to enter the **Parameter handling** menu.



In the Parameter handling menu, use the ▲▼ buttons to select the **Parameter enabling** menu item.



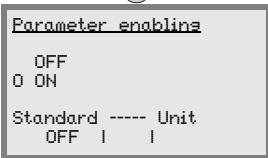
Press the enter button to enter the **Parameter enabling** menu.



In the Parameter enabling menu, use the ▲▼ buttons to select the **ON** menu item.



Press the enter button to switch on parameter enabling.



The PWR LED lights up red. You can now set individual parameters via the display.



Press the ESC button twice to return to the main menu.

### Network configuration

Information on network configuration can be found in chapter "Commissioning and configuration" on page 109.

## 9 Leuze webConfig tool

With the **Leuze webConfig tool**, an operating-system independent, web-technology based, graphical user interface is available for configuring barcode readers of the **BCL 500*i*** series.

Through the use of HTTP as communication protocol and by using only standard technologies on the client side (HTML, JavaScript and AJAX), which are supported by all commonly used, modern browsers (e.g. **Mozilla Firefox** beginning with Version 1.5 or **Internet Explorer** beginning with Version 6.0), it is possible to operate the **Leuze webConfig tool** on any internet-ready PC.

### 9.1 Connecting the SERVICE USB interface

The connection to the SERVICE USB interface of the BCL 500*i* \ BCL 501*i* is established via the PC-side USB interface using a special USB cable with 2 type A/A connectors.

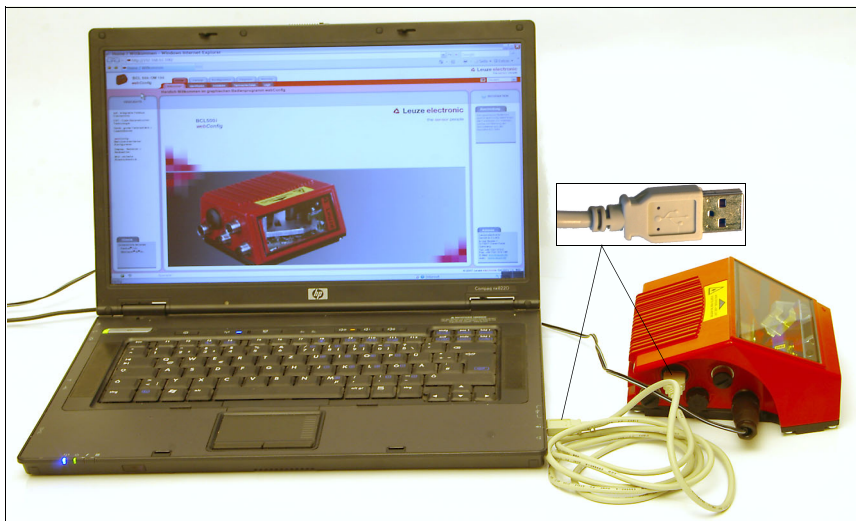


Figure 9.1: Connecting the SERVICE USB interface

## 9.2 Installing the required software

### 9.2.1 System requirements


Operating system:	Windows 2000 Windows XP (Home Edition, Professional) Windows Vista
Computer:	PC with USB interface version 1.1 or higher
Graphics card:	min. 1024 x 768 pixels or higher resolution
Required hard-disk capacity:	approx. 10MB

### 9.2.2 Installing the USB driver

In order for the BCL 500*i* \ BCL 501*i* to be automatically detected by the connected PC, the **USB driver** must be installed **once** on your PC. To do this, you must have **administrator privileges**.


Please proceed according to the following steps:

- ↳ *Start your PC with administrator privileges and log on.*
- ↳ *Load the CD included in the delivery contents of your BCL 500*i* \ BCL 501*i* in the CD drive and start the "setup.exe" program.*
- ↳ *Alternatively, you can also download the setup program from the internet at [www.leuze.de](http://www.leuze.de).*
- ↳ *Follow the instructions provided by the setup program.*

Upon successful installation of the USB driver, a BCL 50xi icon  automatically appears on the desktop.

To check: In the Windows Device Manager, a device called "Leuze electronic, USB Remote NDIS Network Device" appears under the "Network adapter" device class following successful USB registration.

### 9.3 Starting the webConfig tool

To start the **webConfig tool**, click the BCL 50xi icon  located on the desktop. Make certain that the BCL 500*i* \ BCL 501*i* is connected to the PC via the USB interface and that voltage is connected.

Or alternatively: Open a browser on your PC and enter the following address:  
**192.168.61.100**

This is the default Leuze maintenance address for communication with barcode readers of the BCL 500*i* series.

In both cases, the following start page appears on your PC.



Figure 9.2: The start page of the webConfig tool



#### **Notice!**

*The webConfig tool is completely contained in the firmware of the BCL 500i \ BCL 501i. Depending on firmware version, the start page may vary from that shown above.*

The individual parameters are – where useful – graphically displayed in order to better illustrate the meaning of the what are often perceived as abstract parameters.

The result is an easy-to-use and practically-oriented user interface!

### 9.4 Short description of the webConfig tool

The webConfig tool has 5 main menus:

- **Home**  
with information on the connected BCL 500*i* \ BCL 501*i* as well as on installation. This information corresponds to the information in this handbook.
- **Alignment**  
for manually starting read processes and for aligning the barcode reader. The results of the read processes are displayed immediately. As a result, this menu item can be used to determine the optimum installation location.
- **Configuration**  
for adjusting decoding, for data formatting and output, switching inputs/outputs, communication parameters and interfaces, etc...
- **Diagnostics**  
for event logging of warnings and errors
- **Maintenance**  
for updating the firmware

The user interface of the webConfig tool is largely self-explanatory.

#### 9.4.1 Module overview in the Configuration menu

The adjustable parameters of the BCL 500*i* \ BCL 501*i* are clustered in modules in the Configuration menu.

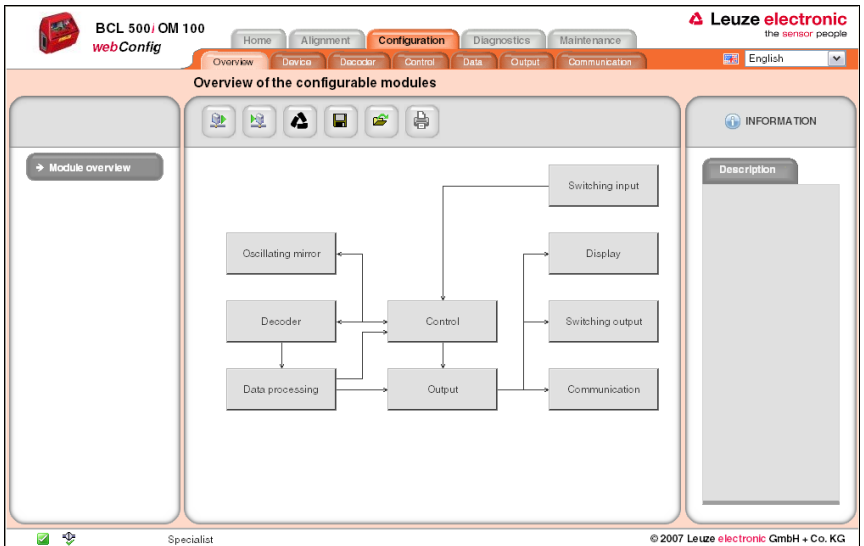


Figure 9.3: Module overview in the webConfig tool

**Notice!**

The webConfig tool is completely contained in the firmware of the BCL 500*i* \ BCL 501*i*. Depending on firmware version, the module overview may vary from that shown above.

The individual modules and their relationships to one another are graphically displayed in the module overview. The display is context sensitive, i.e. click a module to directly access the corresponding submenu.

An overview of the modules:

- **Decoder**  
Definition of code types, code-type features and number of digits of the labels that are to be decoded
- **Data processing**  
Filtering and processing of the decoded data
- **Output**  
Sorting of the processed data and comparison with reference codes
- **Communication**  
Formatting of the data for output via the communication interfaces
- **Control**  
Activation/deactivation of decoding
- **Switching input**  
Activation/deactivation of read processes
- **Switching output**  
Definition of events which activate/deactivate the switching output
- **Display**  
Formatting of the data for output on the display
- **Oscillating mirror (optional)**  
Adjustment of oscillating mirror parameters

During commissioning of the BCL 500*i*, it is recommended that the individual modules be configured in the order presented above. Further information on commissioning can be found in chapter "Commissioning and configuration" on page 109.

## 10 Commissioning and configuration

**Attention Laser!**

Observe the safety notices in chapter 2!

This chapter describes basic configuration steps which you can carry out either via the webConfig tool or the display.

**Via the webConfig tool**

The most convenient way to configure the BCL 500*i* \ BCL 501*i* is via the webConfig tool. Only the webConfig tool gives you access to all settings of the BCL 500*i* \ BCL 501*i*. To use the webConfig tool, you need to establish a USB connection between the BCL 500*i* \ BCL 501*i* and a PC/laptop.

**Notice!**

Notes on the use of the webConfig tool can be found in chapter 9 "Leuze webConfig tool" on page 104

**Via display**

The display offers basic configuration options for the BCL 500*i* \ BCL 501*i*. Configuration via the display is appropriate if you simply want to configure reading tasks and you cannot or do not want to set up a USB connection between the BCL 500*i* \ BCL 501*i* and a PC/laptop.

**Notice!**

Notes on the use of the display can be found in chapter 8 "Display and control panel" on page 87. An overview of the menu structure and brief instructions for operating the display can be found in the two fold-out pages at the beginning and end of this technical description.



## 10.1 BCL 500*i*

### 10.1.1 Measures to be performed prior to the initial commissioning

- ↳ Before commissioning, familiarise yourself with the operation and configuration of the BCL 500*i*.
- ↳ Before connecting the supply voltage, recheck all connections and ensure that they have been properly made.

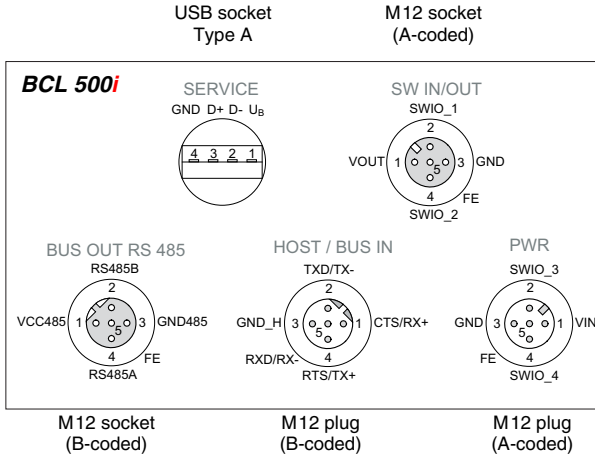


Figure 10.1: Connections of the BCL 500*i*

### 10.1.2 Starting the device

- ↳ Connect the supply voltage +10 ... 30VDC (typ. +24VDC); the BCL 500*i* starts up and the barcode reading window appears on the display:



By default, parameter enabling is deactivated and you cannot change any settings. If you wish to carry out the configuration via the display, you must activate parameter enabling. Further information can be found in chapter "Parameter enabling" on page 103

As a first step, you need to set the operating mode of the BCL 500*i*. The BCL 500*i* can be operated as a stand-alone device, multiNet plus master, or multiNet plus slave.

### 10.1.3 Operation as a stand-alone device

With the BCL 500*i*, stand-alone operation is preset ex-works.

If you wish to operate the BCL 500*i* as a stand-alone device, you can skip the following paragraphs and continue with chapter 10.3.

### 10.1.4 Selecting the operating mode

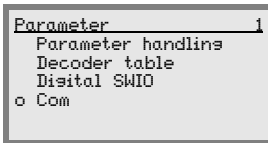
If you wish to operate the BCL 500*i* as a multiNet master or slave, you must set the appropriate operating mode.

#### Via webConfig tool

↳ Select the desired operating mode in the main menu Configuration, submenu Communication -> Overview.

#### Or, alternatively, via the display

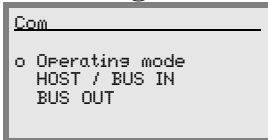
↳ In the main menu, use the ▲▼ buttons to select the Parameter menu and use the enter button ↵ to activate the Parameter menu. The following screen appears:



In the Parameter menu, use the ▲▼ buttons to select the Com menu item.



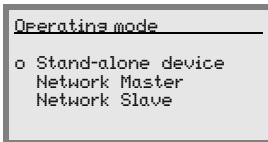
Press the enter button to enter the Com menu.



Use the ▲▼ buttons to select the Operating mode menu item.



Press the enter button to go to the selection of the Operating mode



Use the ▲▼ buttons to select the desired menu item and press the enter button ↵ to activate the operating mode.

#### webConfig tool or display

↳ Select one of the following three operating modes:

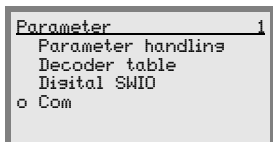
- Stand-alone device:  
BCL 500*i* in stand-alone operation. For further information, refer to chapter 10.3.
- Network Master  
BCL 500*i* as a master in multiNet plus. Additional settings are required for master operation. For further information, refer to chapter 10.1.5.
- Network Slave  
BCL 500*i* as slave in multiNet plus. Additional settings are required for slave operation. The configuration of the BCL 500*i* as a multiNet slave corresponds to the configuration of the BCL 501*i*. For further information on this topic, refer to chapter 10.2.3.



### 10.1.5 Operation as a multiNet plus master

For operation as a multiNet plus master, you must tell the BCL 500*i* the maximum number of slaves it is to administer. This is performed using the `max. slave number` parameter.

↳ Set the `max. slave number` parameter to the desired value:

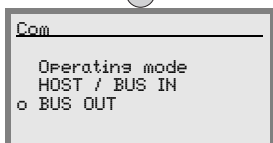
- Via webConfig:  
Configuration -> Communication -> BUS OUT -> Protocol
- Or, alternatively, via the display





In the Parameter menu, use the   buttons to select the Com menu item.



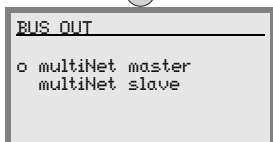
Press the enter button to enter the Com menu.





Use the   buttons to select the BUS OUT menu item.



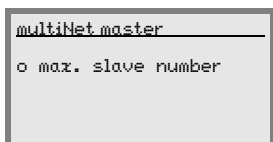
Press the enter button to enter the BUS OUT menu.




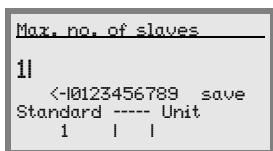
Use the   buttons to select the multiNet master menu item.






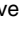



Press the enter button to enter the multiNet master menu.



Press the  enter button to enter the menu for setting the maximum number of slaves.



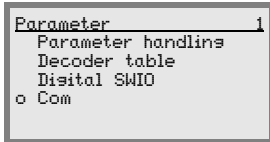
Displayed in the following screen is the preset number 1, which you can now change. Use the   and  buttons to set the desired number of slaves. An accidental, incorrect entry can be corrected by selecting <- and then pressing . Then use the   buttons to select `save` and save the set number of slaves by pressing .

You also need to configure the BCL 500*i* such that it is able to communicate with the primary host:

**Interface standard and communication parameters of the host interface**

↳ Select the desired interface standard (RS 232 / RS 422) and set the associated communication parameters:

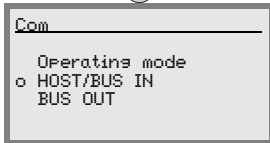
- Via webConfig:  
Configuration -> Communication -> HOST/BUS IN -> Data transmission
- Or, alternatively, via the display



In the Parameter menu, use the ▲▼ buttons to select the Com menu item.



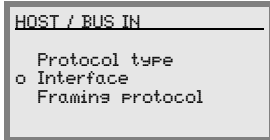
Press the enter button to enter the Com menu.



Use the ▲▼ buttons to select the HOST/BUS IN menu item.



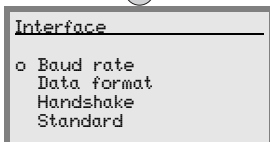
Press the enter button to enter the HOST/BUS IN menu.



Use the ▲▼ buttons to select the Interface menu item.



Press the enter button to enter the Interface menu.



Press the ↵ enter button to enter the menu for setting the interface parameters. Select the available parameters one after another and set them to the values you require. The various settings are described beginning on page 99.

**Communication protocol of the host interface**

↳ Select the desired protocol and set associated parameters:

- Via webConfig:
  - first
    - Configuration -> Communication -> HOST/BUS IN -> Protocol
    - then
      - Configuration -> Communication -> HOST/BUS IN -> Framing protocol
  - Or, alternatively, via the display
    - first
      - Parameter -> Com -> HOST/BUS IN -> Protocol type
      - then
        - Parameter -> Com -> HOST/BUS IN -> Framing protocol

↳ Continue configuring the device according to chapter 10.3

**10.2 multiNet plus slave BCL 501 i**

**10.2.1 Measures to be performed prior to the initial commissioning**

- ↳ Before commissioning, familiarise yourself with the operation and configuration of the BCL 501i.
- ↳ Before connecting the supply voltage, recheck all connections and ensure that they have been properly made.

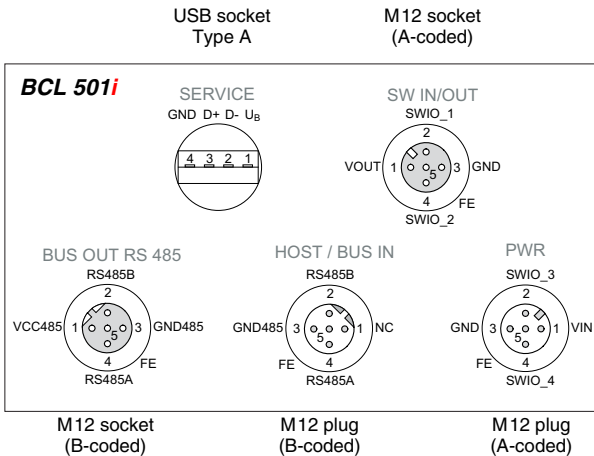
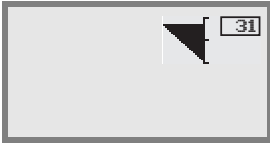


Figure 10.2: Connections of the BCL 501i

### 10.2.2 Starting the device

- ↳ Connect the supply voltage +10 ... 30VDC (typ. +24VDC); the BCL 501*i* starts up and the barcode reading window appears on the display:



By default, parameter enabling is deactivated and you cannot change any settings. If you wish to carry out the configuration via the display, you must activate parameter enabling. Further information can be found in chapter "Parameter enabling" on page 103

### 10.2.3 Setting the device address

When operating the BCL 500*i* \ BCL 501*i* as a multiNet plus slave, the communication parameters of the HOST/BUS IN and BUS OUT interfaces are fixed. You only need to set the device address to enable the BCL 500*i* \ BCL 501*i* to communicate with the multiNet plus master.

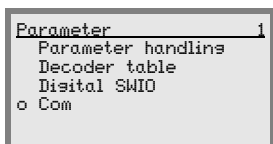


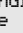
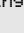
**Notice!**

The BCL 501*i* always automatically starts as a **slave** participant in the multiNet plus. The default address is 1.

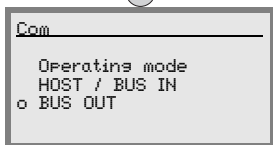
The Leuze multiNet plus permits an address range from 0 to 31. Address 31 must not be used for data communication. It may only be used temporarily for commissioning.



- ↳ Set the Slave address parameter to a value > 0 and < 31. Start with address 01 for the first slave and assign further addresses in contiguous ascending order.
  - Via webConfig:  
Configuration -> Communication -> BUS OUT -> Protocol
  - Or, alternatively, via the display



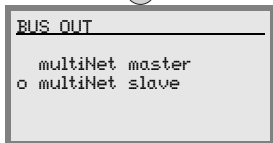
In the Parameter menu, use the   buttons to select the Com menu item.



Press the enter button to enter the Com menu.



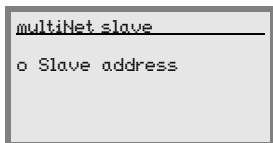
Use the   buttons to select the BUS OUT menu item.


Press the enter button to enter the BUS OUT menu.

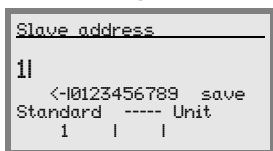




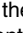


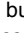

Use the   buttons to select the multiNet slave menu item.

Press the enter button to enter the multiNet slave menu.



Press the  enter button to enter the menu for setting the slave address.



Displayed in the following screen is the preset slave address 1, which you can now change. Use the   and  buttons to set the desired slave address. An accidental, incorrect entry can be corrected by selecting <-| and then pressing . Then use the   buttons to select save and save the set slave address by pressing .



**Notice!**

Permissible values for the network address in the Leuze multiNet plus are 0 ... 31. Make certain that a different address is assigned to each multiNet plus participant.



**Notice!**

From the hardware address (device address > 0), the BCL 501*i* detects that networking is required. It automatically switches to the Leuze multiNet plus network and waits for initialization by the master.

### 10.3 Additional settings for the BCL 500*i* and the BCL 501*i*

After the basic configuration of the operating mode and the communication parameters, you need to carry out further settings:

- Decoding and processing the read data
- Control of the decoding
- Control of the switching outputs

#### 10.3.1 Decoding and processing the read data

The BCL 500*i* \ BCL 501*i* offers the following options:

- Setting the number of labels to be decoded for each reading gate (0 ... 64). This is done via the `Max. no. of labels` parameter.
- Definition of up to 8 different code types (4 different types if configured via the display). Labels that match one of the defined code types are decoded. Further parameters can be set for each code type:
  - The `code type (symbology)`
  - The `Number of digits`: either up to 5 different numbers of digits (e.g., 10, 12, 16, 20, 24), or a range (`Interval mode`) and up to three additional numbers of digits (e.g., 2 ... 10, 12, 16, 26)
  - The `Reading reliability`: the set value specifies how many times a label must be read and decoded with the same result before the result is accepted as valid.
  - Activation of the code fragment technology (`CRT`, in the webConfig tool only)
  - Additional code type specific settings (in the webConfig tool only)
  - `Check digit method` used for decoding as well as the type of `Check digit output` for the read result. The two possibilities for the latter are `Standard` (corresponds to the standard for the selected code type/symbology) and `not Standard`.

↳ *Define at least one code type with the desired settings.*

- Via webConfig:  
Configuration -> Decoder
- Or, alternatively, via the display  
Parameter -> Decoder table

#### **Data processing via the webConfig tool**

In the `Data` and `Output` submenus of the `Configuration` main menu, the webConfig tool provides extensive data processing options to adapt the functionality of the BCL 500*i* \ BCL 501*i* to the specific reading task:

- Data filtering and segmentation in the `Data` submenu:
  - Data filtering according to characteristics for handling identical barcode information
  - Data segmentation for differentiating between identifier and content of the read data
  - Data filtering according to content and/or identifier in order to suppress the output of barcodes with specific content/identifiers
  - Completeness inspection of the read data



- Sorting and formatting the output data in the `Output` submenu:
  - Configuration of up to 3 different sorting criteria. Sorting by physical data and content of the read barcodes.
  - Formatting of the data output for the HOST.
  - Formatting of the data output for the display.

### 10.3.2 Control of the decoding

In general, decoding is controlled via one or more of the configurable switching inputs/outputs. For this purpose, the respective connection to the SW IN/OUT and POWER interfaces must be configured as a switching input.

Via a switching input, you can:

- start decoding
- stop decoding
- start decoding and then stop decoding after a configurable time period
- read a reference code
- start the automatic code type configuration (AutoConfig)

↳ Connect the required control devices (photoelectric sensor, proximity switch, etc.) as described in chapter 7 to the `BCL 500i` \ `BCL 501i`.

↳ Configure the connected switching inputs according to your requirements. To do this, first set the I/O mode to Input and then configure the switching behaviour:

- Via webConfig:  
   Configuration -> Device -> Switching inputs/outputs
- Or, alternatively, via the display  
   Parameter -> Digital SWIO -> Switching input/output 1-4



#### **Notice!**

Alternatively, one can also activate decoding via the online command '+' and deactivate it via the online command '-'. Further information on the online commands can be found in chapter 11.

#### **Advanced decoder control via the webConfig tool**

The webConfig tool provides advanced functions, in particular for deactivating decoding. These may be accessed via the `Control` submenu of the `Configuration` main menu. You can:

- activate decoding automatically (delayed)
- stop decoding after a maximum reading gate time
- stop decoding via the completeness mode, if:
  - the maximum number of barcodes to be decoded has been decoded
  - a positive reference code comparison has taken place.

### 10.3.3 Control of the switching outputs

By using the switching inputs/outputs of the BCL 500*i* \ BCL 501*i*, external event-controlled functions can be implemented without assistance from the primary process control. For this purpose, the respective connection at the SW IN/OUT and POWER interfaces must be configured as a switching output.

A switching output can be activated:

- at the start/end of the reading gate
- depending on the read result:
  - reference code comparison positive/negative
  - read result valid/invalid
- depending on the state of the device:
  - ready/not ready
  - data transmission active/not active
  - active/standby
  - error/no error
- etc.

↳ As described in chapter 7 of the manual, connect the required switching outputs of the BCL 500*i* \ BCL 501*i*.

↳ Configure the connected switching outputs according to your requirements. To do this, first set the I/O mode to Output and then configure the switching behaviour:

- Via webConfig:  
Configuration -> Device -> Switching inputs/outputs
- Or, alternatively, via the display  
Parameter -> Digital SWIO -> Switching input/output 1-4

## 10.4 Transmitting configuration data

Instead of going through the tedious task of configuring every parameter of the BCL 500*i* \ BCL 501*i* individually, you can also conveniently transfer configuration data.

In general, there are two possibilities for transferring configuration data between two BCL 500*i* \ BCL 501*i* barcode readers:

- Storage in a file and transfer using the webConfig tool
- Using the external parameter memory

### 10.4.1 Via the webConfig tool

With the webConfig tool, you can store entire configurations of the BCL 500*i* \ BCL 501*i* on data carriers and transfer them from these to the BCL 500*i* \ BCL 501*i*.

This storage of configuration data is especially useful if you want to store basic configurations which will require only minor changes.

In the webConfig tool, you store the configuration data via the buttons in the upper part of the middle window of all submenus of the Configuration main menu.

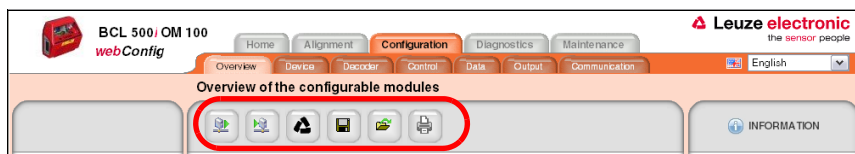


Figure 10.3: Storing configuration data in the webConfig tool

### 10.4.2 With the external parameter memory

The use of the external parameter memory permits the easy replacement of a defective BCL 500*i* \ BCL 501*i* on site.

This requires an external parameter memory to be installed permanently to the USB connection of the BCL 500*i* \ BCL 501*i*.

The BCL 500*i* \ BCL 501*i* stores a copy of the current configuration in the external parameter memory. This copy is immediately updated when the configuration is changed via the display or by a primary host system (PC/PLC) via online commands.

**Installing the external parameter memory**



Figure 10.4: Installing the external parameter memory

- ↪ Remove the cover of the USB connection on the BCL 500*i* \ BCL 501*i*.
- ↪ Unscrew the lid of the tube with the three red rings.
- ↪ Screw the tube onto the USB connection of the BCL 500*i* \ BCL 501*i*.
- ↪ Insert the USB memory stick into the USB connection and then cover the tube with the screw cap to ensure protection class IP 65.



Figure 10.5: BCL 500*i* \ BCL 501*i* with installed parameter memory

The USB memory stick can be inserted regardless of whether or not the BCL 500*i* \ BCL 501*i* is connected to supply voltage.

```
Memory stick connected:
Export internal
configuration?
  OK
  cancel.
```

After the USB memory stick has been inserted and supply voltage applied, the message on the left appears on the display.

- ↪ Use the arrow keys (▲▼) to select OK and then press the enter button (↵).

The configuration is now transferred to the external parameter memory and is from now on updated immediately when the configuration is changed via display or online commands.

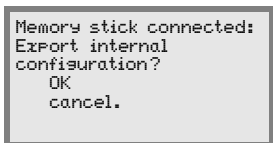


The display of MS under the device address indicates that the USB memory stick is connected correctly and is functioning.

### Replacing a defective BCL 500i \ BCL 501i

- ↳ Uninstall the defective BCL 500i \ BCL 501i.
- ↳ Remove the external parameter memory from the defective BCL 500i \ BCL 501i by unscrewing the tube with the three red rings.
- ↳ Mount the external parameter memory onto the new BCL 500i \ BCL 501i.
- ↳ Install and commission the new BCL 500i \ BCL 501i.

The following message appears on the display again:



↳ Use the arrow keys (▲▼) to select *Cancel* and then press the enter button (↵).



### Attention!

Make sure you select *Cancel*. Otherwise, the configuration in the external parameter memory is lost!

The configuration is now imported from the external parameter memory and the BCL 500i \ BCL 501i is immediately operational without any further configuration.

## 11 Online commands

### 11.1 Overview of commands and parameters

Online commands can be used to send commands directly to the device for control and configuration.

For this purpose, the BCL 500*i* \ BCL 501*i* must be connected to a host- or service computer via the serial interface. The commands described can be sent either via the host or the service interface.

#### **Online commands**

With the commands, you can:

- control/decode.
- read/write/copy parameters.
- carry out an automatic configuration.
- teach-in/set reference codes.
- call up error messages.
- call up statistical device information.
- carry out a software reset in order to reinitialise the device.

#### **Syntax**

"Online" commands consist of one or two ASCII characters followed by command parameters.

No separation characters may be entered between the command and the command parameter(s). Both small and capitalised letters can be used.

Example:

Command '**CA**': autoConfig function

Parameter '+': Activation

Transmitted is: '**CA+**'

#### **Notation**

Commands, command parameters and returned data are enclosed between single quotation marks '' in the text of this manual.

Most online commands are acknowledged by the BCL 500*i* \ BCL 501*i* and any requested data returned. For commands that are not acknowledged, command execution can be observed or monitored directly on the device.

### 11.1.1 General 'online' commands

#### *Software version number*

Command	'V'
<b>Description</b>	Requests device version information
<b>Parameter</b>	no
<b>Acknowledgement</b>	'BCL 500i SM 100 V 1.3.8 2008-02-15' The first line contains the device type of the BCL 500 <i>i</i> \ BCL 501 <i>i</i> , followed by the device version number and version date. (The data which is actually displayed may vary from the values given here.)



#### **Notice!**

*This command returns the major release number of the software packet. This major release number also appears on the display during start-up.*

*This command can be used to check whether the connected host or service computer is properly connected and configured. If you do not receive an acknowledgement, please check interface connections, protocol and service switches.*

#### *Software reset*

Command	'H'
<b>Description</b>	Carries out a software reset. The device is restarted and reinitialised, leaving it in the same state as when the supply voltage is switched on.
<b>Parameter</b>	no
<b>Acknowledgement</b>	'S' (start signal)

*Code recognition*

<b>Command</b>	<b>'CC'</b>
<b>Description</b>	Detects an unknown bar code and outputs number of digits, code type, and code information to the interface, without storing the barcode in the parameter memory.
<b>Parameter</b>	no
<b>Acknowledgement</b>	<p><b>'xx yy zzzzzz'</b></p> <p><b>xx:</b> No. of digits of the read code</p> <p><b>yy:</b> Code type of the read code</p> <p><b>'01'</b> 2/5 Interleaved</p> <p><b>'02'</b> Code 39</p> <p><b>'06'</b> UPC (A, E)</p> <p><b>'07'</b> EAN</p> <p><b>'08'</b> Code 128, EAN 128</p> <p><b>'10'</b> EAN/UPC</p> <p><b>'11'</b> Codabar</p> <p><b>zzzzzz:</b> Contents of the decoded label. A ↑ appears if the label was not correctly read.</p>



*autoConfig*

Command	'CA'
<b>Description</b>	Activates or deactivates the 'autoConfig' function. BCL 500 <i>i</i> \ BCL 501 <i>i</i> Certain label reading parameters are programmed automatically in the setup by the labels which are read while the 'auto-Config' function is active.
<b>Parameter</b>	'+' Activates 'autoConfig' '/' Rejects the last code read '-' Deactivates 'autoConfig' and stores the decoded data in the current parameter set.
<b>Acknowledgement</b>	'CSx' x Status '0' Valid 'CA' command '1' Invalid command '2' autoConfig could not be activated '3' autoConfig could not be deactivated '4' Result could not be deleted
<b>Description</b>	'xx yy zzzzzz' xx No. of digits of the read code yy Code type of the read code '01' 2/5 Interleaved '02' Code 39 '06' UPC (A, E) '07' EAN '08' Code 128, EAN 128 '10' EAN/UPC '11' Codabar zzzzzz: Contents of the decoded label. A ↑ appears if the label was not correctly read.

**Alignment mode**

<b>Command</b>	<b>'JP'</b>
<b>Description</b>	<p>This command simplifies mounting and alignment of the BCL 500<i>i</i> \ BCL 501<i>i</i>. After activating the function with <b>'JP+</b>', the BCL 500<i>i</i> \ BCL 501<i>i</i> continuously supplies status information to the serial interfaces.</p> <p>With this online command, the scanner is set to terminate the decoding after 100 successfully decoded labels and output the status information. Subsequently, the read process is reactivated automatically.</p> <p>In addition to the output of the status information, the laser beam is used to display the reading quality. Depending on how many read results could be extracted, the duration of the laser's "off" time increases.</p> <p>If the reading quality is high, the laser beam flashes in brief, regular intervals. The worse the decoder decodes, the longer the pauses become during which the laser is switched off. The flashing intervals become more and more irregular because the laser may, in total, be active for longer to extract more labels. The duration of the pauses has been stepped in such a way that they can be distinguished by the eye.</p>
<b>Parameter</b>	<p><b>'+':</b> Starts the adjustment mode.</p> <p><b>'-':</b> Ends the adjustment mode.</p>
<b>Acknowledgement</b>	<p><b>'yyy_zzzzzz'</b></p> <p><b>yyy:</b> Reading quality in %. A high process availability is ensured at read qualities &gt; 75%.</p> <p><b>zzzzzz:</b> Barcode information.</p>

**Manual definition of the reference code**

Command	RS
<b>Description</b>	This command can be used to define a new reference code in the BCL 500 <i>i</i> by means of direct input via the serial interface. The data is saved in the parameter set according to your input under reference code 1 through 2 and stored in the working buffer for direct further processing.
<b>Parameter</b>	<b>'RSyvxxzzzzzzzz'</b> <b>y, v, x</b> and <b>z</b> are placeholders (variables) for the actual input. <b>y</b> Defined reference code no. '1' (Code 1) '2' (Code 2) <b>v</b> Storage location for reference code: '0' RAM+EEPROM, '3' RAM only <b>xx</b> Defined code type (see command 'CA') <b>z</b> Defined code information (1 ... 63 characters)
<b>Acknowledgement</b>	<b>'RSx'</b> <b>x</b> Status '0' Valid ' <b>Rx</b> ' command '1' Invalid command '2' Insufficient memory for reference code '3' Reference code has not been saved '4' Reference code invalid
<b>Example</b>	Input = 'RS130678654331' (Code 1 (1), RAM only (3), UPC (06), code information)

**Reference-code teach-in**

Command	'RT'
<b>Description</b>	This command enables a reference code to be defined quickly by reading an example label.
<b>Parameter</b>	<p><b>'RTy'</b>      Function</p> <p><b>y</b>            Defines reference code 1</p> <p><b>'1'</b>           Defines reference code 2</p> <p><b>'2'</b>           Activates the definition of reference code 1 up to the value of Parameter no_of_labels</p> <p><b>'+'</b>           Exits the Teach-In process</p>
<b>Acknowledgement</b>	<p>The BCL 500<i>i</i> \ BCL 501<i>i</i> first responds with the command <b>'RS'</b> and corresponding status (see command <b>'RS'</b>). After a barcode has been read, it sends the result in the following format:</p> <p><b>'RCyvxzzzzz'</b></p> <p><b>y, v, x and z</b> are placeholders (variables) for the actual input.</p> <p><b>y</b>            Defined reference code no.</p> <p><b>'1'</b>           (Code 1)</p> <p><b>'2'</b>           (Code 2)</p> <p><b>v</b>            Memory location for reference code</p> <p><b>'0'</b>           RAM+EEPROM,</p> <p><b>'3'</b>           RAM only</p> <p><b>xx</b>          Defined code type (see command <b>'CA'</b>)</p> <p><b>z</b>            Defined code information (1 ... 63 characters)</p>



**Notice!**

With this function, only code types are recognised that are identified using the autoConfig function or which were set in the set-up.

- ↳ After each reading via an **'RTy'** command, explicitly switch off the function again since failure to do so will interfere with other commands as well as prevent execution of a new **'RTx'** command.

### Reading a reference code

Command	'RR'
<b>Description</b>	The command reads out the reference code defined in the BCL 500 <i>i</i> \ BCL 501 <i>i</i> . If no parameters are specified, all defined codes are output.
<b>Parameter</b>	<Reference code number> '1' ... '2' value range of reference codes 1 to 2
<b>Acknowledgement</b>	<p>If no reference codes are defined, the BCL 500<i>i</i>\ BCL 501<i>i</i> responds with the 'RS' command and corresponding status (see command 'RS'). For valid codes, the output corresponds to the following format: <b>RCyvxxzzzzzz</b></p> <p><b>y</b>, <b>v</b>, <b>x</b> and <b>z</b> are placeholders (variables) for the actual input.</p> <p><b>y</b>            Defined reference code no.            '1'            (Code 1)            '2'            (Code 2)</p> <p><b>v</b>            Memory location for reference code            '0'            RAM+EEPROM,            '3'            RAM only</p> <p><b>xx</b>            Defined code type (see command 'CA')</p> <p><b>z</b>            Defined code information (1 ... 63 characters)</p>

11.1.2 'Online' commands for system control

*Activating sensor input*

Command	'+'
<b>Description</b>	<p>The command activates decoding. This command is used to activate the reading gate. It remains active until it is deactivated by one of the following criteria:</p> <ul style="list-style-type: none"> <li>• Deactivation by a manual command</li> <li>• Deactivation by a switching input</li> <li>• Deactivation upon reaching the specified read quality (equal scans)</li> <li>• Deactivation by timeout</li> <li>• Deactivation upon reaching a preset number of scans without information.</li> </ul>
<b>Parameter</b>	no
<b>Acknowledgement</b>	no

*Deactivating sensor input*

Command	'-'
<b>Description</b>	<p>The command deactivates decoding. This command can be used to deactivate the reading gate. Following deactivation, the read result is output. Because the reading gate was manually deactivated and, thus, no GoodRead criterion was met, a NoRead is output.</p>
<b>Parameter</b>	no
<b>Acknowledgement</b>	no

### 11.1.3 'Online' commands for the parameter set operations

#### Copying parameter set

Command	'PC'
<b>Description</b>	This command can only be used to copy parameter sets in their entirety. This can be used to replicate the three parameter sets <b>default</b> , <b>permanent</b> and <b>operating parameters</b> on the basis of one another. In addition, this command can also be used to restore the factory settings.
<b>Parameter</b>	<p>'PC&lt;Source type&gt;&lt;Target type&gt;'</p> <p>&lt;Source type&gt;Parameter data set which is to be copied, unit [dimensionless]</p> <p>'0' Parameter data set in permanent memory</p> <p>'2' Default or factory parameter set</p> <p>'3' Operating parameter data set in volatile memory</p> <p>&lt;Target type&gt;Parameter set to which the data is to be copied, unit [dimensionless]</p> <p>'0' Parameter data set in permanent memory</p> <p>'3' Operating parameter data set in volatile memory</p> <p>Permissible combinations here include:</p> <p>'03' Copying the data set from the permanent memory to the operating parameter data set</p> <p>'30' Copying the operating parameter data set to the permanent parameter set memory</p> <p>'20' Copying the default parameters to the permanent memory and to the main memory</p>
<b>Acknowledgement</b>	<p>'PS=&lt;aa&gt;'</p> <p>&lt;aa&gt; Status acknowledgement, unit [dimensionless]</p> <p>'00' Ok</p> <p>'01' Syntax error</p> <p>'02' Impermissible command length</p> <p>'03' Reserved</p> <p>'04' Reserved</p> <p>'05' Reserved</p> <p>'06' Impermissible combination, source type - target type</p>

**Requesting parameter data set from BCL 500*i* \ BCL 501*i***

Command	'PR'
<b>Description</b>	<p>The parameters of the BCL 500<i>i</i> \ BCL 501<i>i</i> are grouped together in a parameter set and permanently stored in memory. There is one parameter set in permanent memory and one operating parameter set in volatile memory; in addition, there is a default parameter set (factory parameter set) for initialisation. This command can be used to edit the first two parameter sets (in permanent and volatile memory). A check sum can be used for reliable parameter transfer.</p>
<b>Parameter</b>	<p><b>'PR&lt;BCC type&gt;&lt;PS type&gt;&lt;Address&gt;&lt;Data length&gt;[&lt;BCC&gt;]'</b>  <b>&lt;BCC type&gt;</b> Check-digit function during transfer,  unit [dimensionless]  '0' Not used  '3' BCC mode 3  <b>&lt;PS type&gt;</b> Memory from which the values are to be read,  unit [dimensionless]  '0' Parameter values stored in the flash memory  '1' Reserved  '2' Default values  '3' Operating values in RAM  <b>&lt;Address&gt;</b> Relative address of the data within the data set  'aaaa' Four-digit, unit [dimensionless]  <b>&lt;Data length&gt;</b> Length of the parameter data to be transferred  'bbbb' Four-digit, unit [length in bytes]  <b>&lt;BCC&gt;</b> Check sum calculated as specified under BCC type</p>



Command	'PR'
<p><b>Acknowledgement positive</b></p>	<p><b>PT&lt;BCC type&gt;&lt;PS type&gt;&lt;Status&gt;&lt;Start&gt;</b>  <b>&lt;Address parameter value&gt;&lt;Address+1 parameter value&gt;...</b>  <b>[:&lt;Address&gt;&lt;Address parameter value&gt;][&lt;BCC&gt;]</b>  <b>&lt;BCC type&gt;</b> Check-digit function during transfer,                      unit [dimensionless]                      '0' Not used                      '3' BCC mode 3  <b>&lt;PS type&gt;</b> Memory from which the values are to be read,                      unit [dimensionless]                      '0' Parameter values stored in the flash memory                      '2' Default values                      '3' Operating values in RAM  <b>&lt;Status&gt;</b> Mode of parameter processing, unit [dimensionless]                      '0' No further parameters                      '1' Additional parameters follow  <b>&lt;Start&gt;</b> Relative address of the data within the data set,                      'aaaa' Four-digit, unit [dimensionless]  <b>&lt;P.value A.&gt;</b> Parameter value of the parameter stored at this address;                      the parameter set data 'bb' is converted from HEX format to a 2-byte ASCII-format for transfer.  <b>&lt;BCC&gt;</b> Check sum calculated as specified under BCC type</p>
<p><b>Acknowledgement negative</b></p>	<p><b>'PS=&lt;aa&gt;'</b>                      Parameter reply:  <b>&lt;aa&gt;</b> Status acknowledgement, unit [dimensionless]                      '01' Syntax error                      '02' Impermissible command length                      '03' Impermissible value for check-sum type                      '04' Invalid check sum received                      '05' Impermissible number of data requested                      '06' Requested data does not (any longer) fit in the transmission buffer                      '07' Impermissible address value                      '08' Read access after end of data set                      '09' Impermissible QPF data set type</p>

**Determining parameter set difference to default parameters**

Command	'PD'
<p><b>Description</b></p>	<p>This command outputs the difference between the default parameter set and the operating parameter set or the difference between the default parameter set and the permanent parameter set.</p> <p><b>Comment:</b> The reply supplied by this command can e.g. be directly used for programming a device with factory settings, whereby this device receives the same configuration as the device on which the PD-sequence was executed.</p>
<p><b>Parameter</b></p>	<p>'PD&lt;P.set1&gt;&lt;P.set2&gt;'            &lt;P.set1&gt; Parameter data set which is to be copied, unit [dimensionless]            '0' Parameter data set in permanent memory            '2' Default or factory parameter set            &lt;P.set2&gt; Parameter set to which the data is to be copied, unit [dimensionless]            '0' Parameter data set in permanent memory            '3' Operating parameter data set in volatile memory            Permissible combinations here include:            '20' Output of the parameter differences between the default and the permanently saved parameter set            '23' Output of the parameter differences between the default parameter set and the operating parameter set saved in volatile memory            '03' Output of the parameter differences between the permanent parameter set and the operating parameter set saved in volatile memory</p>
<p><b>Acknowledgement</b> positive</p>	<p>PT&lt;BCC&gt;&lt;PS type&gt;&lt;Status&gt;&lt;Adr.&gt;&lt;P.value adr.&gt;&lt;P.valueAdr.+1&gt;...            [;&lt;Adr.&gt;&lt;P.value adr.&gt;]            &lt;BCC&gt;            '0' No check digit            '3' BCC mode 3            &lt;PS type&gt;            '0' Values stored in flash memory            '3' Operating values stored in RAM            &lt;Status&gt;            '0' No further parameters            '1' Additional parameters follow            &lt;Adr.&gt; Relative address of the data within the data set            'aaaa' Four-digit, unit [dimensionless]            &lt;P.value&gt; Parameter value of the -bb- parameter stored at this address. The parameter set data is converted from HEX format to a 2-byte-ASCII format for transfer.</p>

Command	'PD'
<b>Acknowledgement</b> negative	'PS=<aa>'
	<aa>      Status acknowledgement, unit [dimensionless]
	'0'        No difference
	'1'        Syntax error
	'2'        Impermissible command length
	'6'        Impermissible combination, parameter set 1 and parameter set 2
'8'        Invalid parameter set	

*Writing parameter set*

Command	'PT'
<b>Description</b>	<p>The parameters of the BCL 500<i>i</i> \ BCL 501<i>i</i> are grouped together in a parameter set and permanently stored in memory. There is one parameter set in permanent memory and one operating parameter set in volatile memory; in addition, there is a default parameter set (factory parameter set) for initialisation. This command can be used to edit the first two parameter sets (in permanent and volatile memory). A check sum can be used for reliable parameter transfer.</p>
<b>Parameter</b>	<p><b>PT</b>&lt;BCC type&gt;&lt;PS type&gt;&lt;Status&gt;&lt;Adr.&gt;&lt;P.value adr.&gt;&lt;P.value adr+1&gt;...[;&lt;Adr.&gt;&lt;P.value adr.&gt;][&lt;BCC&gt;]</p> <p><b>&lt;BCC type&gt;</b> Check-digit function during transfer, unit [dimensionless]            '0' No check digit            '3' BCC mode 3</p> <p><b>&lt;PS type&gt;</b> Memory from which the values are to be read, unit [dimensionless]            '0' Parameter values stored in the flash memory            '3' Operating values stored in RAM</p> <p><b>&lt;Status&gt;</b> Mode of parameter processing, without function here, unit [dimensionless]            '0' No reset after parameter change, no further parameters follow            '1' No reset after parameter change, additional parameters follow            '2' With reset after parameter change, no further parameters            '6' Set parameters to factory setting, no further parameters            '7' Set parameters to factory settings, lock all code types; the code-type setting must follow in the command!</p> <p><b>&lt;Adr.&gt;</b> Relative address of the data within the data set, 'aaaa'            Four-digit, unit [dimensionless]</p> <p><b>&lt;P.value&gt;</b> Parameter value of the -bb- parameter stored at this address. The parameter set data is converted from HEX format to a 2-byte-ASCII format for transfer.</p> <p><b>&lt;BCC&gt;</b> Check sum calculated as specified under BCC type</p>

Command	'PT'
<b>Acknowledgement</b>	'PS=<aa>'
	Parameter reply:
	<aa>      Status acknowledgement, unit [dimensionless]
	'01'      Syntax error
	'02'      Impermissible command length
	'03'      Impermissible value for check-sum type
	'04'      Invalid check sum received
	'05'      Impermissible data length
	'06'      Invalid data (parameter limits violated)
	'07'      Invalid start address
'08'      Invalid parameter set	
'09'      Invalid parameter set type	

## 12 Diagnostics and troubleshooting

### 12.1 General causes of errors

Error	Possible error cause	Measures
<b>Status LED PWR</b>		
Off	<ul style="list-style-type: none"> <li>No supply voltage connected to the device</li> <li>Hardware error</li> </ul>	<input type="checkbox"/> Check supply voltage <input type="checkbox"/> Send device to customer service
Red, flashing	<ul style="list-style-type: none"> <li>Warning</li> </ul>	<input type="checkbox"/> Query diagnostic data and carry out the resulting measures
Red, continuous light	<ul style="list-style-type: none"> <li>Error: no function possible</li> </ul>	<input type="checkbox"/> Internal device error, send in device
Orange, continuous light	<ul style="list-style-type: none"> <li>Device in service mode</li> </ul>	<input type="checkbox"/> Reset service mode with webConfig tool or display
<b>Status LED BUS</b>		
Off	<ul style="list-style-type: none"> <li>No supply voltage connected to the device</li> <li>Hardware error</li> </ul>	<input type="checkbox"/> Check supply voltage <input type="checkbox"/> Send device to customer service
Red, flashing	<ul style="list-style-type: none"> <li>Communication error</li> <li>With slave: network error</li> <li>With master: network error following initialisation</li> </ul>	<input type="checkbox"/> Check interface <input type="checkbox"/> Check interface, addressing and el. connection of the slave <input type="checkbox"/> Check interface, addressing and el. connection of the slave
Red, continuous light	<ul style="list-style-type: none"> <li>No communication</li> <li>Incorrect wiring.</li> <li>Incorrect address</li> </ul>	<input type="checkbox"/> Check interface <input type="checkbox"/> Check wiring <input type="checkbox"/> Check addressing
Orange, flashing	<ul style="list-style-type: none"> <li>Timeout -&gt; Error on interface</li> </ul>	<input type="checkbox"/> Check interface wiring

Table 12.1: General causes of errors

### 12.2 Interface errors

Error	Possible error cause	Measures
No communication via USB service interface	<ul style="list-style-type: none"> <li>Incorrect connection cable</li> <li>Connected BCL 500<i>f</i> \ BCL 501<i>f</i> is not detected</li> </ul>	<input type="checkbox"/> Check connection cable <input type="checkbox"/> Install USB driver
No communication via RS 232 / RS 422 / RS 485	<ul style="list-style-type: none"> <li>Incorrect wiring.</li> <li>Different baud rates</li> <li>Different protocol settings</li> </ul>	<input type="checkbox"/> Check wiring <input type="checkbox"/> Check baud rate <input type="checkbox"/> Check protocol settings
Sporadic errors on the RS 232 / RS 422 / RS 485 interface	<ul style="list-style-type: none"> <li>Incorrect wiring.</li> <li>Effects due to EMC.</li> <li>Overall network expansion exceeded.</li> </ul>	<input type="checkbox"/> Check wiring <ul style="list-style-type: none"> <li>In particular, check wire shielding</li> <li>Check the cable used</li> </ul> <input type="checkbox"/> Check shielding (shield covering in place up to the clamping point) <input type="checkbox"/> Check grounding concept and connection to functional earth (FE) <input type="checkbox"/> Avoid EMC coupling caused by power cables laid parallel to device lines. <input type="checkbox"/> Check max. network expansion as a function of the max. cable lengths.

Table 12.2: Interface error

**Notice!**

Please use **chapter 12 as a master copy** should servicing be required.

Cross the items in the "Measures" column which you have already examined, fill out the following address field and fax the pages together with your service contract to the fax number listed below.

**Customer data (please complete)**

Device type:	
Company:	
Contact partner / department:	
Phone (direct):	
Fax:	
Street / No:	
ZIP code/City:	
Country:	

**Leuze Service fax number:**

**+49 7021 573 - 199**

### 13 Type overview and accessories

#### 13.1 Type key

**BCL 500*i* OM100H**

Heating option	H =	With heating
	0	Lateral
Beam exit	2	Front
	N	High Density (near)
Optics	M	Medium Density (medium distance)
	F	Low Density (remote)
	L	Ultra Low Density (very large distances)
Scanning principle	S	Line scanner (single line)
	O	Oscillating-mirror scanner
Interface	<i>i</i> =	Integrated fieldbus technology
	0	RS 232/RS 422/RS 485 (multiNet Master)
	1	RS 485 (multiNet Slave)
	4	PROFIBUS DP
	8	ETHERNET / PROFINET
BCL		Barcode reader

#### 13.2 Type overview BCL 500*i*

##### 13.2.1 BCL 500*i*

(Stand alone or multiNet plus master with 1 x RS 232/RS 422 and 1 x RS 485 interface)

Type designation	Description	Part No.
<b>High Density Optics (m = 0.25 ... 0.5mm)</b>		
BCL 500 <i>i</i> SN 100	Line scanner with deflection mirror	501 05453
BCL 500 <i>i</i> SN 102	Line scanner, beam exit at the front	501 05454
BCL 500 <i>i</i> ON 100	Oscillating-mirror scanner	501 05455
BCL 500 <i>i</i> SN 100 H	Line scanner with deflection mirror, with heating	501 05456
BCL 500 <i>i</i> SN 102 H	Line scanner, beam exit at the front, with heating	501 05457
BCL 500 <i>i</i> ON 100 H	Oscillating-mirror scanner with heating	501 05458
<b>Medium Density Optics (m = 0.35 ... 1.0mm)</b>		
BCL 500 <i>i</i> SM 100	Line scanner with deflection mirror	501 05459
BCL 500 <i>i</i> SM 102	Line scanner, beam exit at the front	501 05460
BCL 500 <i>i</i> OM 100	Oscillating-mirror scanner	501 05461
BCL 500 <i>i</i> SM 100 H	Line scanner with deflection mirror, with heating	501 05462
BCL 500 <i>i</i> SM 102 H	Line scanner, beam exit at the front, with heating	501 05463
BCL 500 <i>i</i> OM 100 H	Oscillating-mirror scanner with heating	501 05464

Table 13.1: Type overview BCL 500*i*



Type designation	Description	Part No.
<b>Low Density Optics (m = 0.5 ... 1.0mm)</b>		
BCL 500 <i>i</i> SF 100	Line scanner with deflection mirror	501 05465
BCL 500 <i>i</i> SF 102	Line scanner, beam exit at the front	501 05466
BCL 500 <i>i</i> OF 100	Oscillating-mirror scanner	501 05467
BCL 500 <i>i</i> SF 100 H	Line scanner with deflection mirror, with heating	501 05468
BCL 500 <i>i</i> SF 102 H	Line scanner, beam exit at the front, with heating	501 05469
BCL 500 <i>i</i> OF 100 H	Oscillating-mirror scanner with heating	501 05470
<b>Ultra Low Density Optics (m = 0.7 ... 1.0mm)</b>		
BCL 500 <i>i</i> SL 102	Line scanner, beam exit at the front	501 09911
BCL 500 <i>i</i> OL 100	Oscillating-mirror scanner	501 09912
BCL 500 <i>i</i> SL 102 H	Line scanner, beam exit at the front, with heating	501 09914
BCL 500 <i>i</i> OL 100 H	Oscillating-mirror scanner with heating	501 09915

Table 13.1: Type overview BCL 500*i*

13.2.2 BCL 501*i*

(multiNet plus slave with 1 x RS 485 interface at 2x M12 B-coded connectors)

Type designation	Description	Part No.
<b>High Density Optics (m = 0.25 ... 0.5mm)</b>		
BCL 501 <i>i</i> /SN 100	Line scanner with deflection mirror	501 05471
BCL 501 <i>i</i> /SN 102	Line scanner, beam exit at the front	501 05472
BCL 501 <i>i</i> /ON 100	Oscillating-mirror scanner	501 05473
BCL 501 <i>i</i> /SN 100 H	Line scanner with deflection mirror, with heating	501 05474
BCL 501 <i>i</i> /SN 102 H	Line scanner, beam exit at the front, with heating	501 05475
BCL 501 <i>i</i> /ON 100 H	Oscillating-mirror scanner with heating	501 05476
<b>Medium Density Optics (m = 0.35 ... 1.0mm)</b>		
BCL 501 <i>i</i> /SM 100	Line scanner with deflection mirror	501 05477
BCL 501 <i>i</i> /SM 102	Line scanner, beam exit at the front	501 05478
BCL 501 <i>i</i> /OM 100	Oscillating-mirror scanner	501 05479
BCL 501 <i>i</i> /SM 100 H	Line scanner with deflection mirror, with heating	501 05480
BCL 501 <i>i</i> /SM 102 H	Line scanner, beam exit at the front, with heating	501 05481
BCL 501 <i>i</i> /OM 100 H	Oscillating-mirror scanner with heating	501 05482
<b>Low Density Optics (m = 0.5 ... 1.0mm)</b>		
BCL 501 <i>i</i> /SF 100	Line scanner with deflection mirror	501 05483
BCL 501 <i>i</i> /SF 102	Line scanner, beam exit at the front	501 05484
BCL 501 <i>i</i> /OF 100	Oscillating-mirror scanner	501 05485
BCL 501 <i>i</i> /SF 100 H	Line scanner with deflection mirror, with heating	501 05486
BCL 501 <i>i</i> /SF 102 H	Line scanner, beam exit at the front, with heating	501 05487
BCL 501 <i>i</i> /OF 100 H	Oscillating-mirror scanner with heating	501 05488
<b>Ultra Low Density Optics (m = 0.7 ... 1.0mm)</b>		
BCL 501 <i>i</i> /SL 102	Line scanner, beam exit at the front	501 09890
BCL 501 <i>i</i> /OL 100	Oscillating-mirror scanner	501 09891
BCL 501 <i>i</i> /SL 102 H	Line scanner, beam exit at the front, with heating	501 09893
BCL 501 <i>i</i> /OL 100 H	Oscillating-mirror scanner with heating	501 09894

Table 13.2: Type overview BCL 501*i*

### 13.3 Accessory terminating resistor

Type designation	Description	Part No.
TS 02-4-SO M12	M12 connector with integrated terminating resistor for BUS OUT	50038539

Table 13.3: Terminating resistor for the BCL 500*i* \ BCL 501*i*

### 13.4 Accessory connectors

Type designation	Description	Part No.
KD 02-5-BA	M12 socket for HOST or BUS IN	50038538
KD 02-5-SA	M12 connector for BUS OUT	50038537
KD 095-5A	M12 socket for voltage supply	50020501
KS 095-4A	M12 connector for SW IN/OUT	50040155
KDS BUS OUT M12-T-5P	M12 T-connector for BUS OUT	50109834

Table 13.4: Connectors for the BCL 500*i* \ BCL 501*i*

### 13.5 Accessory USB cable

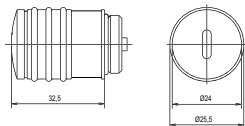
Type designation	Description	Part No.
KB USB-Service	USB service cable	50107726

Table 13.5: Cables for the BCL 500*i* \ BCL 501*i*

### 13.6 Accessory external parameter memory

Type designation	Description	Part No.
USB Memory Set	External USB parameter memory	50108833

Table 13.6: External parameter memory for the BCL 500*i* \ BCL 501*i*



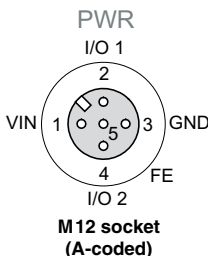
### 13.7 Accessory mounting device

Type designation	Description	Part No.
BT 56	Mounting device for rod	50027375

Table 13.7: Mounting devices for the BCL 500*i* \ BCL 501*i*

### 13.8 Accessory ready-made cables for voltage supply

#### 13.8.1 Contact assignment of PWR connection cable

PWR connection cable (5-pin socket, A-coded)			
	Pin	Name	Core colour
 <p>PWR I/O 1 2 VIN 1 3 GND 4 FE I/O 2 M12 socket (A-coded)</p>	1	VIN	<b>brown</b>
	2	I/O 1	<b>white</b>
	3	GND	<b>blue</b>
	4	I/O 2	<b>black</b>
	5	FE	<b>grey</b>
	Thread	FE	<b>bare</b>

#### 13.8.2 Specifications of the cables for voltage supply

<b>Operating temperature range</b>	in rest state: -30°C ... +70°C
	in motion: -5°C ... +70°C
<b>Material</b>	sheathing: PVC
<b>Bending radius</b>	> 50mm

#### 13.8.3 Order codes of the cables for voltage supply

Type designation	Description	Part No.
K-D M12A-5P-5m-PVC	M12 socket for PWR, axial connector, open line end, cable length 5m	50104557
K-D M12A-5P-10m-PVC	M12 socket for PWR, axial connector, open line end, cable length 10m	50104559

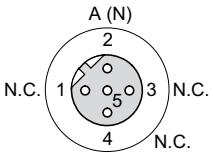
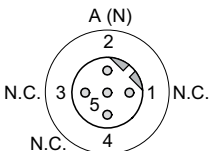
Table 13.8: PWR cables for the BCL 500*i* \ BCL 501*i*

### 13.9 Accessory ready-made cables for bus connection

#### 13.9.1 General information

- Cable **KB PB...** for connecting to the BUS IN/BUS OUT M12 connector
- Standard cables available in lengths from 2 ... 30m
- Special cables on request.

#### 13.9.2 Contact assignment of KB PB... connection cable for PROFIBUS/multiNet plus

PROFIBUS/multiNet plus connection cable (5-pin socket/connector, B-coded)			
	Pin	Name	Core colour
 <p><b>M12 socket (B-coded)</b></p>  <p><b>M12 connector (B-coded)</b></p>	1	N.C.	–
	2	A (N)	<b>green</b>
	3	N.C.	–
	4	B (P)	<b>red</b>
	5	N.C.	–
	Thread	FE	<b>bare</b>

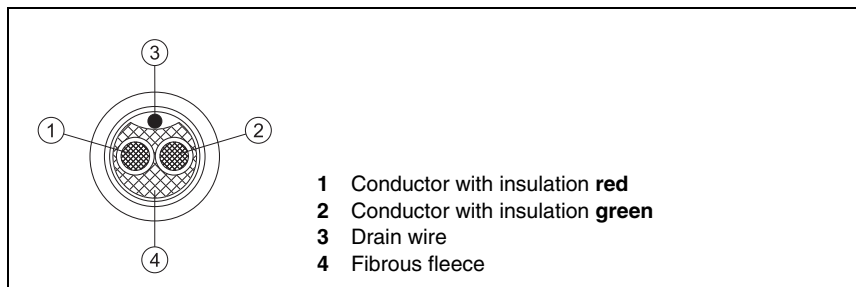


Figure 13.9: Cable structure of PROFIBUS/multiNet plus connection cable



## 14 Maintenance

### 14.1 General maintenance information

Usually, the barcode reader BCL 500*i* \ BCL 501*i* does not require any maintenance by the operator.

#### **Cleaning**

In the event of dust build-up, clean the BCL 500*i* \ BCL 501*i* with a soft cloth; use a cleaning agent (commercially available glass cleaner) if necessary.




#### **Notice!**

*Do not use aggressive cleaning agents such as thinner or acetone for cleaning the device. Use of improper cleaning agents can damage the optical window.*

### 14.2 Repairs, servicing

Repairs to the device must only be carried out by the manufacturer.

 *Contact your Leuze distributor or service organisation should repairs be required. The addresses can be found on the inside of the cover and on the back.*



#### **Notice!**

*When sending devices to Leuze electronic for repair, please provide an accurate description of the error.*

### 14.3 Disassembling, packing, disposing

#### **Repacking**

For later re-use, the device is to be packed so that it is protected.



#### **Notice!**

*Electrical scrap is a special waste product! Observe the locally applicable regulations regarding disposal of the product.*





## 15.2 ASCII character set

ASCII	Dec.	Hex.	Oct.	Designation	Meaning
NUL	0	00	0	NULL	Null
SOH	1	01	1	START OF HEADING	Start of heading
STX	2	02	2	START OF TEXT	Start of text characters
ETX	3	03	3	END OF TEXT	Last character of text
EOT	4	04	4	END OF TRANSMISS.	End of transmission
ENQ	5	05	5	ENQUIRY	Request for data trans.
ACK	6	06	6	ACKNOWLEDGE	Positive acknowledgement
BEL	7	07	7	BELL	Bell signal
BS	8	08	10	BACKSPACE	Backspace
HT	9	09	11	HORIZ. TABULATOR	Horizontal tabulator
LF	10	0A	12	LINE FEED	Line feed
VT	11	0B	13	VERT. TABULATOR	Vertical tabulator
FF	12	0C	14	FORM FEED	Form feed
CR	13	0D	15	CARRIAGE RETURN	Carriage return
SO	14	0E	16	SHIFT OUT	Shift out
SI	15	0F	17	SHIFT IN	Shift in
DLE	16	10	20	DATA LINK ESCAPE	Data link escape
DC1	17	11	21	DEVICE CONTROL 1	Device control character 1
DC2	18	12	22	DEVICE CONTROL 2	Device control character 2
DC3	19	13	23	DEVICE CONTROL 3	Device control character 3
DC4	20	14	24	DEVICE CONTROL 4	Device control character 4
NAK	21	15	25	NEG. ACKNOWLEDGE	Negative acknowledge
SYN	22	16	26	SYNCHRONOUS IDLE	Synchronization
ETB	23	17	27	EOF TRANSM. BLOCK	End of data transmission block
CAN	24	18	30	CANCEL	Invalid
EM	25	19	31	END OF MEDIUM	End of medium
SUB	26	1A	32	SUBSTITUTE	Substitution
ESC	27	1B	33	ESCAPE	Escape
FS	28	1C	34	FILE SEPARATOR	File separator
GS	29	1D	35	GROUP SEPARATOR	Group separator
RS	30	1E	36	RECORD SEPARATOR	Record separator
US	31	1F	37	UNIT SEPARATOR	Unit separator
SP	32	20	40	SPACE	Space
!	33	21	41	EXCLAMATION POINT	Exclamation point

ASCII	Dec.	Hex.	Oct.	Designation	Meaning
"	34	22	42	QUOTATION MARK	Quotation mark
#	35	23	43	NUMBER SIGN	Number sign
\$	36	24	44	DOLLAR SIGN	Dollar sign
%	37	25	45	PERCENT SIGN	Percent sign
&	38	26	46	AMPERSAND	Ampersand
'	39	27	47	APOSTROPHE	Apostrophe
(	40	28	50	OPEN. PARENTHESIS	Open parenthesis
)	41	29	51	CLOS. PARENTHESIS	Closed parenthesis
*	42	2A	52	ASTERISK	Asterisk
+	43	2B	53	PLUS	Plus sign
,	44	2C	54	COMMA	Comma
-	45	2D	55	HYPHEN (MINUS)	Hyphen
.	46	2E	56	PERIOD (DECIMAL)	Period (decimal)
/	47	2F	57	SLANT	Slant
0	48	30	60	0	Number
1	49	31	61	1	Number
2	50	32	62	2	Number
3	51	33	63	3	Number
4	52	34	64	4	Number
5	53	35	65	5	Number
6	54	36	66	6	Number
7	55	37	67	7	Number
8	56	38	70	8	Number
9	57	39	71	9	Number
:	58	3A	72	COLON	Colon
;	59	3B	73	SEMI-COLON	Semi-colon
<	60	3C	74	LESS THAN	Less than
=	61	3D	75	EQUALS	Equals
>	62	3E	76	GREATER THAN	Greater than
?	63	3F	77	QUESTION MARK	Question mark
@	64	40	100	COMMERCIAL AT	Commercial AT
A	65	41	101	A	Capital letter
B	66	42	102	B	Capital letter
C	67	43	103	C	Capital letter
D	68	44	104	D	Capital letter

ASCII	Dec.	Hex.	Oct.	Designation	Meaning
E	69	45	105	E	Capital letter
F	70	46	106	F	Capital letter
G	71	47	107	G	Capital letter
H	72	48	110	H	Capital letter
I	73	49	111	I	Capital letter
J	74	4A	112	J	Capital letter
K	75	4B	113	K	Capital letter
L	76	4C	114	L	Capital letter
M	77	4D	115	M	Capital letter
N	78	4E	116	N	Capital letter
O	79	4F	117	O	Capital letter
P	80	50	120	P	Capital letter
Q	81	51	121	Q	Capital letter
R	82	52	122	R	Capital letter
S	83	53	123	S	Capital letter
T	84	54	124	T	Capital letter
U	85	55	125	U	Capital letter
V	86	56	126	V	Capital letter
W	87	57	127	W	Capital letter
X	88	58	130	X	Capital letter
Y	89	59	131	Y	Capital letter
Z	90	5A	132	Z	Capital letter
[	91	5B	133	OPENING BRACKET	Opening bracket
\	92	5C	134	REVERSE SLANT	Reverse slant
]	93	5D	135	CLOSING BRACKET	Closing bracket
^	94	5E	136	CIRCUMFLEX	Circumflex
_	95	5F	137	UNDERSCORE	Underscore
`	96	60	140	GRAVE ACCENT	Grave accent
a	97	61	141	a	Lower case letter
b	98	62	142	b	Lower case letter
c	99	63	143	c	Lower case letter
d	100	64	144	d	Lower case letter
e	101	65	145	e	Lower case letter
f	102	66	146	f	Lower case letter
g	103	67	147	g	Lower case letter

ASCII	Dec.	Hex.	Oct.	Designation	Meaning
h	104	68	150	h	Lower case letter
i	105	69	151	i	Lower case letter
j	106	6A	152	j	Lower case letter
k	107	6B	153	k	Lower case letter
l	108	6C	154	l	Lower case letter
m	109	6D	155	m	Lower case letter
n	110	6E	156	n	Lower case letter
o	111	6F	157	o	Lower case letter
p	112	70	160	p	Lower case letter
q	113	71	161	q	Lower case letter
r	114	72	162	r	Lower case letter
s	115	73	163	s	Lower case letter
t	116	74	164	t	Lower case letter
u	117	75	165	u	Lower case letter
v	118	76	166	v	Lower case letter
w	119	77	167	w	Lower case letter
x	120	78	170	x	Lower case letter
y	121	79	171	y	Lower case letter
z	122	7A	172	z	Lower case letter
{	123	7B	173	OPENING BRACE	Opening brace
	124	7C	174	VERTICAL LINE	Vertical line
}	125	7D	175	CLOSING BRACE	Closing brace
~	126	7E	176	TILDE	Tilde
DEL	127	7F	177	DELETE (RUBOUT)	Delete

## 15.3 Barcode samples

### 15.3.1 Module 0.3

Code type 01: Interleaved 2 of 5

Modul 0,3



1122334455

Code type 02: Code 39

Modul 0,3



135AC

Code type 11: Codabar

Modul 0,3



A121314A

Code 128

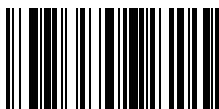
Modul 0,3



abcde

Code type 08: EAN 128

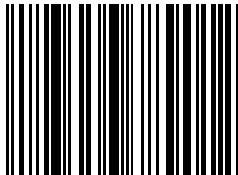
Modul 0,3



leuze

Code type 06: UPC-A

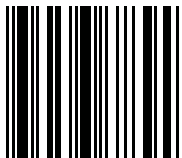
SC 2



1 23456 78901 2

Code type 07: EAN 8

SC 3



3456 7890

Code type 10: EAN 13 Add-on

SC 0

S



1 122334 455666

77889

Figure 15.1:Barcode sample labels (module 0.3)

15.3.2 Module 0.5

Code type 01: Interleaved 2 of 5

Modul 0,5



Code type 02: Code 39

Modul 0,5



Code type 11: Codabar

Modul 0,5



Code 128

Modul 0,5



Code type 08: EAN 128

Modul 0,5



Code type 06: UPC-A

SC 4



Code type 07: EAN 8

SC 6



Code type 10: EAN 13 Add-on

SC 2



Figure 15.2:Barcode sample labels (module 0.5)

Level 1 ⬆️⬇️⬆️ : selection	Level 2 ⬆️⬇️⬆️ : selection ESC : back	Level 3 ⬆️⬇️⬆️ : selection ESC : back	Level 4 ⬆️⬇️⬆️ : selection ESC : back	Level 5 ⬆️⬇️⬆️ : selection ESC : back	Selection/configuration option ⬆️⬇️⬆️ : selection ⬆️⬇️⬆️ : activate ESC : back	Detailed information on
Device information						page 91
Barcode window						page 87
Parameter	⬆️⬇️⬆️ Parameter handling	⬆️⬇️⬆️ Parameter enabling			OFF/ON	page 92
		⬆️⬇️⬆️ Parameters to default			All parameters are reset to their factory settings	
	⬆️⬇️⬆️ Decoder table	⬆️⬇️⬆️ Max. no. of labels			Sets the number of labels to be decoded (0 ... 64)	page 93
		⬆️⬇️⬆️ Decoder 1-4	⬆️⬇️⬆️ Symbology		Code type: no code / Code 2 of 5 Interleaved / Code 39 / Code 32 / Code UPC / Code EAN / Code 128 / EAN Addendum / Codabar / Code 93 / RSS 14 / RSS Limited / RSS Expanded	
			⬆️⬇️⬆️ Number of digits	⬆️⬇️⬆️ Interval mode	OFF / ON to specify a range of permitted numbers of digits	
				⬆️⬇️⬆️ Digits 1-5	0 ... 64 characters	
			⬆️⬇️⬆️ Reading reliability		2 ... 100	
			⬆️⬇️⬆️ Check digit method		Check digit method used for decoding	
			⬆️⬇️⬆️ Check digit transm.		Check digit transmission different from standard / as required by the standard	
	⬆️⬇️⬆️ Digital SWIO	⬆️⬇️⬆️ Sw. input/output 1-4	⬆️⬇️⬆️ I/O mode		Input / Output / Passive	page 96
			⬆️⬇️⬆️ Switching input	⬆️⬇️⬆️ Inverted	OFF / ON	
				⬆️⬇️⬆️ Debounce time	0 ... 1000ms	
				⬆️⬇️⬆️ Start-up delay	0 ... 65535ms	
				⬆️⬇️⬆️ Pulse duration	0 ... 65535ms	
				⬆️⬇️⬆️ Switch-off delay	0 ... 65535ms	
				⬆️⬇️⬆️ Function	Function that is carried out after the switching input is activated	
			⬆️⬇️⬆️ Switching output	⬆️⬇️⬆️ Inverted	OFF / ON	
				⬆️⬇️⬆️ Signal delay	0 ... 65535ms	
				⬆️⬇️⬆️ Pulse duration	0 ... 65535ms	
				⬆️⬇️⬆️ Activ. function 1-4	Specifies the event that activates the switching output	
				⬆️⬇️⬆️ Deactiv. function 1-4	Specifies the event that deactivates the switching output	
	⬆️⬇️⬆️ Com	⬆️⬇️⬆️ Operating mode			Single device / Network master / Network slave	page 99
		⬆️⬇️⬆️ HOST / BUS IN	⬆️⬇️⬆️ Protocol type		Set according to operating mode	
			⬆️⬇️⬆️ Interface	⬆️⬇️⬆️ Baud rate	110 ... 115200 Baud	
				⬆️⬇️⬆️ Data format	7N1 / 7N2 / 7E1 / 7E2 / 7O1 / 7O2 / 8N1 / 8N2 / 8E1 / 8E2 / 8O1 / 8O2 / 9N1	
				⬆️⬇️⬆️ Handshake	None / RTS CTS / XON XOFF	
				⬆️⬇️⬆️ Standard	RS232 / RS422 / RS485	
			⬆️⬇️⬆️ Framing protocol	⬆️⬇️⬆️ RX	Prefix 1 ... 3 / Postfix 1 ... 3 / BCC mode	
				⬆️⬇️⬆️ TX	Prefix 1 ... 3 / Postfix 1 ... 3 / BCC mode	
				⬆️⬇️⬆️ Address format	No address / Binary address / ASCII address / Auto. address	
				⬆️⬇️⬆️ Address	Address of the BCL 500i \ BCL 501i	
		⬆️⬇️⬆️ BUS OUT	⬆️⬇️⬆️ multiNet master	⬆️⬇️⬆️ Maximum no. of slaves	0 ... 31, no. of slave participants in Leuze multiNet	
			⬆️⬇️⬆️ multiNet slave	⬆️⬇️⬆️ Slave address	0 ... 31, station number of the slave	
Language	⬆️⬇️⬆️				Deutsch / English / Español / Français / Italiano	page 100
Service	⬆️⬇️⬆️ Diagnostics				Number of readings, reading gates, reading rate / non-reading rate etc..	page 101
	⬆️⬇️⬆️ Status messages				Exclusively for service purposes by Leuze electronic	
Actions	⬆️⬇️⬆️ Start decoding	Stop decoding			Perform a single reading	page 101
	⬆️⬇️⬆️ Start alignment	Stop alignment			Alignment aid (alignment mode)	
	⬆️⬇️⬆️ Start auto-setup	Stop auto-setup			Automatic detection of code type and number of digits	
	⬆️⬇️⬆️ Start teach-in	Stop teach-in			Teach-in of a reference code	