

## Technical data sheet

### Mounting device

Part no.: 424441

BT-MLC-S-L

#### Contents

- Technical data
- Dimensioned drawings

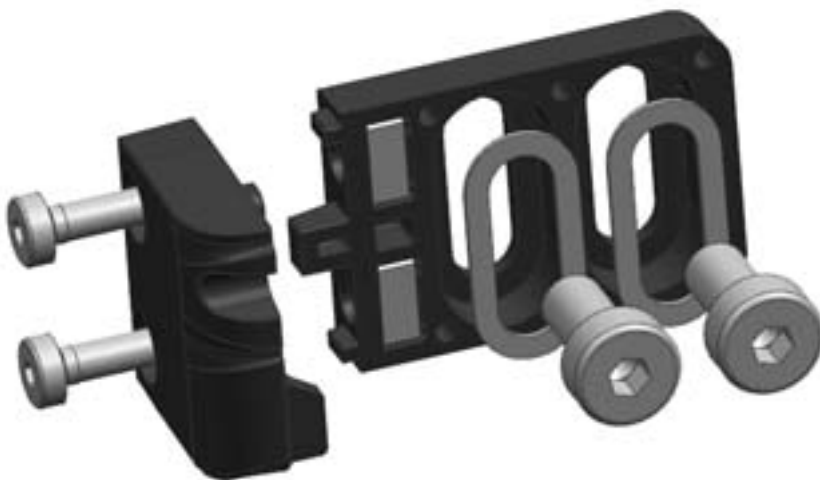


Figure can vary

## Technical data

### Basic data

Suitable for	MLC 520S safety light curtains
--------------	--------------------------------

### Mechanical data

Type of fastening, at system	Screw type
Type of fastening, at device	Clampable
Type of mounting device	L-shaped mounting bracket
Mounting device material	Plastic

### Classification

Customs tariff number	39269097
eCl@ss 5.1.4	27279202
eCl@ss 8.0	27279202
eCl@ss 9.0	27273701
eCl@ss 10.0	27273701
eCl@ss 11.0	27273701
ETIM 5.0	EC002498
ETIM 6.0	EC003015
ETIM 7.0	EC003015

## Dimensioned drawings

All dimensions in millimeters

