

Technical data sheet

Distribution box

Part no.: 50130606

MD 7XXP-11-42IO5-13

Contents

- Technical data
- Dimensioned drawings
- Electrical connection
- Circuit diagrams
- Operation and display
- Accessories



Figure can vary



Technical data

Electrical data

Switching signal	PNP
------------------	-----

Performance data

Total current	8 A
---------------	-----

Input data logic

Nominal input voltage U_N	24 V DC
-----------------------------	---------

Connection

Master connection

Type of connection	Connector
--------------------	-----------

Function	Connection to the control
----------	---------------------------

Thread size	M23
-------------	-----

No. of pins	12 -pin
-------------	---------

Encoding	A-coded
----------	---------

Type	Male
------	------

Distribution box connections

Number of connections	4 Piece(s)
-----------------------	------------

Thread size	M12
-------------	-----

No. of pins	5 -pin
-------------	--------

Encoding	A-coded
----------	---------

Type	Female
------	--------

Material	Plastic
----------	---------

Material of O-ring seal	TPU
-------------------------	-----

Material of contacts	Gold-plated
----------------------	-------------

Operating current per contact	1.5 A
-------------------------------	-------

Mechanical data

Design	Cubic
--------	-------

Dimension (W x H x L)	50 mm x 36.5 mm x 100 mm
-----------------------	--------------------------

Housing material	Plastic
------------------	---------

Net weight	140 g
------------	-------

Screw tightening torque	1 N·m
-------------------------	-------

Operation and display

Type of display	LED
-----------------	-----

Environmental data

Ambient temperature, operation	-20 ... 70 °C, Depending on the connected cable
--------------------------------	---

Certifications

Degree of protection	IP 65
----------------------	-------

IP 67

Certifications	c UL US
----------------	---------

Classification

Customs tariff number	85369010
-----------------------	----------

eCl@ss 5.1.4	27279201
--------------	----------

eCl@ss 8.0	27279219
------------	----------

eCl@ss 9.0	27440108
------------	----------

eCl@ss 10.0	27440108
-------------	----------

eCl@ss 11.0	27440108
-------------	----------

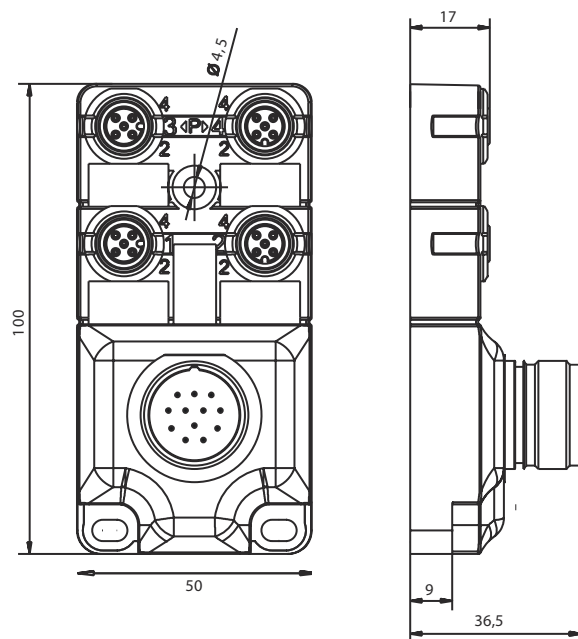
ETIM 5.0	EC002585
----------	----------

ETIM 6.0	EC002585
----------	----------

ETIM 7.0	EC002585
----------	----------

Dimensioned drawings

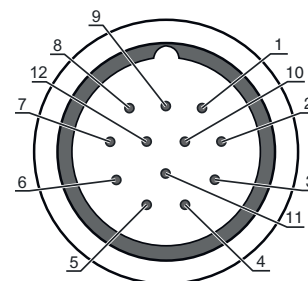
All dimensions in millimeters



Electrical connection

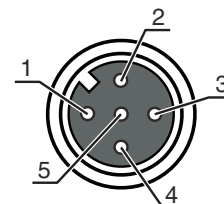
Pin **Pin assignment**

1	Socket 1 / contact 4
2	Socket 2 / contact 4
3	Socket 3 / contact 4
4	Socket 4 / contact 4
5	Socket 1 / contact 2
6	Socket 2 / contact 2
7	Socket 3 / contact 2
8	Socket 4 / contact 2
9	Socket 1-4 / contact 3
10	Socket 1-4 / contact 3
11	Socket 1-4 / contact 1
12	Socket 1-4 / contact 5

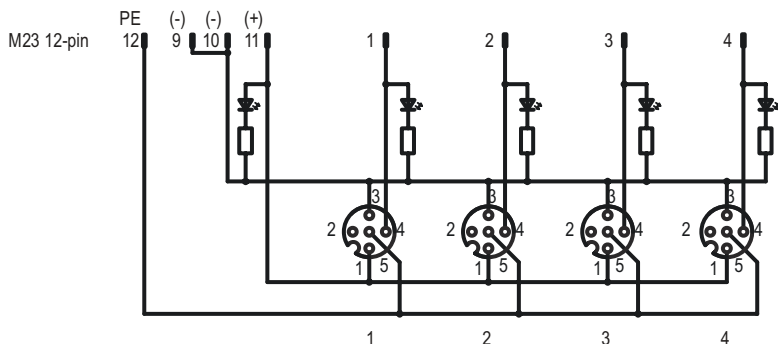


Pin **Pin assignment**

1	+
2	Signal 2 (NC)
3	-
4	Signal 1 (NO)
5	PE



Circuit diagrams



Operation and display

LED	Display	Meaning
1	Green, continuous light	Operating voltage applied
2	Yellow, continuous light	Signal 1
3	White, continuous light	Signal 2

Accessories

Connection technology - Connection cables

	Part no.	Designation	Article	Description
	50134969	KD U-M23-CA-P1-050	Connection cable	Connection 1: Connector, M23, Axial, Female, A-coded, 12 -pin Connection 2: Open end Shielded: No Cable length: 5,000 mm Sheathing material: PUR
	50134973	KD U-M23-CW-P1-050	Connection cable	Connection 1: Connector, M23, Angled, Female, A-coded, 12 -pin Connection 2: Open end Shielded: No Cable length: 5,000 mm Sheathing material: PUR

General

	Part no.	Designation	Article	Description
	50134480	CAP M12K-Set	Connection cap	Type: Cap for free sockets Thread size: M12 Material: Plastic

Accessories

Note



🔗 A list with all available accessories can be found on the Leuze website in the Download tab of the article detailed page.