

Technical data sheet Safety locking device

Part no.: 50142117

L300-B1-M31M23B19-SLM24-UCA

Contents

- Technical data
- Dimensioned drawings
- Electrical connection
- Accessories



Figure can vary



Technical data

Basic data

Series	L300-B1
--------	---------

Functions

Functions	Locking device with guard interlocking in acc. with EN ISO 14119 (type 4)
Activation mode of safety outputs	Safety outputs active if safety door is closed and locked
Operating principle	Quiescent current principle – Actuator locked if electromagnet is deactivated

Characteristic parameters

SIL	3, IEC 61508
SILCL	3, IEC/EN 62061
Performance Level (PL)	Up to and including e, EN ISO 13849-1
MTTF _d	2,725 years, EN ISO 13849-1
PFH _d	1.17E-9 per hour
Mission time T _M	20 years, EN ISO 13849-1
Category	4, EN ISO 13849-1
DC	High
Encoding level	High, EN ISO 14119

Electrical data

Type of wiring	Series connection
	Single connection
External safeguarding for supply circuit	2A type Gg (or equivalent)

Performance data

Supply voltage U _B	24 V, DC, -10 ... 10 %
Current consumption, max.	1,200 mA

Inputs

Number of safety-related switching inputs	2 Piece(s)
Number of digital switching inputs	2 Piece(s)

Switching inputs

Type	Digital switching input
Switching voltage, typ.	24 V
Voltage type	DC
Current consumption, typ.	5 mA

Digital switching input 1

Function	I4 activation input: electromagnet
----------	------------------------------------

Digital switching input 2

Function	I3 control input for reset
----------	----------------------------

Safety-related switching inputs

Type	Safety switching input
Voltage type	DC
Switching voltage, typ.	24 V
Current consumption, typ.	5 mA

Outputs

Number of safety-related switching outputs (OSSDs)	2 Piece(s)
Number of digital switching outputs	2 Piece(s)

Safety-related switching outputs

Type	Safety-related switching output OSSD
Voltage type	DC

Safety-related switching output 1

Switching element	Transistor, PNP
-------------------	-----------------

Safety-related switching output 2

Switching element	Transistor, PNP
-------------------	-----------------

Switching outputs

Type	Digital switching output
Voltage type	DC

Switching output 1

Switching element	Transistor, PNP
Function	O3 signal output: protective-device closed

Switching output 2

Switching element	Transistor, PNP
Function	O4 signal output: protective-device locked

Connection

Number of connections	1 Piece(s)
-----------------------	------------

Connection 1

Function	Connection with PLC
	Contact connection
	Voltage supply

Type of connection	Connector
--------------------	-----------

Thread size	M23
-------------	-----

Type	Male
------	------

Material	Metal
----------	-------

No. of pins	19 -pin
-------------	---------

Encoding	A-coded
----------	---------

Mechanical data

Housing material	Metal
------------------	-------

Housing color	Gray
	Red

Type of fastening	Through-hole mounting
-------------------	-----------------------

Side of cable entry	From below
---------------------	------------

Release device	Auxiliary release
----------------	-------------------

Approach speed	0.001 ... 0.5 m/s
----------------	-------------------

Locking force, max.	9,750 N
---------------------	---------

Mechanical life time	1,000,000 actuation cycles, IEC 60947-5-1 switching cycles
----------------------	--

Actuation frequency, max.	600 per hour, IEC 60947-5-1
---------------------------	-----------------------------

Extraction force, unlocked actuator	30 N
-------------------------------------	------

RFID sensor data

Assured operating distance S _{ao}	2 mm
--	------

Assured cut-out distance S _{ar}	10 mm (actuator locked)
	4 mm (actuator not locked)

Nominal switching distance S _n	2.5 mm
---	--------

Repeatability	≤ 10 % S _n
---------------	-----------------------

Max. switching frequency	1 Hz
--------------------------	------

Technical data

Operation and display

Type of display	LED
Number of LEDs	5 Piece(s)
Operational controls	2 command devices
Function of the operational control	Button illuminates with icon "Acknowledge", blue Button illuminates with icon "Request", white

Environmental data

Ambient temperature, operation	-20 ... 50 °C
Ambient temperature, storage	-40 ... 75 °C

Certifications

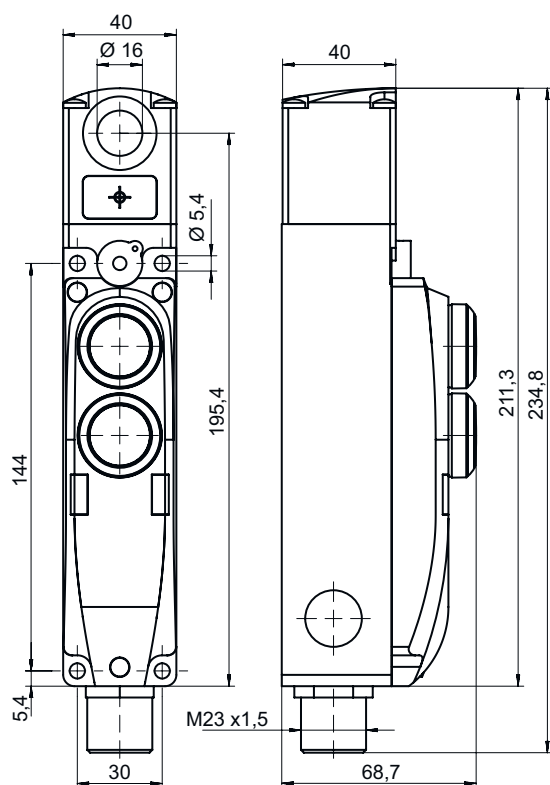
Degree of protection	IP 65
Certifications	c UL US ECOLAB TÜV Süd

Classification

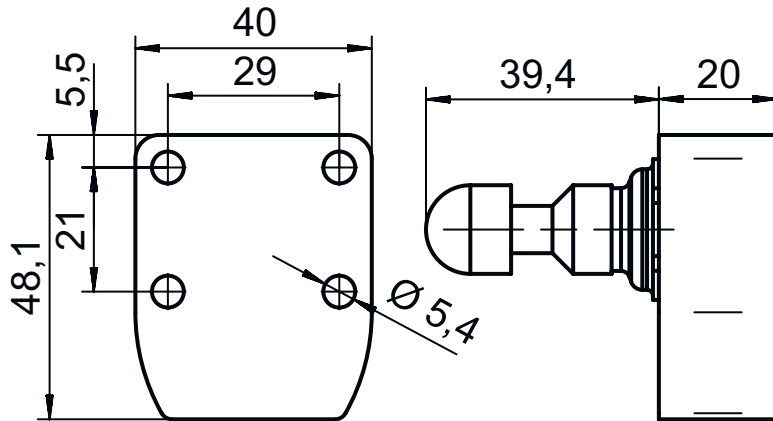
eCl@ss 5.1.4	27272603
eCl@ss 8.0	27272603
eCl@ss 9.0	27272603
eCl@ss 10.0	27272603
eCl@ss 11.0	27272603
ETIM 5.0	EC002593
ETIM 6.0	EC002593
ETIM 7.0	EC002593

Dimensioned drawings

All dimensions in millimeters



Dimensioned drawings

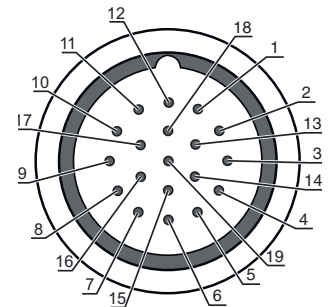


Electrical connection

Connection 1

Function	Connection with PLC Contact connection Voltage supply
Type of connection	Connector
Thread size	M23
Type	Male
Material	Metal
No. of pins	19 -pin
Encoding	A-coded

Pin	Pin assignment	Conductor color
1	I4 activation input: electromagnet	Violet
2	IS1 safe input	Red
3	IS2 safe input	Gray
4	OS1 safe output	Blue
5	OS2 safe output	Red
6	A1 +24 V	Green
7	I3 programming input / control input for reset	Blue
8	O3 signal output: protective-device closed	Gray
9	O4 signal output: protective-device locked	Pink
10	Device 3, contact 1	Green
11	Device 3, contact 1	White
12	n.c.	White
13	Device 3, contact 2	Yellow
14	Device 3, contact 2	Brown
		Yellow
		Brown
		Green




Electrical connection


Pin	Pin assignment	Conductor color
15	Device 2, contact 1	White
16	LED2 +24 V	Yellow
17	Device 1, contact 1	Pink
18	LED1 +24 V	Brown
		Gray
19	A2 +0 V	Brown

Accessories

Connection technology - Connection cables

	Part no.	Designation	Article	Description
	50134971	KD U-M23-JA-P1-050	Connection cable	Connection 1: Connector, M23, Axial, Female, A-coded, 19 -pin Connection 2: Open end Shielded: No Cable length: 5,000 mm Sheathing material: PUR

Actuator

	Part no.	Designation	Article	Description
	50132062 **	AC-L300-UCA	Actuator	Code type: Unique code Encoding level: high, EN ISO 14119 Dimensions: 40 mm x 48.1 mm x 59.4 mm Housing color: Red Type of fastening: Through-hole mounting

** Included in delivery contents

Note



↪ A list with all available accessories can be found on the Leuze website in the Download tab of the article detailed page.