

Technical Questionnaire **Planning of a Contour Measurement System CMS 700i**

Generals

Company
Name
Date (M/D/YYYY)
Project
Application description
Number of planned systems
Month/year of realization

Objects

Shape of objects

Length of the objects in mm
 (in conveyor direction)

Minimum: ①

Maximum: ②

Width of the objects in mm

Minimum: ③

Maximum: ④

Height of the objects in mm

Minimum: ⑤ □ ≥ 5mm □ ≥ 50mm Maximum: ⑥

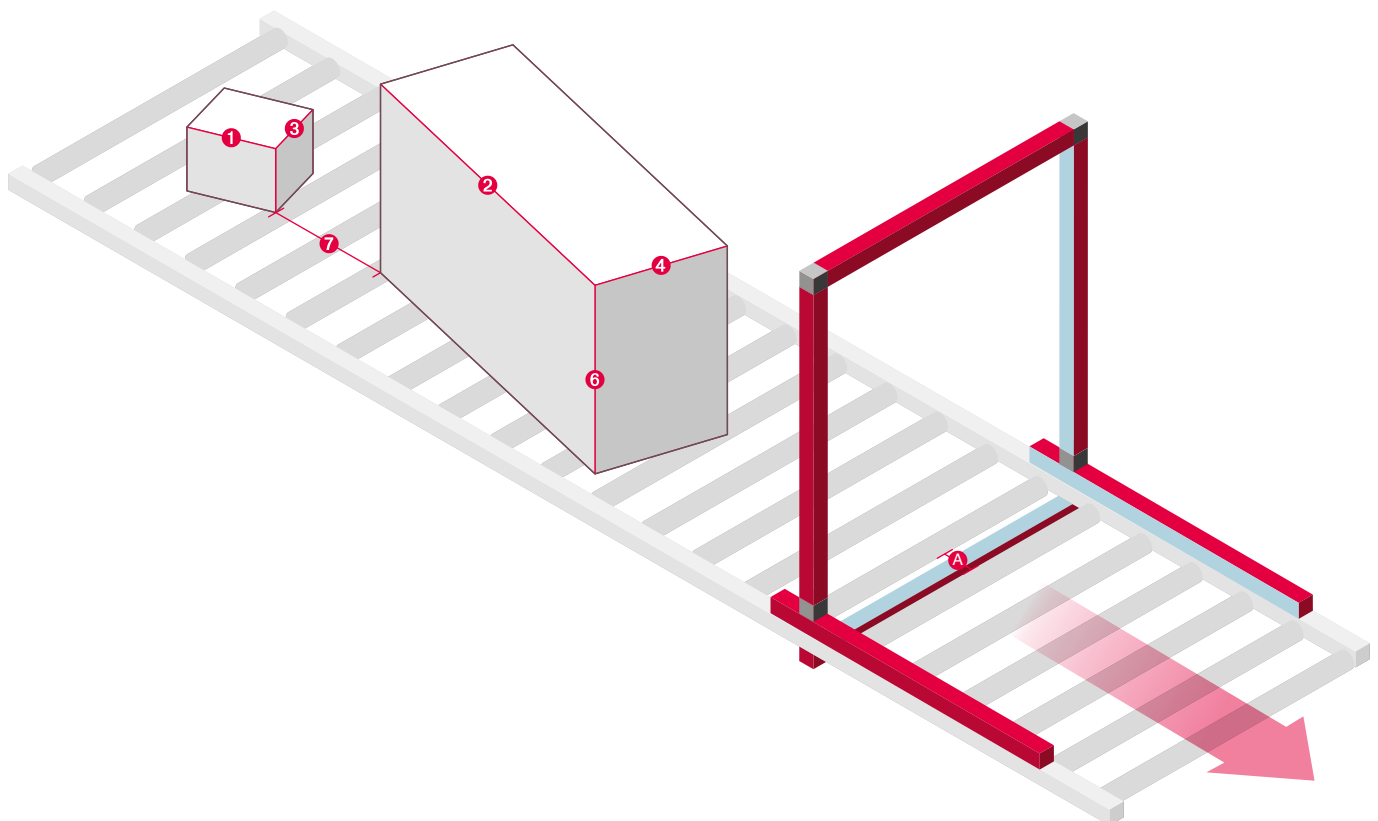
Optical characteristic of surface

Minimum gap between 2 objects in mm

⑦

Gap between conveyors/rolls in mm

Ⓐ ≥ 10mm



Data

Resolution

5 mm

Interface from CMS 700i to PLC

Profinet Ethernet TCP/IP

Integration of external devices

.....

Interface from ext. device to CMS 700i

Ethernet TCP/IP

Conveyor and mounting situation

Type of conveyor rolls belt _____

Are the objects guided on one side? yes no if no, maximum inclination [°]: _____

Constant transport speed [m/s] _____

Maximum transport speed [m/s] _____

Conveyor dimensions

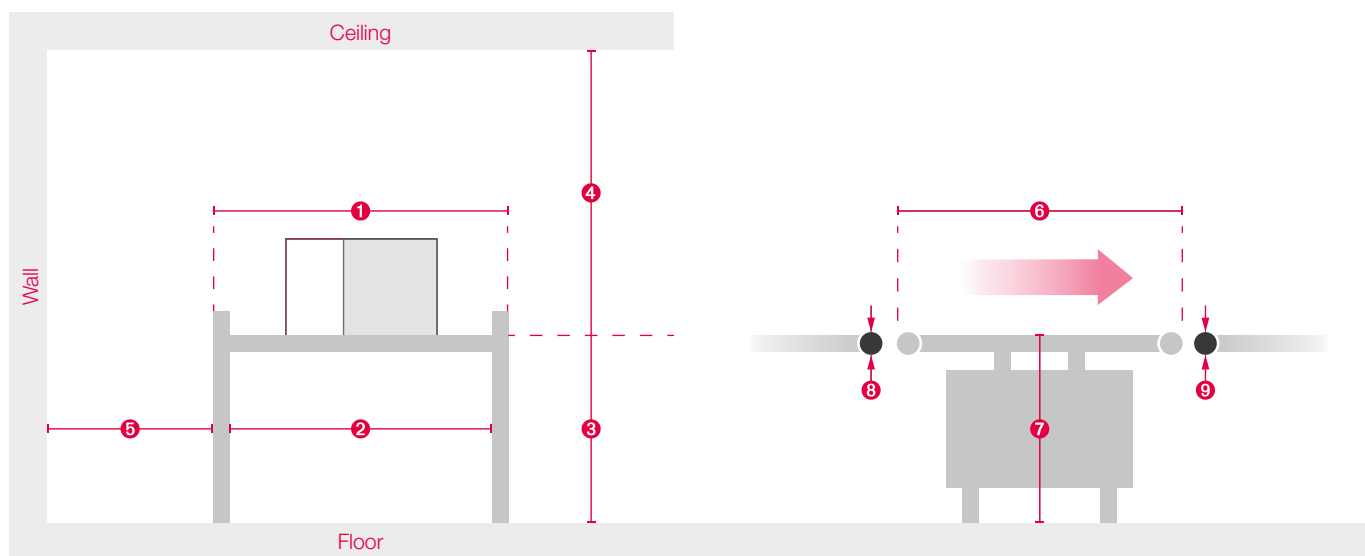
Overall width in mm **1** _____

Effective transport width in mm **2** _____

Conveyor height in mm **3** _____

Ceiling height in mm **4** _____

Free space beside conveyor in mm **5** _____
(min 900mm right and left)



Scale dimensions

Overall length in mm **6** _____

Working height in mm **7** _____

Diameter conveyor roll in mm **8** _____

Diameter conveyor roll in mm **9** _____

Miscellaneous

Power supply 100....263 VAC, 50...60 Hz

Temperature range 0...+50°C -30...+50°C

Additional comments: