

## Technical data sheet

### Transponder

Part no.: 50032396

TFI 03 1101.120

#### Contents

- Technical data
- Dimensioned drawings
- Notes
- Further information
- Accessories



Figure can vary



## Technical data

### Basic data

Series	TFI
Suitable for	RFI
Chip	EM4102
Working frequency	0.125 MHz

### Electrical data

#### Performance data

Memory access	Read only
Memory size	8 B
Memory block	1 Piece(s)
Memory block size	1 B
Storage time	100 ms

### Certifications

Standards applied	ISO 15693
-------------------	-----------

### Mechanical data

Design	Disc
Thickness	2.1 mm
Outer diameter	30 mm
Inner diameter	3.2 mm
Housing material	Plastic
Net weight	2.8 g
Type of fastening	Through-hole mounting

### Environmental data

Ambient temperature, operation	-20 ... 70 °C
Ambient temperature, storage	-40 ... 90 °C

### Certifications

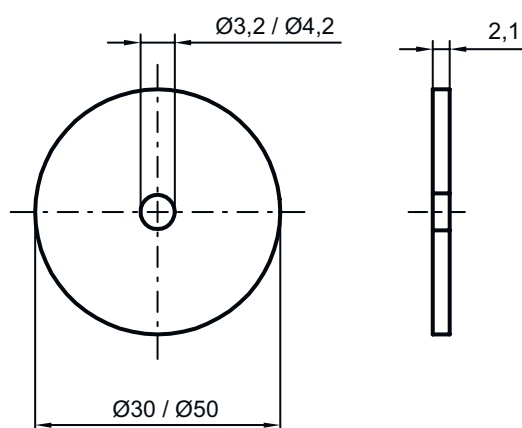
Degree of protection	IP 65
----------------------	-------

### Classification



Customs tariff number	85235200
eCl@ss 5.1.4	27289200
eCl@ss 8.0	27289290
eCl@ss 9.0	27280402
eCl@ss 10.0	27280402
eCl@ss 11.0	27280402
ETIM 5.0	EC002498
ETIM 6.0	EC002996
ETIM 7.0	EC002996

## Dimensioned drawings

All dimensions in millimeters



## Notes


 <b>Observe intended use!</b>	
	<ul style="list-style-type: none"> <li>⌘ This product is not a safety sensor and is not intended as personnel protection.</li> <li>⌘ The product may only be put into operation by competent persons.</li> <li>⌘ Only use the product in accordance with its intended use.</li> </ul>

## Further information

- Under certain circumstances, metal in the reading field reduces the operating range considerably.

## Accessories

### Mounting technology - Other

	Part no.	Designation	Article	Description
	50107102	Spacer 30 HT	Spacer	Design, housing: Hollow cylinder Outer diameter: 30 mm Inner diameter: 5 mm Housing material: Plastic, PA 66

Note	
	<ul style="list-style-type: none"> <li>⌘ A list with all available accessories can be found on the Leuze website in the Download tab of the article detailed page.</li> </ul>