

Technical data sheet Signaling column element

Part no.: 50142455

A7-MH1

Contents

- Technical data
- Dimensioned drawings
- Notes
- Accessories



Figure can vary



Technical data

Basic data

Series	A7
--------	----

Mechanical data

Design	Cylindrical
Dimension (Ø x L)	70 mm x 47 mm
Housing material	Plastic
Net weight	85 g
Housing color	Black
Design of mounting device	Horizontal mounting
Type of fastening, at system	Screw type / horizontal
Module holder	One side

Environmental data

Ambient temperature, operation	-10 ... 60 °C
--------------------------------	---------------

Certifications

Degree of protection	IP 66, Only when mounted on a housing with the same degree of protection
----------------------	--

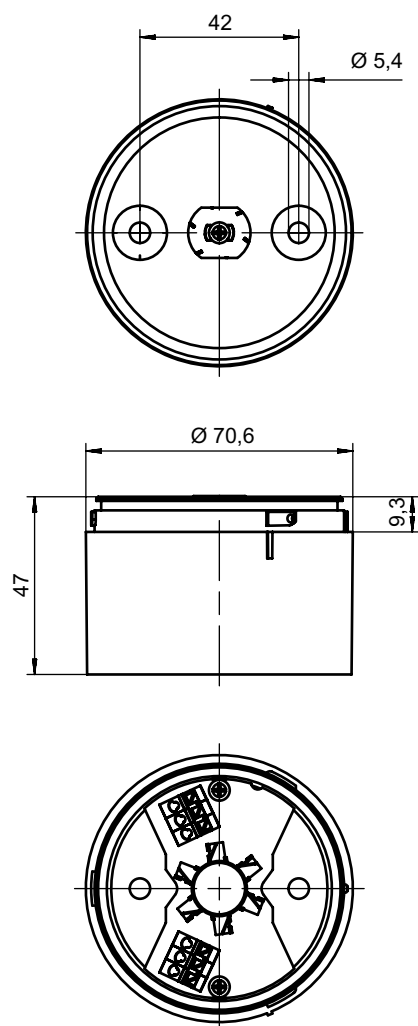
Certifications	CSA
----------------	-----

Classification

Customs tariff number	85318070
eCl@ss 5.1.4	27371235
eCl@ss 8.0	27371235
eCl@ss 9.0	27371234
eCl@ss 10.0	27371235
eCl@ss 11.0	27371235
ETIM 5.0	EC001154
ETIM 6.0	EC001154
ETIM 7.0	EC001154

Dimensioned drawings

All dimensions in millimeters



Notes

Observe intended use!	
	<ul style="list-style-type: none"> ⌘ This product is not a safety sensor and is not intended as personnel protection. ⌘ The product may only be put into operation by competent persons. ⌘ Only use the product in accordance with its intended use.

Accessories

Mounting technology - Mounting brackets

	Part no.	Designation	Article	Description
	50142896	A7-MW2	Signaling column element	Design: L shape Version: Angle, L-shape Fastening, at system: Through-hole mounting

General

	Part no.	Designation	Article	Description
	50135462	A7-V1-BZ1-M	Signaling column element	Signaling: Acoustic Current consumption, max.: 70 mA Design: Cylindrical Diameter: 70 mm Fastening: Bayonet system Operational controls: DIP switch, 225° potentiometer Ambient temperature: -10 ... 60 °C Degree of protection: IP 66 Tone type: Continuous or pulse tone Sound pressure: 100 dB Number of tones: 8 Piece(s)
	50138151	A7-V1-BZ2-S	Signaling column element	Signaling: Acoustic Current consumption, max.: 20 mA Design: Cylindrical Diameter: 70 mm Fastening: Bayonet system Operational controls: 225° potentiometer Ambient temperature: -10 ... 60 °C Degree of protection: IP 66 Tone type: Continuous tone Sound pressure: 105 dB Number of tones: 1 Piece(s)
	50135457	A7-V1-DS-R-T	Signaling column element	Signaling: Optical Current consumption, max.: 50 mA Design: Cylindrical Diameter: 70 mm Fastening: Bayonet system Illuminant: LED/24V Signal image: Continuous light Lens color: Red Angle of radiation: 360° Ambient temperature: -10 ... 60 °C Degree of protection: IP 66

Accessories

Note



↪ A list with all available accessories can be found on the Leuze website in the Download tab of the article detailed page.